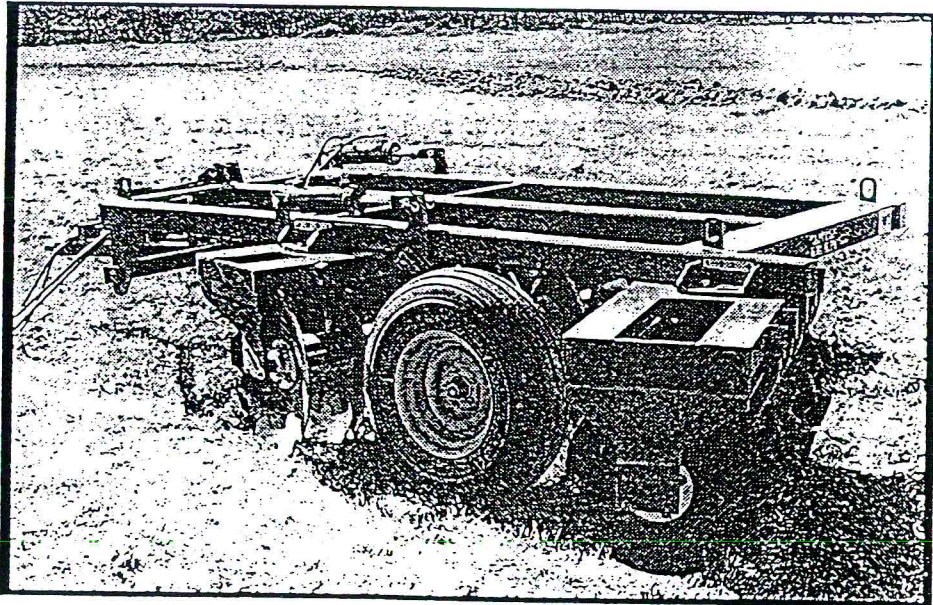


# GRIZZLY

## SPARE PARTS MANUAL

LITTLE GRUMPY

SERIES III



## CONTENTS

<u>NO.</u>	<u>PART NO.</u>	<u>DESCRIPTION</u>	<u>PAGE</u>
1		SPECIFICATIONS - GANG AXLES - GANG BOLTS - RIM & TYRE ASSY - OPTIONS	1
2	GCC024	ASSEMBLY KIT PARTS LIST	2
3	GCC024	ASSEMBLY KIT	3
4	GCC024	MAIN FRAME LIST	4
5	GCC024	MAIN FRAME	5
6	GHEA0000	PULL ASSEMBLY PARTS LIST	6
7	GHEA0000	PULL ASSEMBLY	7
8	GJEA0012	WHEEL LIFT ASSEMBLY PARTS LIST	8
9	GJEA0012	WHEEL LIFT ASSEMBLY	9
10	WMCAA000	HUB AND STUB ASSEMBLY PARTS LIST	10
11	WMCAA000	HUB AND STUB ASSEMBLY	11
12	GANG NO.1	GANG NO.1 PARTS LIST	12
13	GANG NO.1	GANG NO.1	13
14	GANG NO.2	GANG NO.2 PARTS LIST	14
15	GANG NO.2	GANG NO.2	15
16	GANG NO.3	GANG NO.3 PARTS LIST	16
17	GANG NO.3	GANG NO.3	17
18	HFCAB000	HYDRAULIC SYSTEM PARTS LIST	18
19	HFCAB000	HYDRAULIC SYSTEM	19
20	GDEG0001	OPTIONAL HYDRAULIC PITCH CONTROL	19
21		*CHANGES	20

LITTLE GRUMPY SERIES II

SPECIFICATIONS

	<u>LG20</u>	<u>LG24</u>	
WORKING WIDTH	2.3M (7'6")	2.7M (7'6")	
TRANSPORT WIDTH	2.8M (9'6")	2.3M (11'6")	

GANG AXLE USED		GANG BOLT USED	
NO. OF DISCS	PART NO.	NO. OF DISCS	PART NO. M16
4	MJBHA911A	4	FAAHA765
5	MJBHB149A	5	FAAHB000
6	MJBHB387A	6	FAAHB240
7	MJBHB625A	7	FAAHB470

TOOL KIT (SUPPLIED WITH PLOUGH)

<u>PART NO.</u>	<u>DESCRIPTION</u>	<u>QTY.</u>
CHAGH000	DISC LOCK SPANNER	1
TDFSA000	30MM COMBINATION SPANNER	1
TFCBMPOO	TOOL ASSY 19MM & 24MM	1

RIM AND TYRE ASSEMBLY

1.       WSBAAA00               5.5 X 14 6 PLY RIM AND TYRE ASSY
  - 1:1       WEBGK000               5.5 X 14 RIM
  - 1:2       WGCGS000               7.5 X 14 TYRE
  
2.       WSBBBA00               8 X 14 6 PLY RIM AND TYRE ASSY
  - 1:1       WECGT000               8 X 14 RIM
  - 1:2       WFDGW000               9.5 X 14 TYRE

OPTION

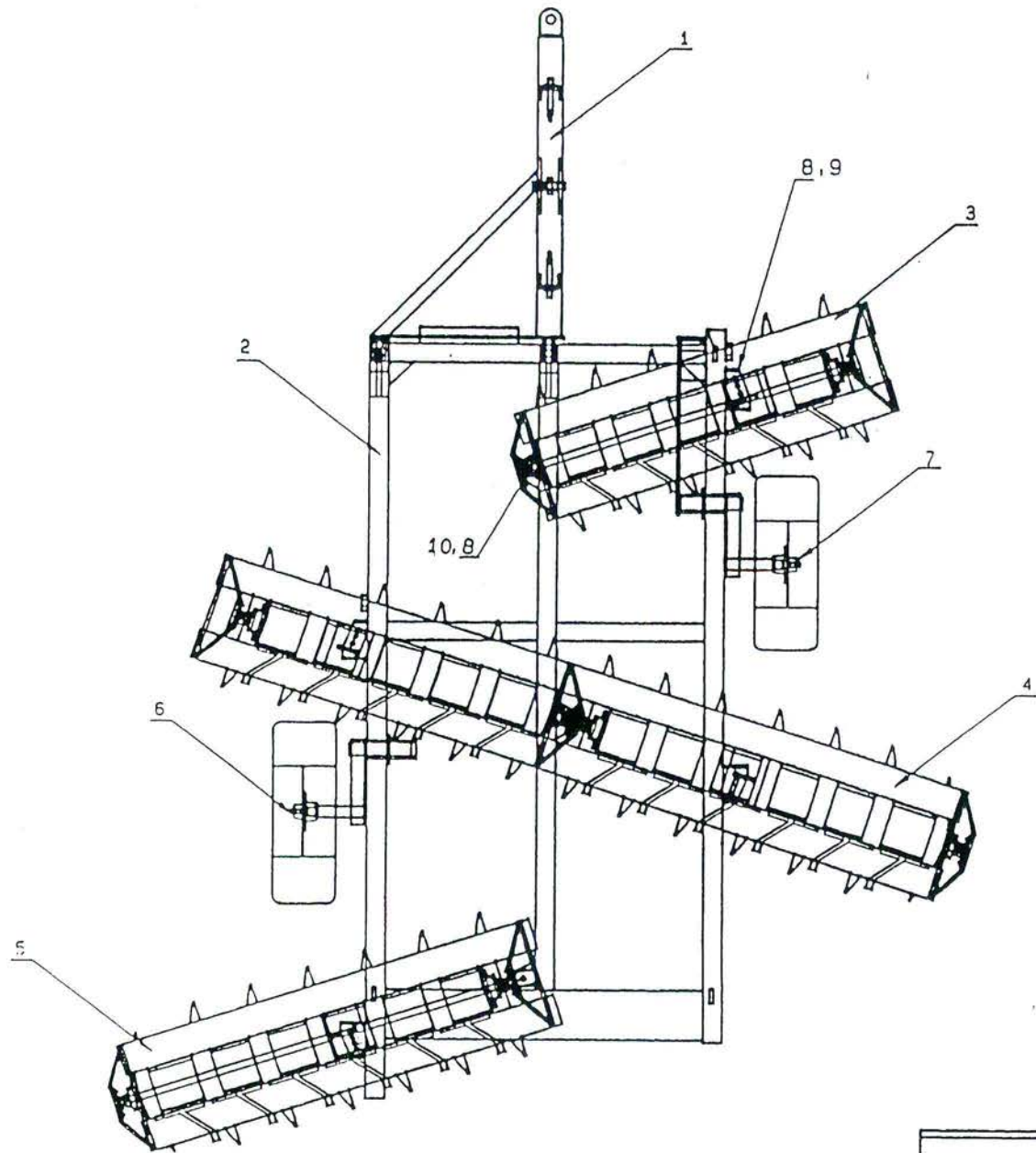
GDEG0001 - HYDRAULIC PITCH CONTROL - REFER PAGE 19

REPAIR KITS

CMCA0000 - LITTLE GRUMPY WHEEL ASSEMBLY PIVOT REPAIR KIT

LITTLE GRUMPY SERIES II

<u>NO.</u>	<u>PART NO.</u>	<u>DESCRIPTION</u>	<u>QTY.</u>
1	GHCO0001	PULL ASSEMBLY	1
2	GCC024	MAIN FRAME	1
3	GANG NO.1	GANG NO.1	1
4	GANG NO.2	GANG NO.2	1
5	GANG NO.3	GANG NO.3	1
6	GJCA0011	WHEEL LIFT ASSEMBLY L.H.	1
7	GJCA0012	WHEEL LIFT ASSEMBLY R.H.	1
8	FFBJA000	NUT NYLOC M20	7
9	FWBJA055	BOLT M20	4
10	FABJA065	BOLT M20	3



TOP VIEW

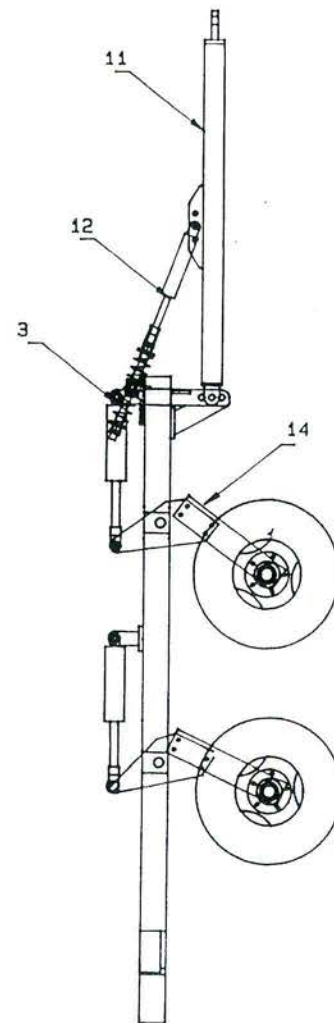
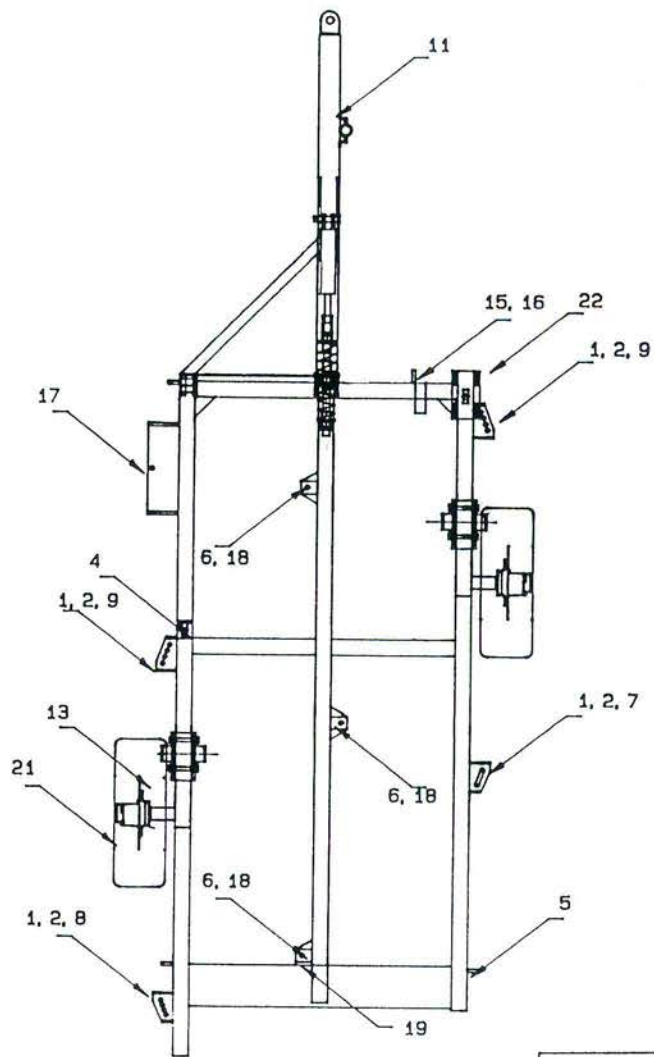
GRIZZLY ENGINEERING PTY. LTD		
TITLE: L/GRUMPY SERIES II.24 PLATE ASSY KIT.		
PART NO.		
SCALE: 1:20.361	DATE: 2-11-89	DRG NO: GCC024

LITTLE GRUMPY SERIES II

MAIN FRAME B.O.M.

<u>NO.</u>	<u>PART NO.</u>	<u>DESCRIPTION</u>	<u>QTY.</u>
1	CABCE000	SLOT GUSSET (SMALL)	4
2	CABCE001	SLOT GUSSET (LARGE)	4
3	CBBCH000	FRAME LEVEL LUG	1
4	CBBCE003	RAM LUG	1
5	CBBZH000	LIFTING LUG	4
6	CJAZE002	GANG PIVOT GUSSET	5
7	LACHA096	SLOT	1
8	LBCGA076	SERIES OF HOLES	1
9	LBCGA095	SERIES OF HOLES	2
10	CGBCJ000	PULL POST	2
11	GHEA0000	PULL ASSEMBLY	1
12	GDEG0004	LEVELING ARM ASSEMBLY	1
13	GJEA0012	WHEEL LIFT ASSEMBLY L.H.	1
14	GJEA0012	WHEEL LIFT ASSEMBLY R.H.	1
15	GNBEC000	DEPTH GAUGE	1
16	GNBEC001	DEPTH POINTER	1
17	GNBHE000	TOOL BOX	1
18	MAHJA080B	GANG PIVOT	3
19	MAEHA055	10mm X 50 X 55 FLAT	1
20	MAGJA080	16mm X 65 X 80 FLAT	2
21	WSBBBA00	TYRE AND RIM ASSEMBLY	2
22	CCBCG003/CBBEM000	ADJUSTABLE RAM LUG	1

NOTE: GDEG0003 OPTIONAL HYDRAULIC PITCH CONTROL CAN BE FITTED IN LIEU OF ITEM 12.



TOP VIEW

ALL DIMENSIONS IN MILLIMETERS  
TOLERANCES  
UNLESS OTHERWISE STATED

LINEAR + 0.5  
- 0.5

ANGULAR + 0.5  
- 0.5

AS1100



NO SCALE

SCALE 15-10-93

DATE SHAUN

DRAWN

CHECKED

GRIZZLY ENGINEERING

GRUMPY SERIES 111 H/M

GCC2024B

DRAWING N° 6662024B

PART N°

DRAWING N°

5

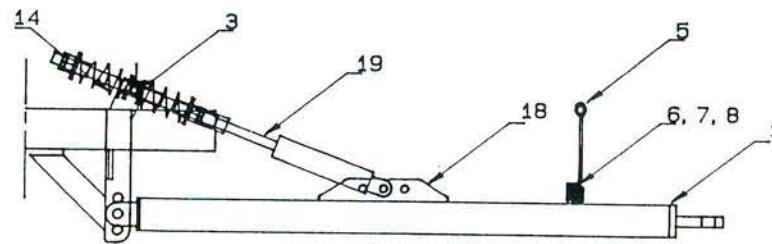
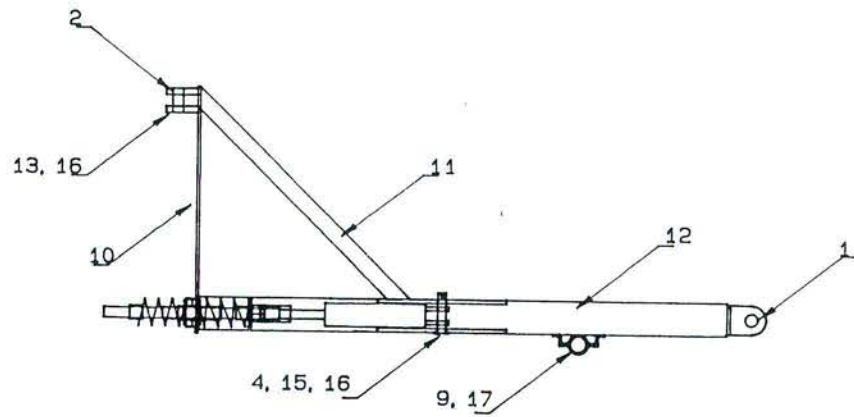
LITTLE GRUMPY SERIES II

PULL ASSEMBLY

<u>NO.</u>	<u>PART NO.</u>	<u>DESCRIPTION</u>	<u>QTY.</u>
1	CBCCP000	PLATE 32mm PULL TONGUE C	1
2	CBCFJ000	PLATE 20mm PULL BACK LUG F,G,H	4
3	FABKA050	BOLT M24 X 50 GRADE 8.8 ZP	2
4	FMCJG000	WASHER 24 ID X 40 OD X 4.5mm STRL	4
5	FHKNA440	SPRING TYPE HOSE HOLDER	1
6	FFBJA000	NUT 20mm NYLOC	1
7	FABJA040	BOLT, M20 X 40	1
8	FMAJE000	F/WASHER 20ID X 41OD X 3mm	1
9	GKEE0001	PARKING JACK CLAMP GRUMPY	1
10	MADMA770	FLAT 75 X 8 (770mm) LONG	1
11	MGGFA931	SHS 51 X 51 X 4.9 (931mm) ANGLE	1
12	MHHHB634	RHS 102 X 76 X 6.3 (1.634mm)	1
13	FGBPA095	PULL PIN	2
14	CBBCH000	FRAME LEVEL LUG	2
15	FGBKA135	PIN 1" (135mm)	1
16	FKAEA000	6mm LYNCH PIN	4
17	GKEE0000	GRUMPY PARKING JACK	1
18	CBCEG000	PULL LEVEL LUG	2
19A	GDEG0004	LEVEL ARM ASSEMBLY	1
19B	GDEG0003	HYDRAULIC PITCH CONTROL	1

NOTE: ITEMS 9 AND 17 FITTED TO 28 PLATE TO 40 PLATE GRUMPYS ONLY.





7

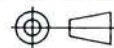
ISSUE	DATE	ZONE	CHANGE	BY	CKD
AMENDMENTS					

ALL DIMENSIONS IN MILLIMETERS  
TOLERANCES  
UNLESS OTHERWISE STATED

LINEAR + 0.5  
- 0.5

ANGULAR + 0.5  
- 0.5

AS1100



SCALE NO SCALE

DATE 22-6-94

DRAWN J. SAVILLE

CHECKED

GRIZZLY ENGINEERING

TITLE

GRUMPY PULL ASSEMBLY

PART N°GHEA0000 .

DRAWING N°GHEA0000

LITTLE GRUMPY SERIES II  
WHEEL LIFT ASSEMBLY GJEA0012

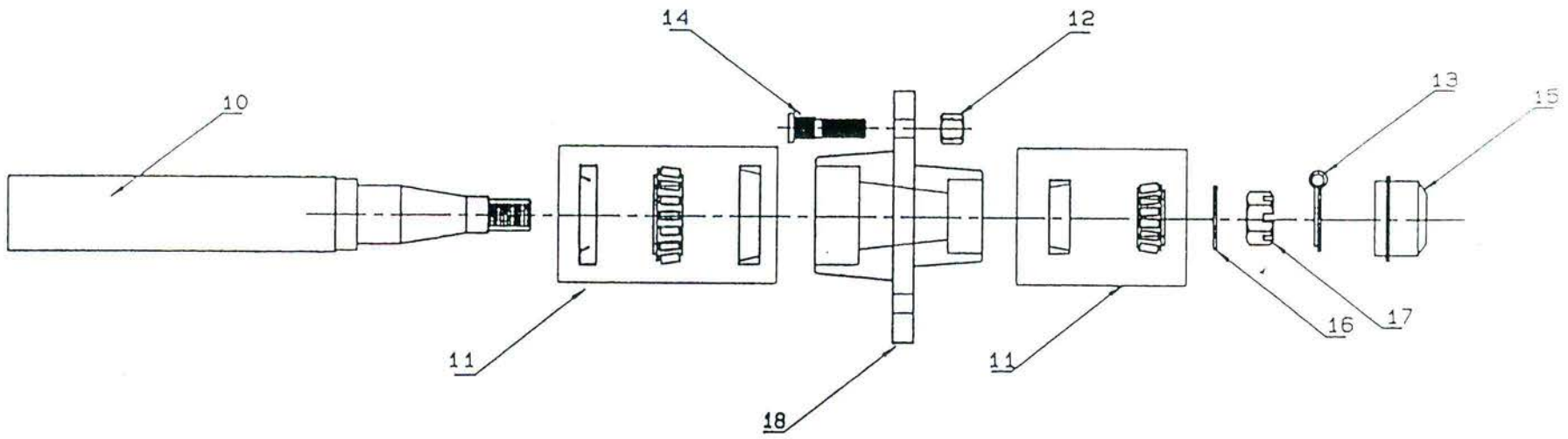
<u>NO.</u>	<u>PART NO.</u>	<u>DESCRIPTION</u>	<u>QTY</u>
1.	CJAZG000	TOP AXLE GUSSET	1
2.	GAEEG001	SIDE AXLE GUSSET	1
3.	FABHA150	BOLT M16 X 150	4
4.	FFBHA000	NUT M16 NYLOC	4
5.	GJEB0003	SIDE PLATE ASSEMBLY,	2
6.	MAAJA120	END CAP	1
7.	MKFNA638	LEG BEAM ASSEMBLY	1
8.	WACAA000	H30 STUB AXLE	1
9.	WJCAA000	H30 HUB	1
10.	WKCA0000	H30 DUST COVER	1
11.	BJEGA035	VESCONITE BUSH	2



LITTLE GRUMPY SERIES II

H30 HUB AND STUB ASSEMBLY - WMCAA000

<u>NO.</u>	<u>PART NO.</u>	<u>DESCRIPTION</u>	<u>QTY.</u>
10	WACAAB00	H30 STUB AXLE	1
11	BACAA000	H30 BEARING KIT	1
12	FFFFA000	WHEEL NUT	5
13	FKCDA040	SPLIT PIN	1
14	FDBFA043	WHEEL STUD	5
15	WKCA0000	GREASE CAP	1
16	FMAJCG00	WASHER	1
17	FFCHA000	AXLE NUT	1
18	WJCAA000	H30 HUB WITH BEARING FITTED	1



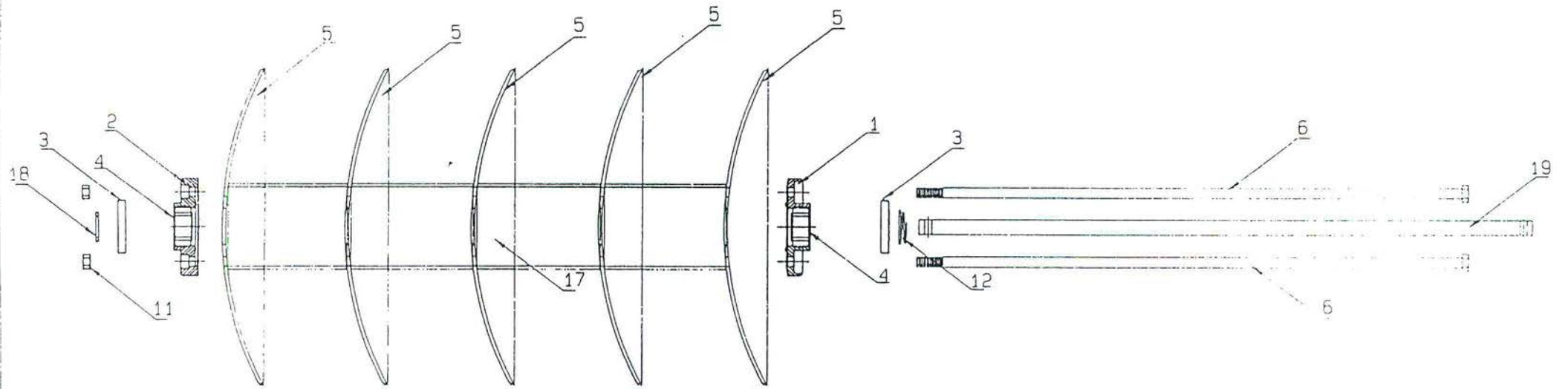
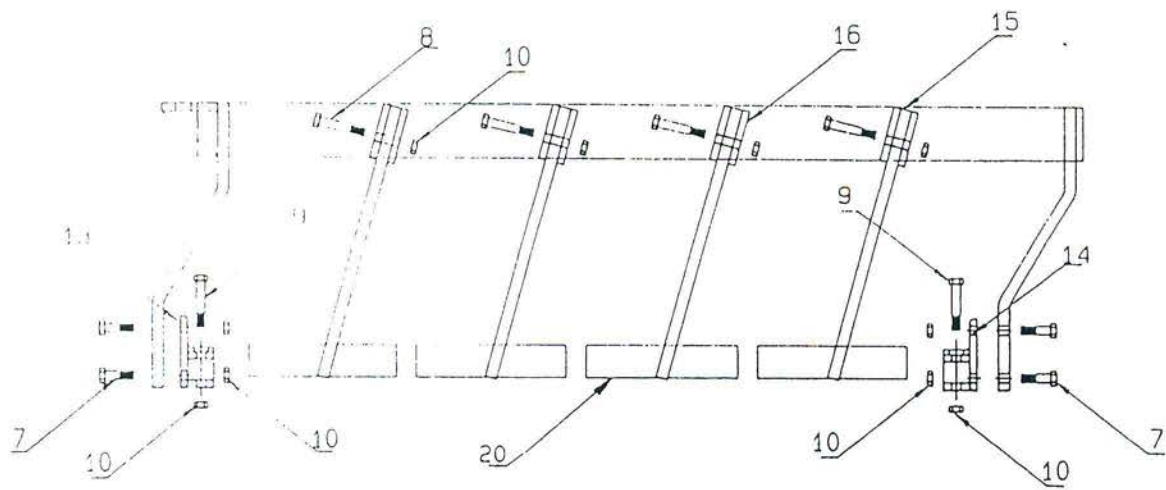
11

			ALL DIMENSIONS IN MILLIMETERS. TOLERANCES				GRIZZLY ENGINEERING.			
			LINEAR ± 0.8		DRAWN		6. BAILEY		TITLE:	
			ANGULAR ± 0.8		CHECKED		----		HT HUB & STUB ASSY.	
ISSUE DATE ZONE CHANGE BY CKD			AS1100		APPROVED		----		SCALE NO SCALE	
AMENDMENTS.			AS1100		DATE		17-5-90		DRAWING NO. HTASSY	
									A3	

GANG NO. 1

<u>NO.</u>	<u>PART NO.</u>	<u>DESCRIPTION</u>
1	BEB080B0	LEAD BEARING HOUSING
2	BFB080B0	THRUST BEARING HOUSING
3	BNSTA000	METAL COVER FOR 28mm BEARING
4	BPAAB001	BEARING 28.57 ID X 80 OD
5	D24DSB03	DISC 24" X 6mm SCALLOPED 4BLT
6	FAAHB000	BOLT M16 X 1000 GRADE 5.5
7	FABGA040	BOLT M12 X 40 GRADE 8.8
8	FABGA050	BOLT M12 X 50 GRADE 8.8
9	FABGA065	BOLT M12 X 65 GRADE 8.8
10	FFBGA000	NUT NYLOC M12
11	FFBHA000	NUT NYLOC M16
12	FHCPA035	SPRING CONICAL
13	GECDBO00	AXLE CARRIER LEFT (CAST)
14	GECEBO00	AXLE CARRIER RIGHT (CAST)
15	GFBA0210	SCRAPER ASSY LEFT
16	MADGA079A	SCRAPER LUG
17	MECPA230	230 SPOOL
18	MGFEA010	10mm SPACER
19	MJBHB149A	22mm 5 DISC GANG AXLE
20	MCCHA210	SCRAPER PAD

NO. OF DISCS	GANG AXLE USED	NO. OF DISCS	GANG BOLT USED
	PART NO.		PART NO. M16
4	MJBHA911A	4	FAAHA765
5	MJBHB149A	5	FAAHB000
6	MJBHB387A	6	FAAHB240
7	MJBHB625A	7	FAAHB470

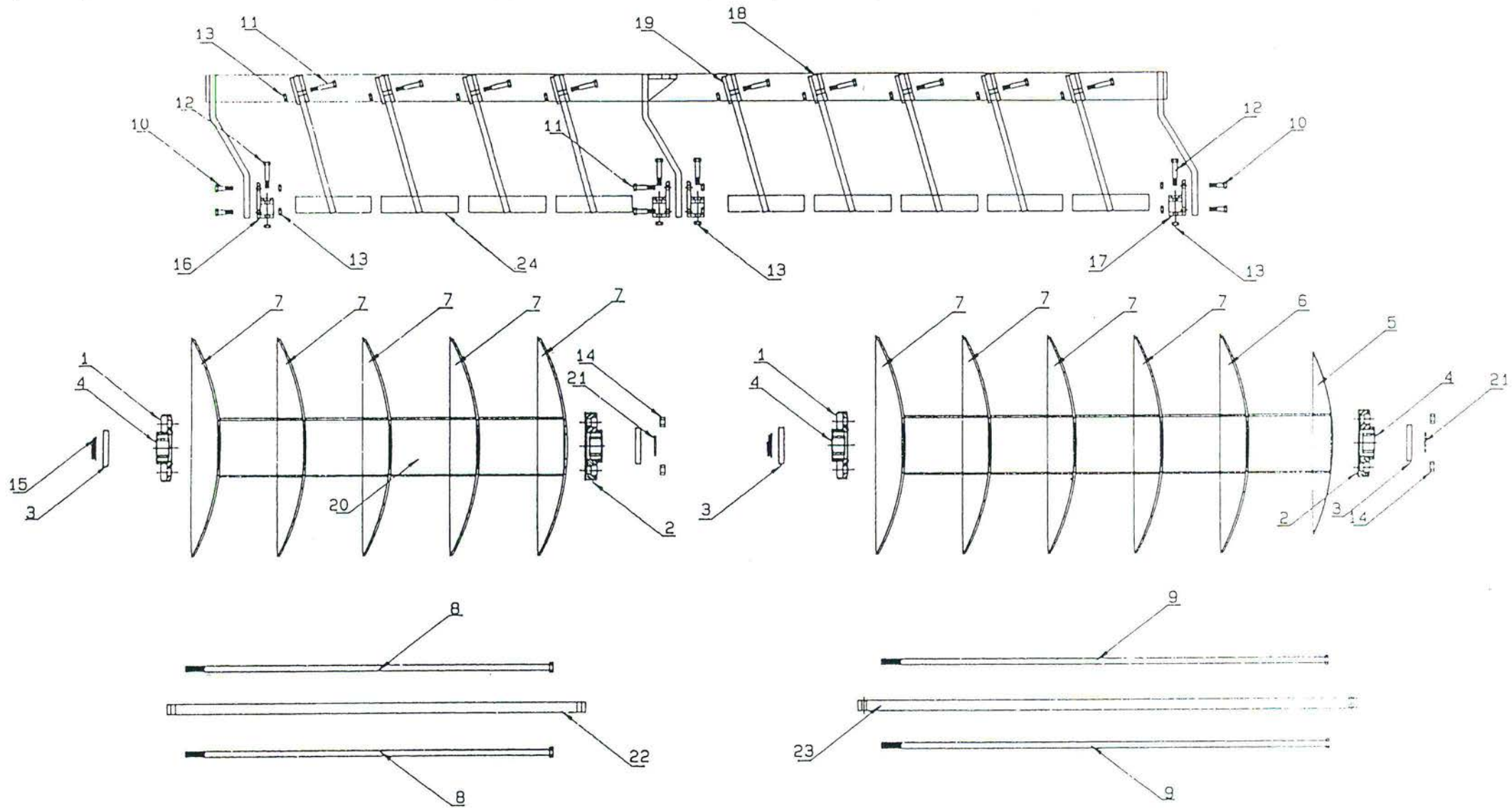


GRIZZLY ENGINEERING PTY			
TITLE: SPARE PARTS- L/GRUMP			
PART NO.		20 PLATE	
SCALE: 1:7.684	DATE: 6-11-89	DRG NO	GANG. 1

GANG NO. 2

<u>NO.</u>	<u>PART NO.</u>	<u>DESCRIPTION</u>
1	BEB080B0	LEAD BEARING HOUSING
2	BFB080B0	THRUST BEARING HOUSING
3	BNSTA000	METAL COVER FOR 28mm BEARING
4	BPAAB001	BEARING 28.57 ID X 80 OD
5	D20BSB03	DISC 20" X 4mm FILLER 4BLT
6	D22CSB06	DISC 22" X 5mm SCALLOPED 4BLT
7	D24DSB03	DISC 24" X 6mm SCALLOPED 4BLT
8	FAAHB000	BOLT M16 X 1000 GRADE 5.5
9	FAAHB240	BOLT M16 X 1240 GRADE 5.5
10	FABGA040	BOLT M12 X 40 GRADE 8.8
11	FABGA050	BOLT M12 X 50 GRADE 8.8
12	FABGA065	BOLT M12 X 65 GRADE 8.8
13	FFBGA000	NUT NYLOC M12
14	FFBHA000	NUT NYLOC M16
15	FHCPA035	SPRING CONICAL
16	GEADB000	AXLE CARRIER LEFT (CAST)
17	GECEB000	AXLE CARRIER RIGHT (CAST)
18	GFBBA210	SCRAPER ASSY RIGHT
19	MADGA079A	SCRAPER LUG
20	MECPA230	230 SPOOL
21	MGFEA010	10mm SPACER
22	MJBHB149A	28mm 5 DISC GANG AXLE
22, 23	MJBHB387A	28mm 6 DISC GANG AXLE
23	MJBHB625B	28mm 7 DISC GANG AXLE
24	MCCHA210	SCRAPER PAD

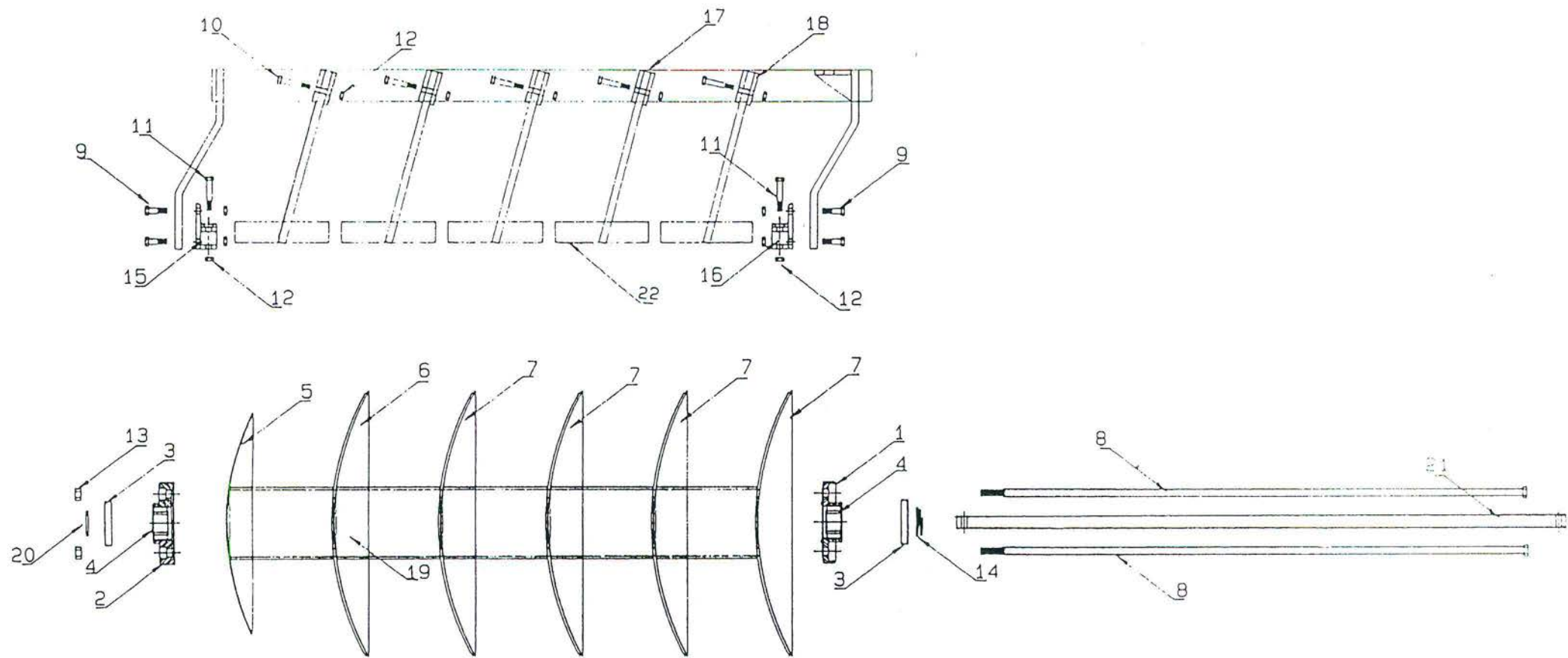




GRIZZLY ENGINEERING	
TITLE: SPARE PARTS-L/GRUMPY	
PART NO.	20 PLATE
SCALE: 1:10.806	DATE: 7-11-89
	SANG 2

GANG NO. 3

<u>NO.</u>	<u>PART NO.</u>	<u>DESCRIPTION</u>
1	BEB080B0	LEAD BEARING HOUSING
2	BFB080B0	THRUST BEARING HOUSING
3	BNSTA000	METAL COVERING FOR 28mm
4	BPAAB001	BEARING 28.57 ID X 80 OD
5	D20BSB03	DISC 20" X 4mm FILLER 4BLT
6	D22CSB06	DISC 22" X 5mm SCALLOPED 4BLT
7	D24DSB03	DISC 24" X 6mm SCALLOPED 4BLT
8	FAAHB240	BOLT M16 X 1240 GRADE 5.5
9	FABGA040	BOLT M12 X 40 GRADE 8.8
10	FABGA050	BOLT M12 X 50 GRADE 8.8
11	FABGA065	BOLT M12 X 65 GRADE 8.8
12	FFBGA000	NUT NYLOC M12
13	FFBHA000	NUT NYLOC M16
14	FHCPA035	SPRING CONICAL
15	GECEB000	AXLE CARRIER LEFT (CAST)
16	GECEB000	AXLE CARRIER RIGHT (CAST)
17	GFBA0210	SCRAPER ASSY LEFT
18	MADGA079A	SCRAPER LUG
19	MECPA230	230 SPOOL
20	MGFEA010	10mm SPACER
21	MJBHB625B	28mm 7 DISC GANG AXLE
22	MCCHA210	SCRAPER PAD



GRIZZLY ENGINEERING PTY. LTD			
TITLE: SPARE PARTS- L/GRUMPY GANG.3.			
PART NO.		20 PLATE.	
SCALE: 1:9.306	DATE: 7-11-89	DRG NO:	GANG.3.

LITTLE GRUMPY SERIES II  
HYDRAULIC KIT - HFCAB000

<u>NO.</u>	<u>PART NO.</u>	<u>DESCRIPTION</u>	<u>QTY.</u>
1	FABEA045	BOLT M8 X 45 GRADE 8.8	8
2	HGCAD400	HOSE (3,400) HHAKBU07 HHAKMU07	1
3	HGCAE500	HOSE (4,500) HHAKBU07 HHAKMU07	1
4	HGCCC600	HOSE (2,600) HHAKBU07 BOTH END	1
5	HHABAM07	FITTING U.N O RING J,I,C,M,N	5
6	HHDMNW07	QUICK RELEASE COUPLING 3/4"	4
7	HJBCA000	CLAMP SHELL 3/4-3/4	16
8	HJBFA000	TOP PLATE FOR 3/4 CLAMP	8
9	HRAAA185	TRANSPORT BLOCK (185mm)	1
10	HRBAA235	TRANSPORT BLOCK (235mm)	1
11	HZA300/08	HYDRAULIC CYL. 3" X 8"	1
12	HZA325/08D	HYD.CYL. 3.25" X 8" D/STOPS	1
<u>13</u>	<u>GDEG0001</u>	<u>OPTIONAL HYD PITCH CONTROL</u>	<u>1</u>
14	<b>HYL 250 / 06</b>	<b>HYD CYL 250 x 6 8 1 PINS</b>	1
15	HHABAM07A	FITTING 90° ELBOW/RESTRICTOR	1
16	HGCCC000	HOSE (2,000) HHAKBU07 HHAKMU07	1
17	HGCCC200	HOSE (2,200) HHAKBU07 HHAKMU07	1



CHANGES - LITTLE GRUMPY SERIES II

REFERENCE		OLD	NEW	DATE OF	SERIAL NO.	NOTES
PAGE	ITEM	PART NO.	PART NO.	CHANGE	OF CHANGE	

Single level Bill of Materials

Stock item	Description	Quantity	R.R.Price
GTC00000	MIN SPARE PARTS FOR L/GRUMPY GRIZ		\$
BACAA000	H25 BEARING KIT 2 BEARING & 1 SEAL	1.0000	27.50 EA
BJEGA035	VESCONITE 50 <sub>ID</sub> X 60 <sub>OD</sub> X 35 MM	4.0000	7.76 EA
BNSTA000	METAL COVER FOR 28MM BEARING USED FOR GANGS	2.0000	4.80 EA
BPAAB001	BEARING 28.57 <sub>ID</sub> X 80 <sub>OD</sub> SPHER SELF ALIGN' SQUARE	2.0000	27.80 EA
FABGA050	BOLT M12 X 50 GRADE 8.8 ZP H/T	4.0000	0.71 EA
FABGA065	BOLT M12 X 65 GRADE 8.8 ZP H/T	4.0000	0.84 EA
FFBGA000	NUT NYLOC M12	8.0000	0.22 EA
FHCPA035	SPRING CONICAL 41 <sub>ID</sub> X 68 <sub>OD</sub> 3mm WIRE FOR DUST COVER	2.0000	1.40 EA
GFBA210	B,C,D & E SCRAPER ASSY LEFT GRUMPY L/GRUMPY H/LINKAGE	1.0000	15.78 EA
GFBBA210	B,D,D & E SCRAPER ASSY RIGHT GRUMPY L/GRUMPY H/LINKAGE	1.0000	15.78 EA
MGFEA010	SHS 38 X 38 X 4 (10MM) LITTLE GRUMPY SPACER SERIES 2	2.0000	1.94 EA
WKCA0000	DUST CAP FOR HT HUB	1.0000	5.00 EA
BPAAB000	BEARING 27.57 X 85.72 CYLINDRICAL (OLD TYPE)		28.40 EA
FHNJA160	SPRING 160MM X 12MM X 57MM		33.00 EA
BEB080B0	LEAD BEARING HOUSING-BEARING FITTED SR'S 2		84.85 EA
BFB080B0	THRUST BEARING HOUSING-BEARING FITTED SR'S 2		84.58 EA