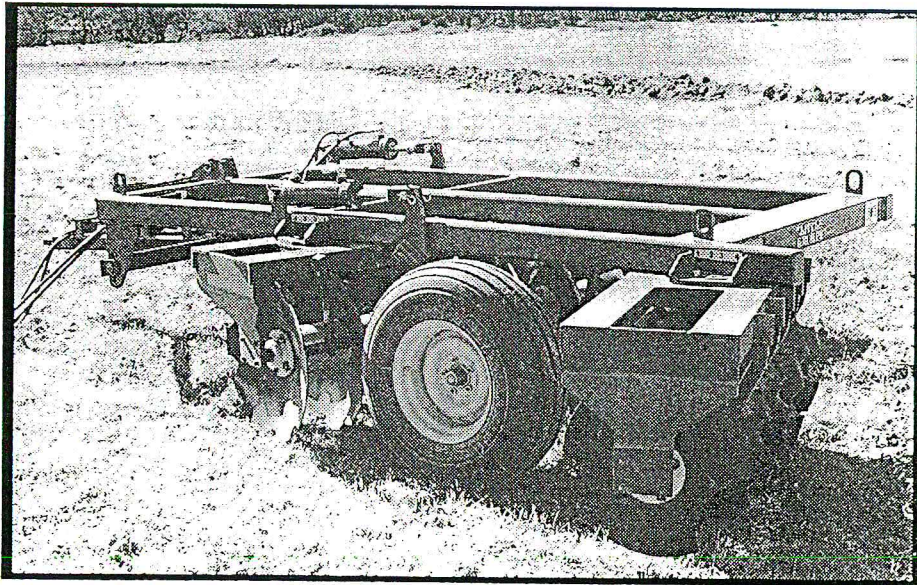


GRIZZLY

SPARE PARTS MANUAL

LITTLE GRUMPY

SERIES II



CONTENTS

<u>NO.</u>	<u>PART NO.</u>	<u>DESCRIPTION</u>	<u>PAGE</u>
1		SPECIFICATIONS - GANG AXLES - GANG BOLTS - RIM & TYRE ASSY - OPTIONS	1
2	GCC024	ASSEMBLY KIT PARTS LIST	2
3	GCC024	ASSEMBLY KIT	3
4	GCC024	MAIN FRAME LIST	4
5	GCC024	MAIN FRAME	5
6	GHC00001	PULL ASSEMBLY PARTS LIST	6
7	GHC00001	PULL ASSEMBLY	7
8	GJCA0011	WHEEL LIFT ASSEMBLY PARTS LIST	8
9	GJCA0011	WHEEL LIFT ASSEMBLY	9
10	WMCAA000	HUB AND STUB ASSEMBLY PARTS LIST	10
11	WMCAA000	HUB AND STUB ASSEMBLY	11
12	GANG NO.1	GANG NO.1 PARTS LIST	12
13	GANG NO.1	GANG NO.1	13
14	GANG NO.2	GANG NO.2 PARTS LIST	14
15	GANG NO.2	GANG NO.2	15
16	GANG NO.3	GANG NO.3 PARTS LIST	16
17	GANG NO.3	GANG NO.3	17
18	HFCAB000	HYDRAULIC SYSTEM PARTS LIST	18
19	HFCAB000	HYDRAULIC SYSTEM	19
20	GDEG0001	OPTIONAL HYDRAULIC PITCH CONTROL	19
21		*CHANGES	20

LITTLE GRUMPY SERIES II

SPECIFICATIONS

	<u>LG20</u>	<u>LG24</u>	
WORKING WIDTH	2.3M (7'6")	2.7M (7'6")	
TRANSPORT WIDTH	2.8M (9'6")	2.3M (11'6")	

GANG AXLE USED		GANG	BOLT USED
NO. OF DISCS	PART NO.	NO. OF DISCS	PART NO. M16
4	MJBHA911A	4	FAAHA765
5	MJBHB149A	5	FAAHB000
6	MJBHB387A	6	FAAHB240
7	MJBHB625A	7	FAAHB470

TOOL KIT (SUPPLIED WITH PLOUGH)

<u>PART NO.</u>	<u>DESCRIPTION</u>	<u>QTY.</u>
CHAGH000	DISC LOCK SPANNER	1
TDFSA000	30MM COMBINATION SPANNER	1
TFCBMPOO	TOOL ASSY 19MM & 24MM	1

RIM AND TYRE ASSEMBLY

- | | | | |
|----|----------|----------|-------------------------|
| 1. | WSBAAA00 | 5.5 X 14 | 6 PLY RIM AND TYRE ASSY |
| | 1:1 | WEBGK000 | 5.5 X 14 RIM |
| | 1:2 | WGCGS000 | 7.5 X 14 TYRE |
| 2. | WSBBBA00 | 8 X 14 | 6 PLY RIM AND TYRE ASSY |
| | 1:1 | WECGT000 | 8 X 14 RIM |
| | 1:2 | WFDGW000 | 9.5 X 14 TYRE |

OPTION

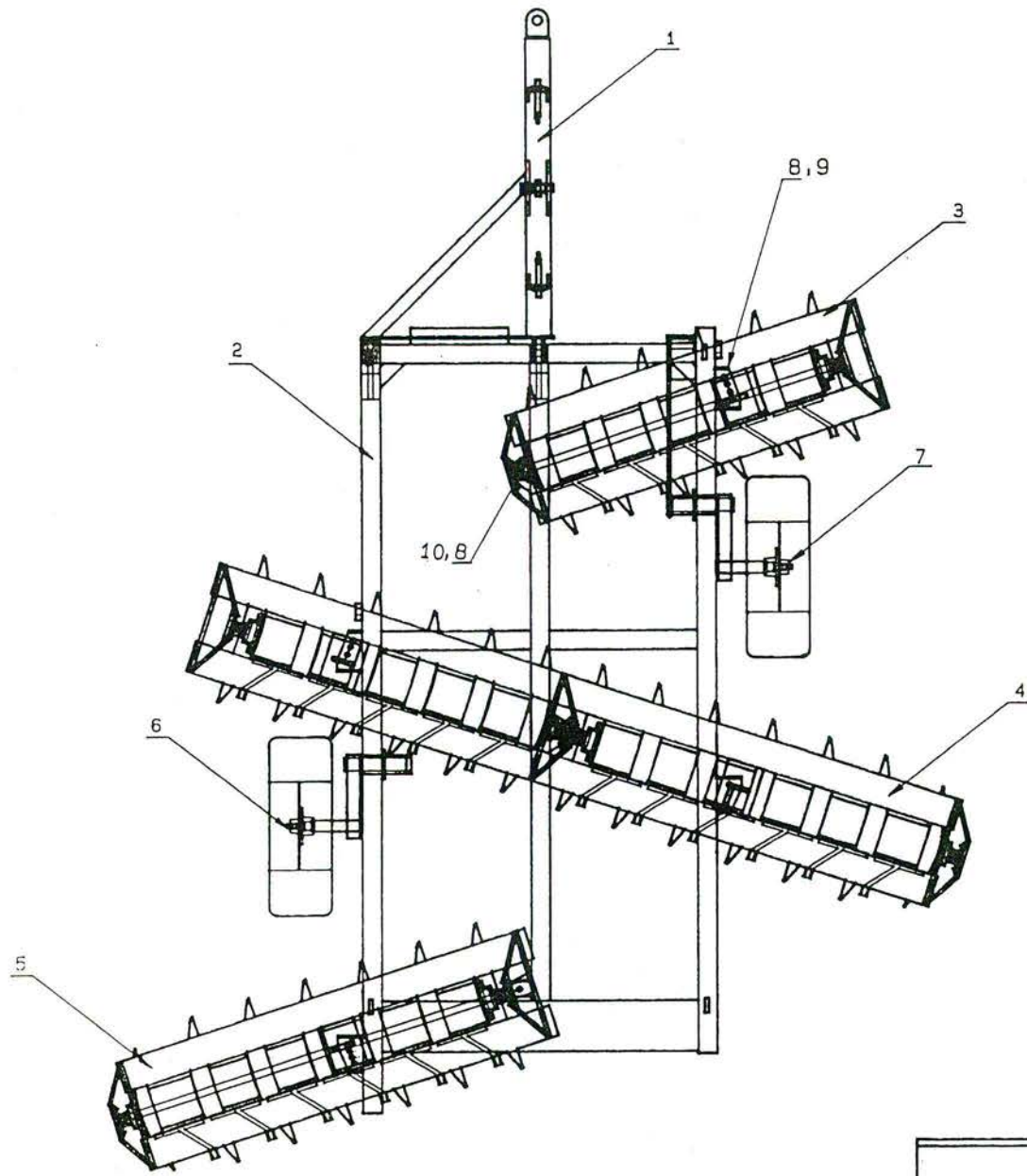
GDEG0001 - HYDRAULIC PITCH CONTROL - REFER PAGE 19

REPAIR KITS

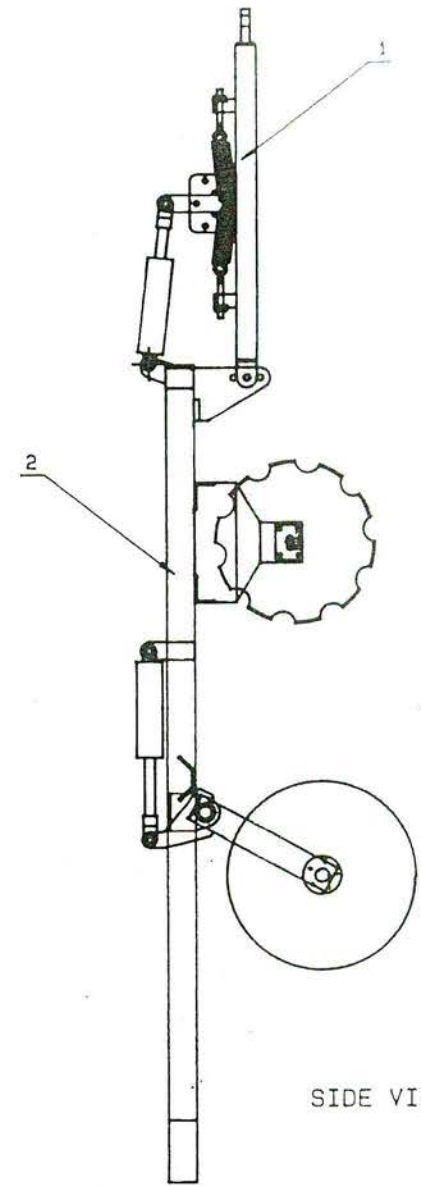
CMCA0000 - LITTLE GRUMPY WHEEL ASSEMBLY PIVOT REPAIR KIT

LITTLE GRUMPY SERIES II

<u>NO.</u>	<u>PART NO.</u>	<u>DESCRIPTION</u>	<u>QTY.</u>
1	GHCO0001	PULL ASSEMBLY	1
2	GCC024	MAIN FRAME	1
3	GANG NO.1	GANG NO.1	1
4	GANG NO.2	GANG NO.2	1
5	GANG NO.3	GANG NO.3	1
6	GJCA0011	WHEEL LIFT ASSEMBLY L.H.	1
7	GJCA0012	WHEEL LIFT ASSEMBLY R.H.	1
8	FFBJA000	NUT NYLOC M20	7
9	FWBJA055	BOLT M20	4
10	FABJA065	BOLT M20	3



TOP VIEW



SIDE VIEW

3

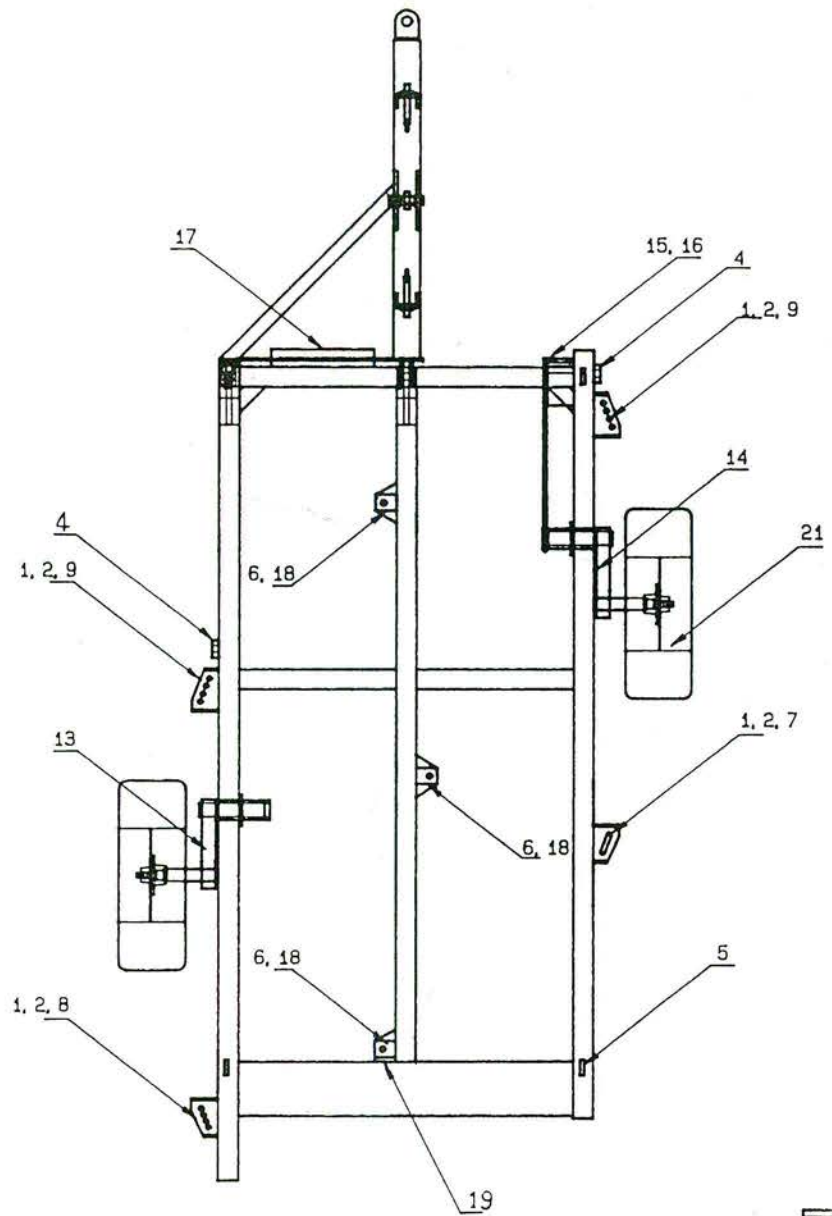
GRIZZLY ENGINEERING PTY. LTD		
TITLE: L/GRUMPY SERIES II.24 PLATE ASSY KIT.		
PART NO.		
SCALE: 1: 20.361	DATE: 2-11-89	DRG NO: GCC024

LITTLE GRUMPY SERIES II

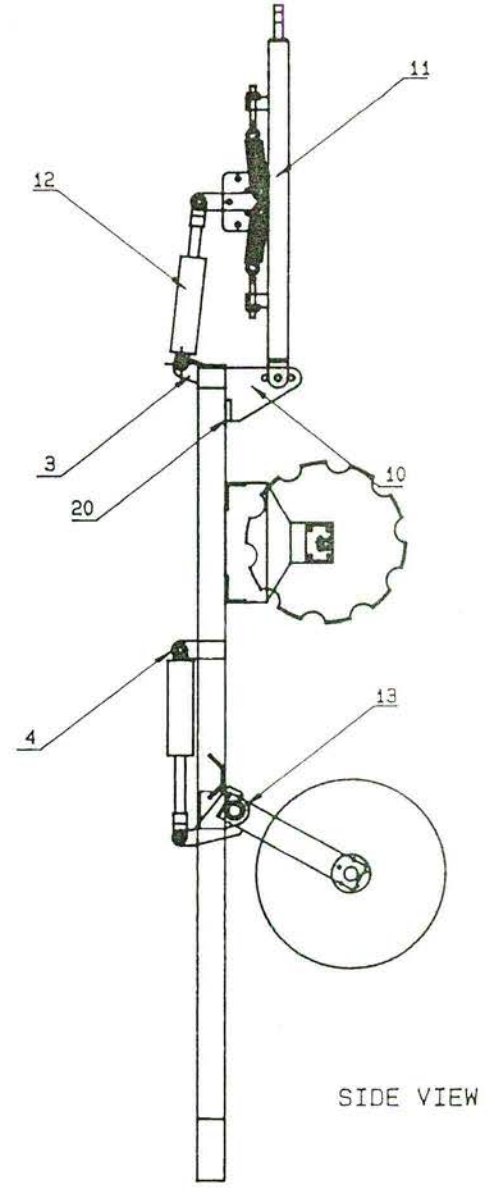
MAIN FRAME B.O.M.

<u>NO.</u>	<u>PART NO.</u>	<u>DESCRIPTION</u>	<u>QTY.</u>
1	CABCE000	SLOT GUSSET (SMALL)	4
2	CABCE001	SLOT GUSSET (LARGE)	4
3	CBBCM000	FRAME LEVEL LUG	1
4	CBBCM003	RAM LUG	2
5	CBBZH000	LIFTING LUG	4
6	CJAZE002	GANG PIVOT GUSSET	5
7	LACHA096	SLOT	1
8	LBCGA076	SERIES OF HOLES	1
9	LBCGA095	SERIES OF HOLES	2
10	CGBCJ000	PULL POST	2
11	GHC00001	PULL ASSEMBLY	1
12	GDEG0002	LEVELING ARM ASSEMBLY	1
13	GJCA0011	WHEEL LIFT ASSEMBLY L.H.	1
14	GJCA0012	WHEEL LIFT ASSEMBLY R.H.	1
15	GNBEC000	DEPTH GAUGE	1
16	GNBEC001	DEPTH POINTER	1
17	GNBHE000	TOOL BOX	1
18	MAHJA080B	GANG PIVOT	3
19	MAEHA055	10mm X 50 X 55 FLAT	1
20	MAGJA080	16mm X 65 X 80 FLAT	2
21	WSBBA00	TYRE AND RIM ASSEMBLY	2

NOTE: GDEG0001 OPTIONAL HYDRAULIC PITCH CONTROL CAN BE
FITTED IN LIEU OF ITEM 12.



TOP VIEW



SIDE VIEW

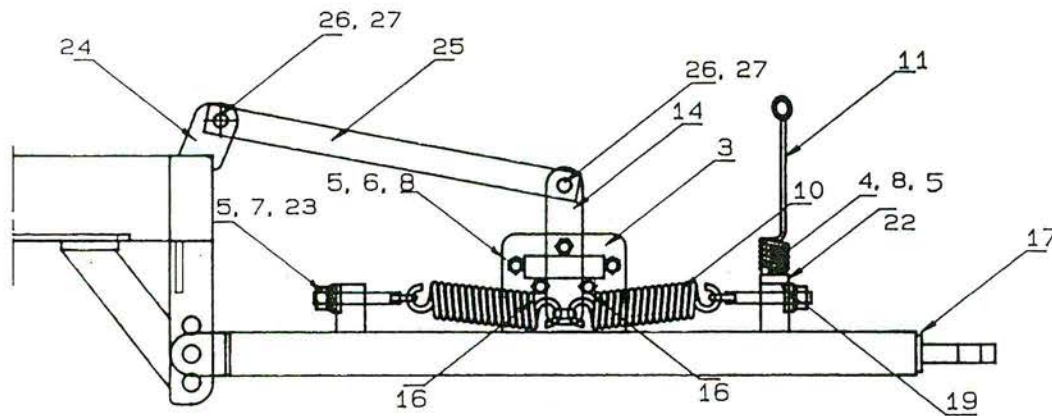
5

GRIZZLY ENGINEERING PTY. LTD			
TITLE: L/GRUMPY SERIES II.24 PLATE ASSY KIT.			
PART NO.			
SCALE: 1: 20.361	DATE: 2-11-89	DRG NO: GCC024	

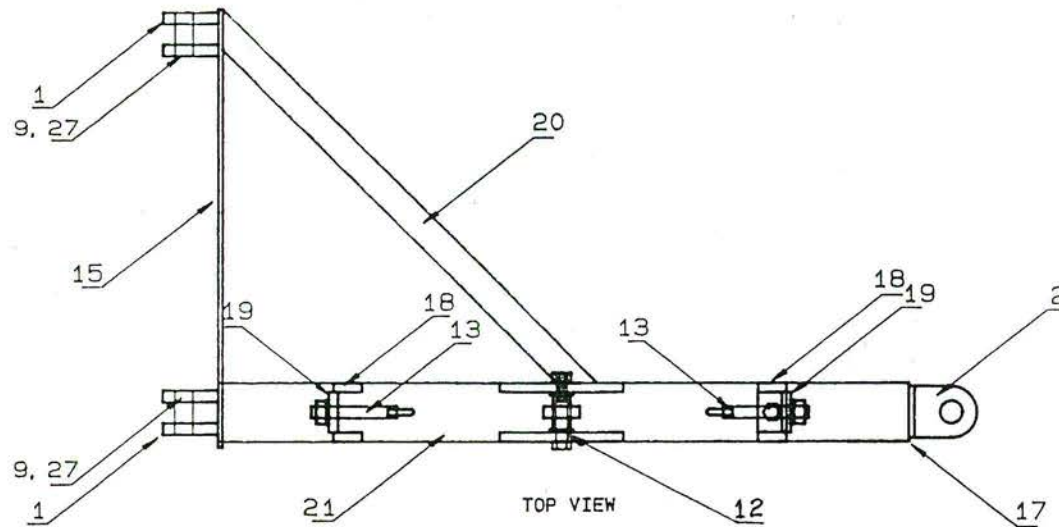
LITTLE GRUMPY SERIES II

PULL ASSEMBLY B.O.M.

<u>NO.</u>	<u>PART NO.</u>	<u>DESCRIPTION</u>	<u>QTY.</u>
1	CBCCG001	PLATE 12mm PULL BACK LUG C	4
2	CBCCP000	PLATE 32mm PULL TONGUE C	1
3	CGCCH000	PLATE 16mm SWIV LUG L/G PULL	2
4	FABJA040	BOLT M20 X 40 GRADE 8.8	1
5	FMCJG000	F/WASHER 20ID X 40 OD X 4.5mm STRL	3
6	FABJA130	BOLT M20 X 130 GRADE 8.8	3
7	FFAJA000	NUT BLACK M20	2
8	FFBJA000	NUT NYLOC M20	4
9	FGBKA065	PIN 1" (65mm) WITH WASHER	2
10	FHKKA230	SPRING 230mm X 10mm X 47mm	2
11	FHKNA440	SPRING TYPE HOSE HOLDER	1
12	FMAJE000	WASHER 20ID X 41OD X 3mm	2
13	FVCAA000	EYE BOLT, M20 X 140	2
14	GKCAA000	TOGGLE ARM ASSY PULL LG SRS 2	1
15	MADMA770	FLAT 75 X 8 (770mm) LONG	1
16	MAEEA025	FLAT 25 X 10 (25mm)	5
17	MAFEA085	FLAT 25 X 12 (85mm) LONG	2
18	MAGHA085	FLAT 50 X 16 (85mm)	4
19	MAGHA070A	FLAT 50 X 16 (70mm)	2
20	MGGFA931	SHS 51 X 51 X 4.9 (931mm) ANGLE	1
21	MHHHB200	RHS 102 X 76 X 6.3 (1,200mm)	1
22	MAEHA075	FLAT 50 X 10 (75mm)	1
23	FFDJA000	HALF NUT 20mm ZINC PLATED	2
24	CBBCM000	FRAME LEVEL LUG	1
25	GDEG0002	LEVEL ARM ASSY (PAIR)	1
26	FGBKA075	PIN 1" (75mm)	2
27	FKAEA000	6mm LYNCH PIN	4



SIDE VIEW



TOP VIEW

GRIZZLY ENGINEERING PTY. LTD			
TITLE: L/GRUMPY SERIES II - PULL ASSY.			
PART NO. GH00001			
SCALE: 1: 9.487	DATE: 1-11-89	DRG NO: GH00001	

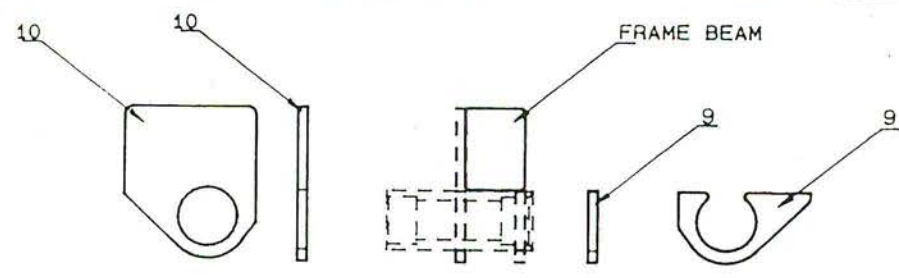
LITTLE GRUMPY SERIES II

WHEEL LIFT ASSY LEFT

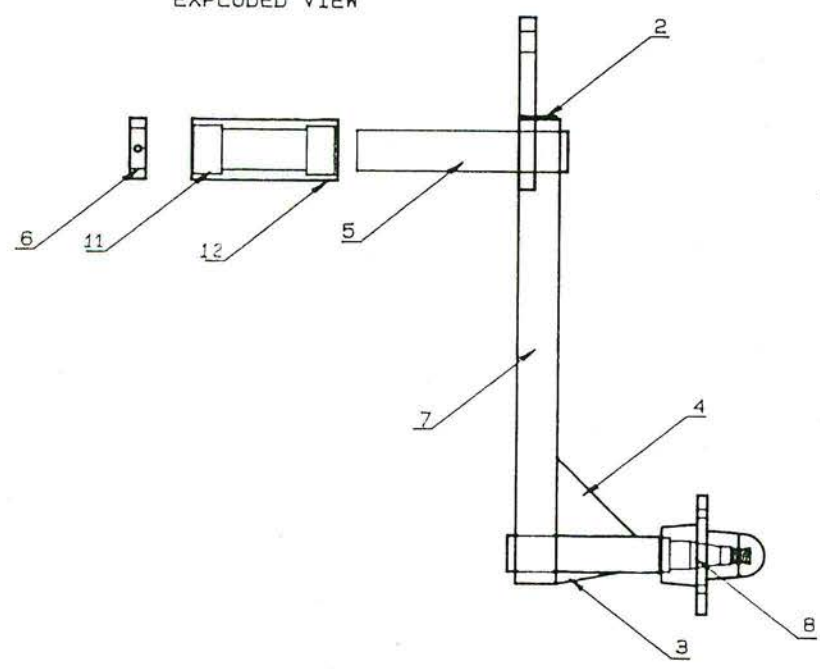
<u>NO.</u>	<u>PART NO.</u>	<u>DESCRIPTION</u>	<u>QTY.</u>
1	CBECM000	PLATE 25mm W/A ARM L/GRUMPY 2	1
2	CFECE000	PLATE 8mm CAP 102 X 51 RHS	1
3	CJAZE003	PLATE 8mm TRIANGLE 100 X 50 X 110	1
4	CJAZG000	PLATE 12mm TRIANGLE 100 X 150	1
5	MDDEA265	SHAFT 50mm (265mm)	1
6	MFMJA020A	H/BAR 50ID X 75OD (20mm)	1
7	MHHGA580A	RHS 102 X 51 (580) DRILL	1
8	WMCAA000	H25 ROUND STUB/HUB X 300mm	1
9	CCBCF000	L.G. WHEEL ASSY GUSSET	1
10	CCBCF001	L.G. WHEEL ASSY SIDE PLATE	1
11	BJEGA035	50ID X 60OD X 35 VESCONITE BUSH	2
12	MFMKA184A	VESCONITE BUSH HOUSING LG W/L ASSY	1

1 2 3 4 5 6 7 8

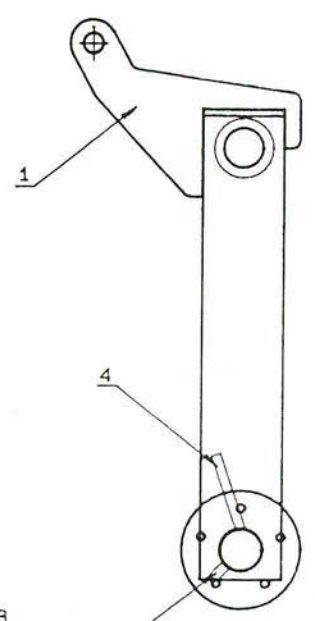
A
B
C
D
E



EXPLODED VIEW



BACK ELEVATION



SIDE VIEW

9

ISSUE	DATE	ZONE	CHANGE	BY	CKD

ALL DIMENSIONS IN MILLIMETERS.
TOLERANCES
LINEAR ± 0.5
ANGULAR ± 0.5

DRAWN	G. BAILEY
CHECKED	-----
APPROVED	-----
DATE	7-6-90

GRIZZLY ENGINEERING.
TITLE:
L/GRUMPY SERIES II. WHEEL LIFT ASSY.

AMENDMENTS.

AS1100

SCALE NO SCALE

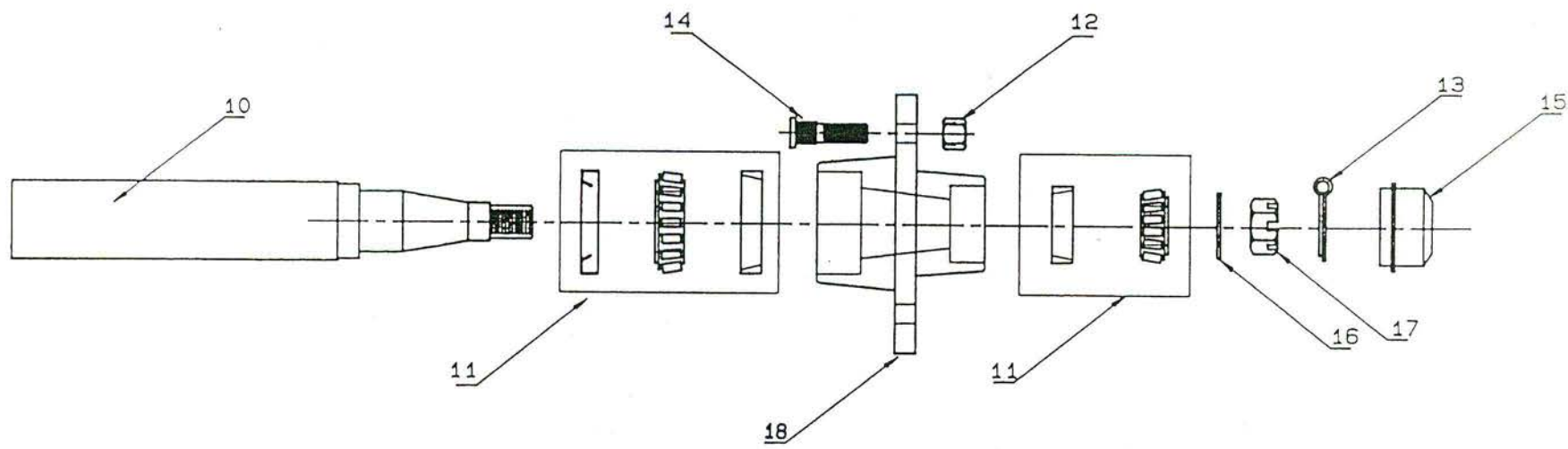
DRAWING NO. GJCA0011 A3

1 2 3 4 5 6 7 8

LITTLE GRUMPY SERIES II

H30 HUB AND STUB ASSEMBLY - WMCAA000

<u>NO.</u>	<u>PART NO.</u>	<u>DESCRIPTION</u>	<u>QTY.</u>
10	WACAAB00	H30 STUB AXLE	1
11	BACAA000	H30 BEARING KIT	1
12	FFFFA000	WHEEL NUT	5
13	FKCDA040	SPLIT PIN	1
14	FDBFA043	WHEEL STUD	5
15	WKCA0000	GREASE CAP	1
16	FMAJCG00	WASHER	1
17	FFCHA000	AXLE NUT	1
18	WJCAA000	H30 HUB WITH BEARING FITTED	1

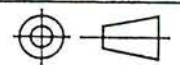


11

ALL DIMENSIONS IN MILLIMETERS.
TOLERANCES

LINEAR ± 0.5

ANGULAR ± 0.5



GRIZZLY ENGINEERING.

DRAWN	G. BAILEY
CHECKED	-----
APPROVED	-----

TITLE:
HT HUB & STUB ASSY.

ISSUE	DATE	ZONE	CHANGE	BY	CKD

AMENDMENTS.

AS1100

DATE 17-5-90

SCALE NO SCALE

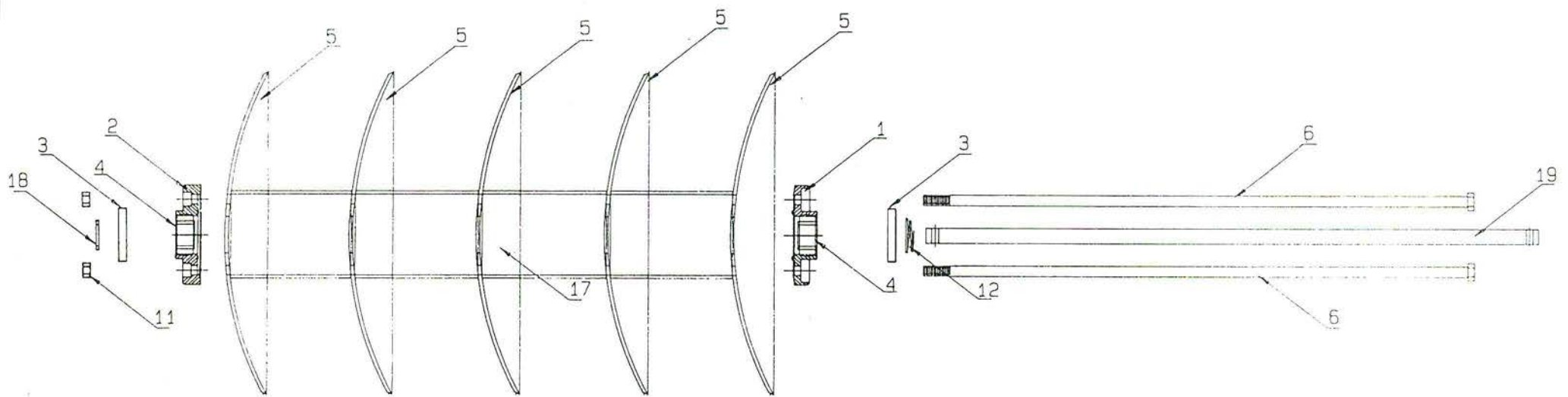
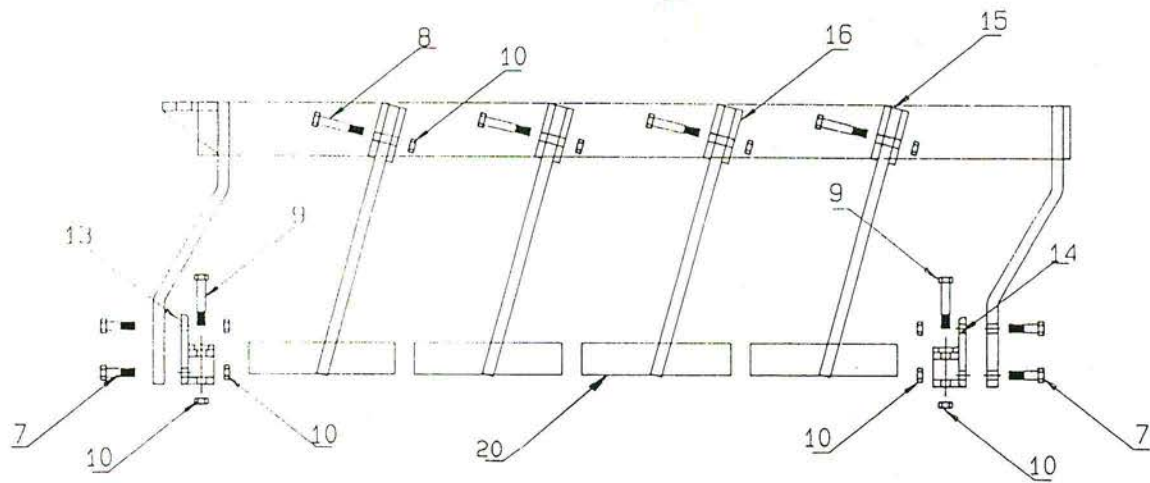
DRAWING NO. HTASSY

A3

GANG NO. 1

<u>NO.</u>	<u>PART NO.</u>	<u>DESCRIPTION</u>
1	BEB080B0	LEAD BEARING HOUSING
2	BFB080B0	THRUST BEARING HOUSING
3	BNSTA000	METAL COVER FOR 28mm BEARING
4	BPAAB001	BEARING 28.57 ID X 80 OD
5	D24DSB03	DISC 24" X 6mm SCALLOPED 4BLT
6	FAAHB000	BOLT M16 X 1000 GRADE 5.5
7	FABGA040	BOLT M12 X 40 GRADE 8.8
8	FABGA050	BOLT M12 X 50 GRADE 8.8
9	FABGA065	BOLT M12 X 65 GRADE 8.8
10	FFBGA000	NUT NYLOC M12
11	FFBHA000	NUT NYLOC M16
12	FHCPA035	SPRING CONICAL
13	GECD000	AXLE CARRIER LEFT (CAST)
14	GECE000	AXLE CARRIER RIGHT (CAST)
15	GFBA0210	SCRAPER ASSY LEFT
16	MADGA079A	SCRAPER LUG
17	MECPA230	230 SPOOL
18	MGFEA010	10mm SPACER
19	MJBHB149A	22mm 5 DISC GANG AXLE
20	MCCHA210	SCRAPER PAD

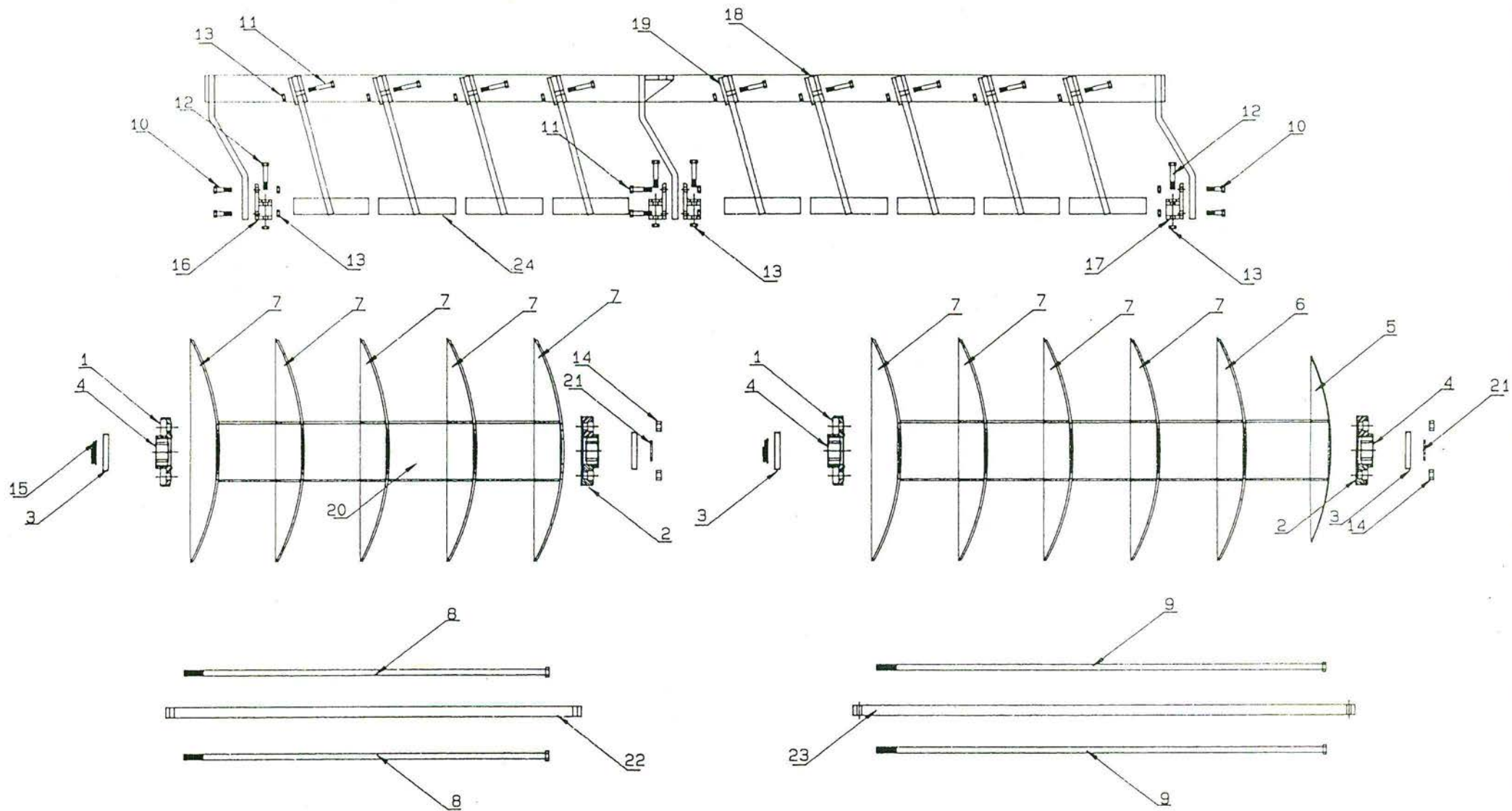
GANG AXLE USED		GANG BOLT USED	
NO. OF DISCS	PART NO.	NO. OF DISCS	PART NO. M16
4	MJBHA911A	4	FAAHA765
5	MJBHB149A	5	FAAHB000
6	MJBHB387A	6	FAAHB240
7	MJBHB625A	7	FAAHB470



GRIZZLY ENGINEERING PTY. LTD			
TITLE: SPARE PARTS- L/GRUMPY GANG. 1.			
PART NO.		20 PLATE.	
SCALE: 1:7.684	DATE: 6-11-89	DRG NO: GANG. 1.	

GANG NO. 2

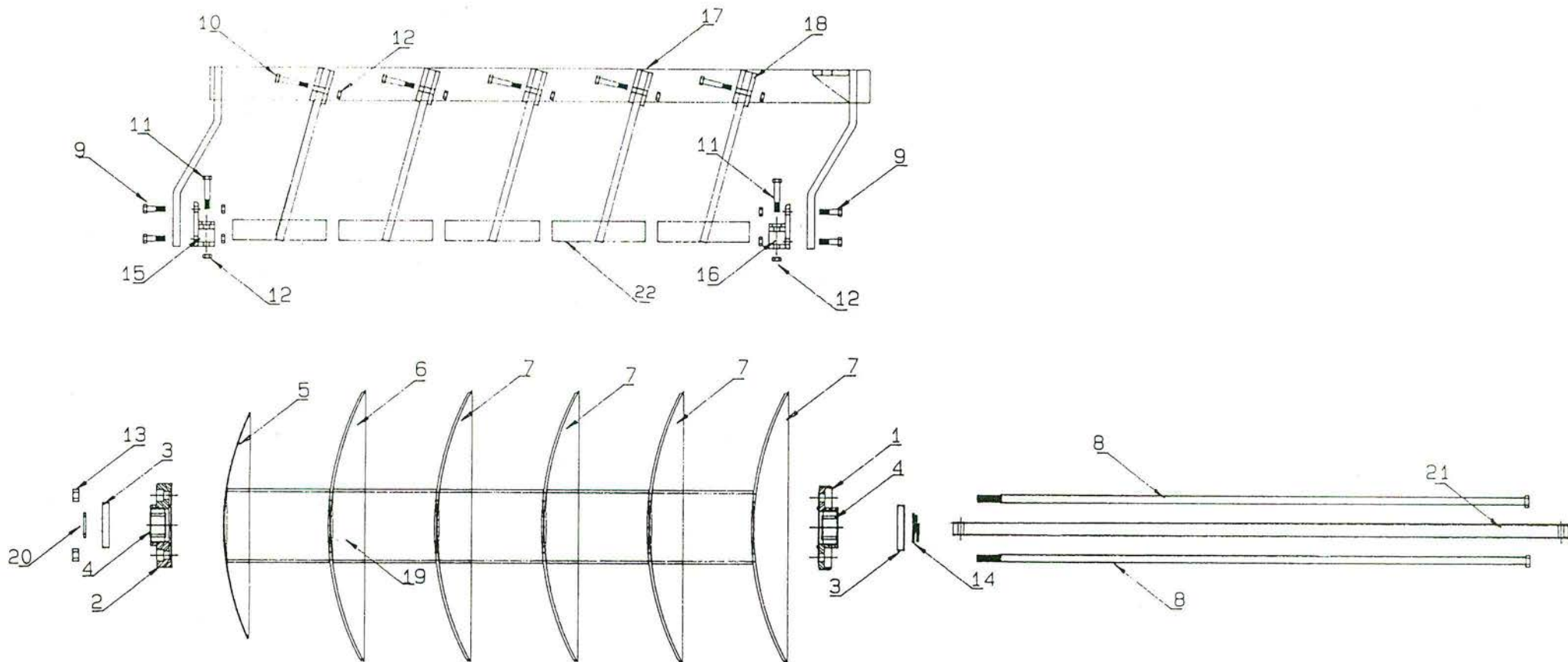
<u>NO.</u>	<u>PART NO.</u>	<u>DESCRIPTION</u>
1	BEB080B0	LEAD BEARING HOUSING
2	BFB080B0	THRUST BEARING HOUSING
3	BNSTA000	METAL COVER FOR 28mm BEARING
4	BPAAB001	BEARING 28.57 ID X 80 OD
5	D20BSB03	DISC 20" X 4mm FILLER 4BLT
6	D22CSB06	DISC 22" X 5mm SCALLOPED 4BLT
7	D24DSB03	DISC 24" X 6mm SCALLOPED 4BLT
8	FAAHB000	BOLT M16 X 1000 GRADE 5.5
9	FAAHB240	BOLT M16 X 1240 GRADE 5.5
10	FABGA040	BOLT M12 X 40 GRADE 8.8
11	FABGA050	BOLT M12 X 50 GRADE 8.8
12	FABGA065	BOLT M12 X 65 GRADE 8.8
13	FFBGA000	NUT NYLOC M12
14	FFBHA000	NUT NYLOC M16
15	FHCPA035	SPRING CONICAL
16	GEADB000	AXLE CARRIER LEFT (CAST)
17	GECEB000	AXLE CARRIER RIGHT (CAST)
18	GFBBA210	SCRAPER ASSY RIGHT
19	MADGA079A	SCRAPER LUG
20	MECPA230	230 SPOOL
21	MGFEA010	10mm SPACER
22	MJBHB149A	28mm 5 DISC GANG AXLE
22, 23	MJBHB387A	28mm 6 DISC GANG AXLE
23	MJBHB625B	28mm 7 DISC GANG AXLE
24	MCCHA210	SCRAPER PAD



GRIZZLY ENGINEERING PTY. LTD		
TITLE: SPARE PARTS-L/GRUMPY GANG.2.		
PART NO.	20 PLATE.	
SCALE: 1:10.806	DATE: 7-11-89	DRG NO: GANG.2.

GANG NO. 3

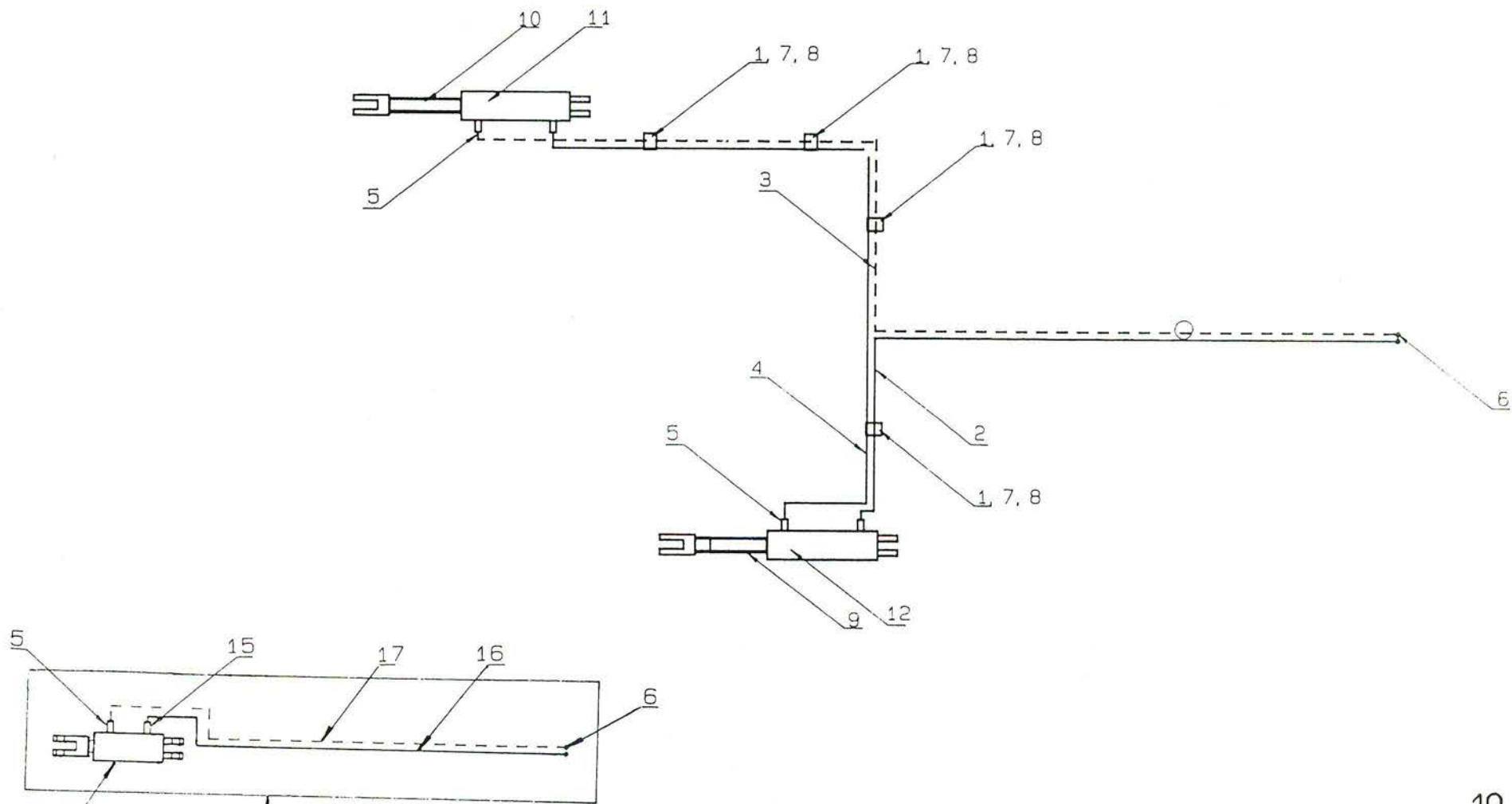
<u>NO.</u>	<u>PART NO.</u>	<u>DESCRIPTION</u>
1	BEB080B0	LEAD BEARING HOUSING
2	BFB080B0	THRUST BEARING HOUSING
3	BNSTA000	METAL COVERING FOR 28mm
4	BPAAB001	BEARING 28.57 ID X 80 OD
5	D20BSB03	DISC 20" X 4mm FILLER 4BLT
6	D22CSB06	DISC 22" X 5mm SCALLOPED 4BLT
7	D24DSB03	DISC 24" X 6mm SCALLOPED 4BLT
8	FAAHB240	BOLT M16 X 1240 GRADE 5.5
9	FABGA040	BOLT M12 X 40 GRADE 8.8
10	FABGA050	BOLT M12 X 50 GRADE 8.8
11	FABGA065	BOLT M12 X 65 GRADE 8.8
12	FFBGA000	NUT NYLOC M12
13	FFBHA000	NUT NYLOC M16
14	FHCPA035	SPRING CONICAL
15	GECDB000	AXLE CARRIER LEFT (CAST)
16	GECEB000	AXLE CARRIER RIGHT (CAST)
17	GFBA0210	SCRAPER ASSY LEFT
18	MADGA079A	SCRAPER LUG
19	MECPA230	230 SPOOL
20	MGFEA010	10mm SPACER
21	MJBHB625B	28mm 7 DISC GANG AXLE
22	MCCHA210	SCRAPER PAD



GRIZZLY ENGINEERING PTY. LTD			
TITLE: SPARE PARTS- L/GRUMPY GANG.3.			
PART NO.		20 PLATE.	
SCALE: 1:9.306	DATE: 7-11-89	DRG NO: GANG.3.	

LITTLE GRUMPY SERIES II
HYDRAULIC KIT - HFCAB000

<u>NO.</u>	<u>PART NO.</u>	<u>DESCRIPTION</u>	<u>QTY.</u>
1	FABEA045	BOLT M8 X 45 GRADE 8.8	8
2	HGCAD400	HOSE (3,400) HHAKBU07 HHAKMU07	1
3	HGCAE500	HOSE (4,500) HHAKBU07 HHAKMU07	1
4	HGCCC600	HOSE (2,600) HHAKBU07 BOTH END	1
5	HHABAM07	FITTING U.N O RING J,I,C,M,N	5
6	HHDMNW07	QUICK RELEASE COUPLING 3/4"	4
7	HJBCA000	CLAMP SHELL 3/4-3/4	16
8	HJBFA000	TOP PLATE FOR 3/4 CLAMP	8
9	HRAAA185	TRANSPORT BLOCK (185mm)	1
10	HRBAA235	TRANSPORT BLOCK (235mm)	1
11	HZA300/08	HYDRAULIC CYL. 3" X 8"	1
12	HZA325/08D	HYD.CYL. 3.25" X 8" D/STOPS	1
<u>13</u>	<u>GDEG0001</u>	<u>OPTIONAL HYD PITCH CONTROL</u>	<u>1</u>
14	HYA300/08	HYD CYL 300 X 8 1 PINS	1
15	HHABAM07A	FITTING 90° ELBOW/RESTRICTOR	1
16	HGCCC000	HOSE (2,000) HHAKBU07 HHAKMU07	1
17	HGCCC200	HOSE (2,200) HHAKBU07 HHAKMU07	1

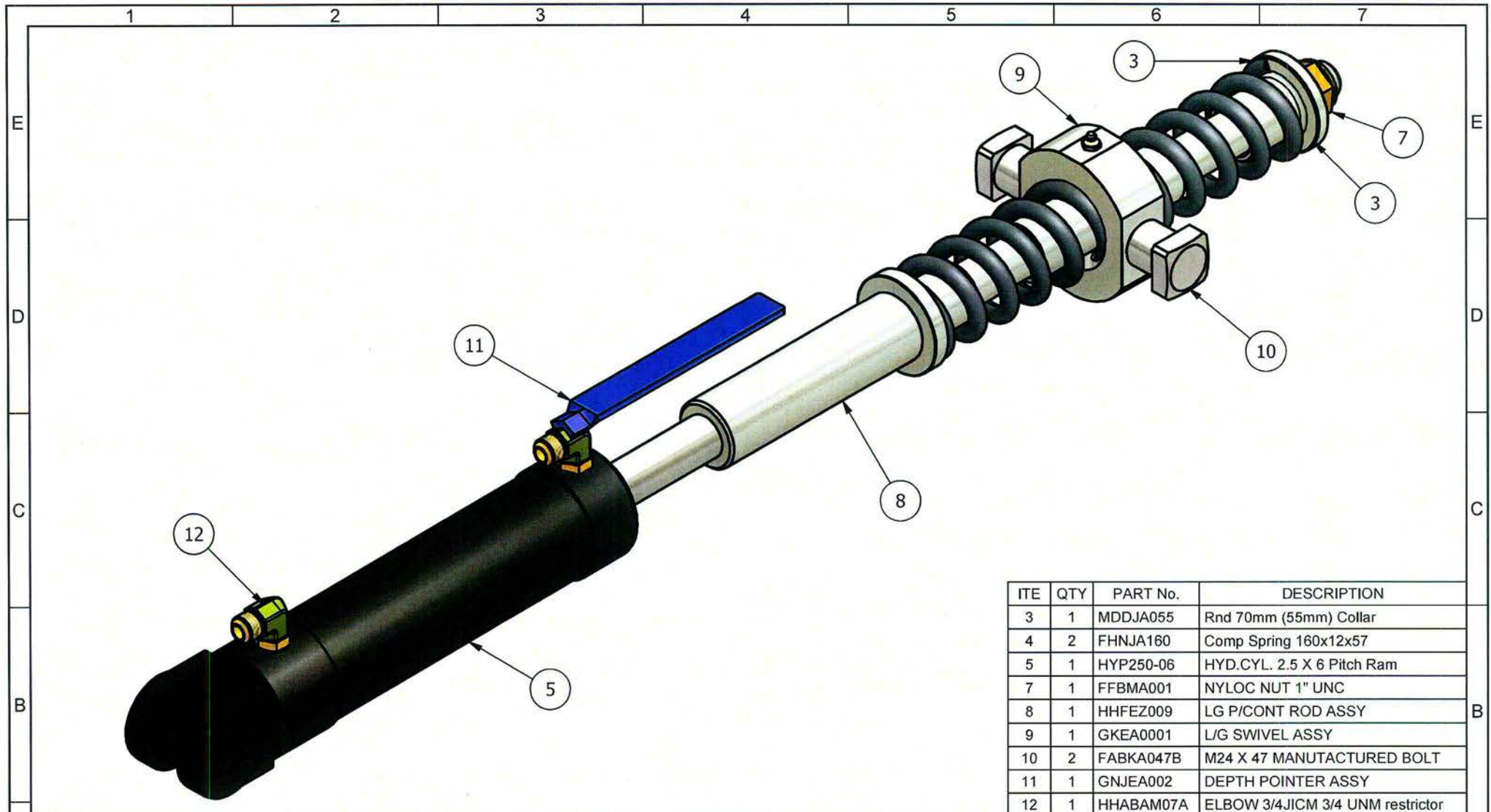


13 OPTION: HYDRAULIC
PITCH CONTROL CAN BE
FITTED.

GRIZZLY ENGINEERING PTY. LTD			
TITLE: L/GRUMPY SERIES II. HYDRAULIC SYSTEM.			
PART NO.			
SCALE: 1: 14.255	DATE: 1-11-89	DRG NO: HFCAB000	

CHANGES - LITTLE GRUMPY SERIES II

REFERENCE		OLD	NEW	DATE OF	SERIAL NO.	NOTES
PAGE	ITEM	PART NO.	PART NO.	CHANGE	OF CHANGE	



ITE	QTY	PART No.	DESCRIPTION
3	1	MDDJA055	Rnd 70mm (55mm) Collar
4	2	FHNJA160	Comp Spring 160x12x57
5	1	HYP250-06	HYD.CYL. 2.5 X 6 Pitch Ram
7	1	FFBMA001	NYLOC NUT 1" UNC
8	1	HHFEZ009	LG P/CONT ROD ASSY
9	1	GKEA0001	L/G SWIVEL ASSY
10	2	FABKA047B	M24 X 47 MANUFACTURED BOLT
11	1	GNJEA002	DEPTH POINTER ASSY
12	1	HHABAM07A	ELBOW 3/4JICM 3/4 UNM restrictor

GRIZZLY ENGINEERING Pty.Ltd.

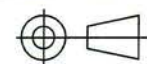
NAME:	DATE:	SIGN:
DRAWN: gavan	2/10/2009	
CHECKED:		

LG HYDRAULIC PITCH CONTROL

MATERIAL
WEIGHT 20.10 kg

COPYRIGHTS RESERVED
THIS DRAWING IS THE PROPERTY OF GRIZZLY ENGINEERING Pty.Ltd. AND IS SUBJECT TO RETURN UPON DEMAND. IT IS SUBMITTED FOR USE ONLY IN CONNECTION WITH PROPOSALS OR CONTRACTS OF THIS ORGANIZATION UPON THE EXPRESS CONDITION THAT IT IS NOT TO BE USED DIRECTLY OR INDIRECTLY IN ANY WAY DETRIMENTAL TO THE INTEREST OF GRIZZLY ENGINEERING Pty.Ltd.

UNLESS STATED OTHERWISE
TOLERANCE LINEAR +_1
ANGULAR + 1
REMOVE ALL SHARP EDGES BY
0.2 x 45°



DRAWING NUMBER
GDEG0009.idw

PART NUMBER
GDEG0009

REVISION A	SHEET 1	OF 1
ISS.	NTS	A4

\\Grz-rnd-01\Inventor\Parts\GD-IGDEG0009.idw