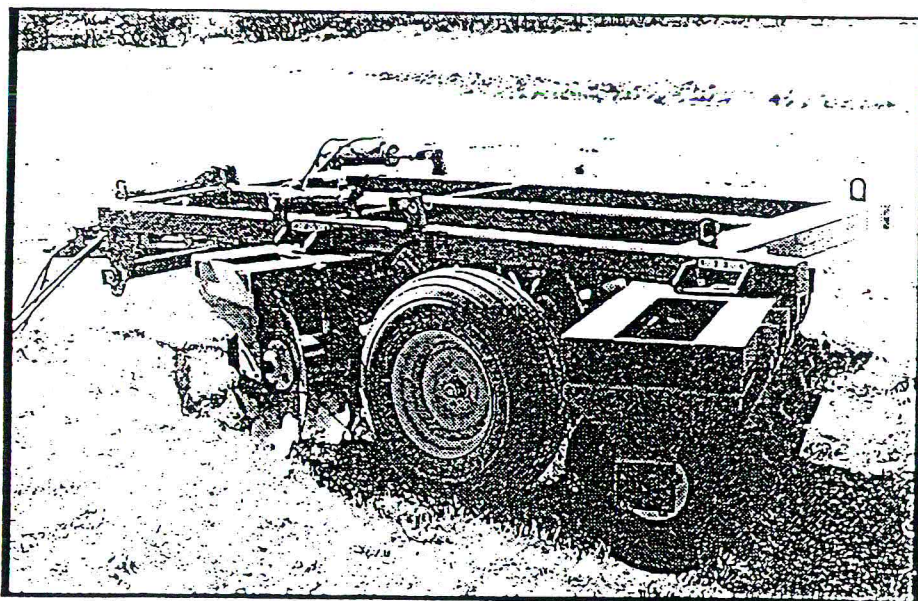


GRIZZLY

SPARE PARTS MANUAL

GRUMPY

SERIES I



GRUMPY SERIES II

SPECIFICATIONS

WORKING WIDTH	<u>G28</u>	3.2M (10'6")	<u>G32</u>	3.6M (12')	<u>G36</u>	4.1M (13'6")
OVERALL WIDTH		3.8M (12'5")		4.2M (14')		4.7M (15'6")
TRANSPORT WIDTH		3.35M (11')		3.78M (12'4")		4.15M (13'6")
WEIGHT		1750KG		1985KG		2232KG

GANG AXLE USED		GANG BOLT USED	
NO. OF DISCS	PART NO.	NO. OF DISCS	PART NO.
3	MJBHA673A	3	FAAHA525
4	MJBHA911A	4	FAAHA765
5	MJBHB149A	5	FAAHB000
6	MJBHB387A	6	FAAHB240

TOOL KIT (SUPPLIED WITH PLOUGH TECA0000)

CHAGH000	DISC LOCK SPANNER	1
TDFSA000	30MM COMBINATION SPANNER	1
TFCBMP00	TOOL ASSEMBLY 19MM & 24 MM	1

TYRE & RIM ASSEMBLY

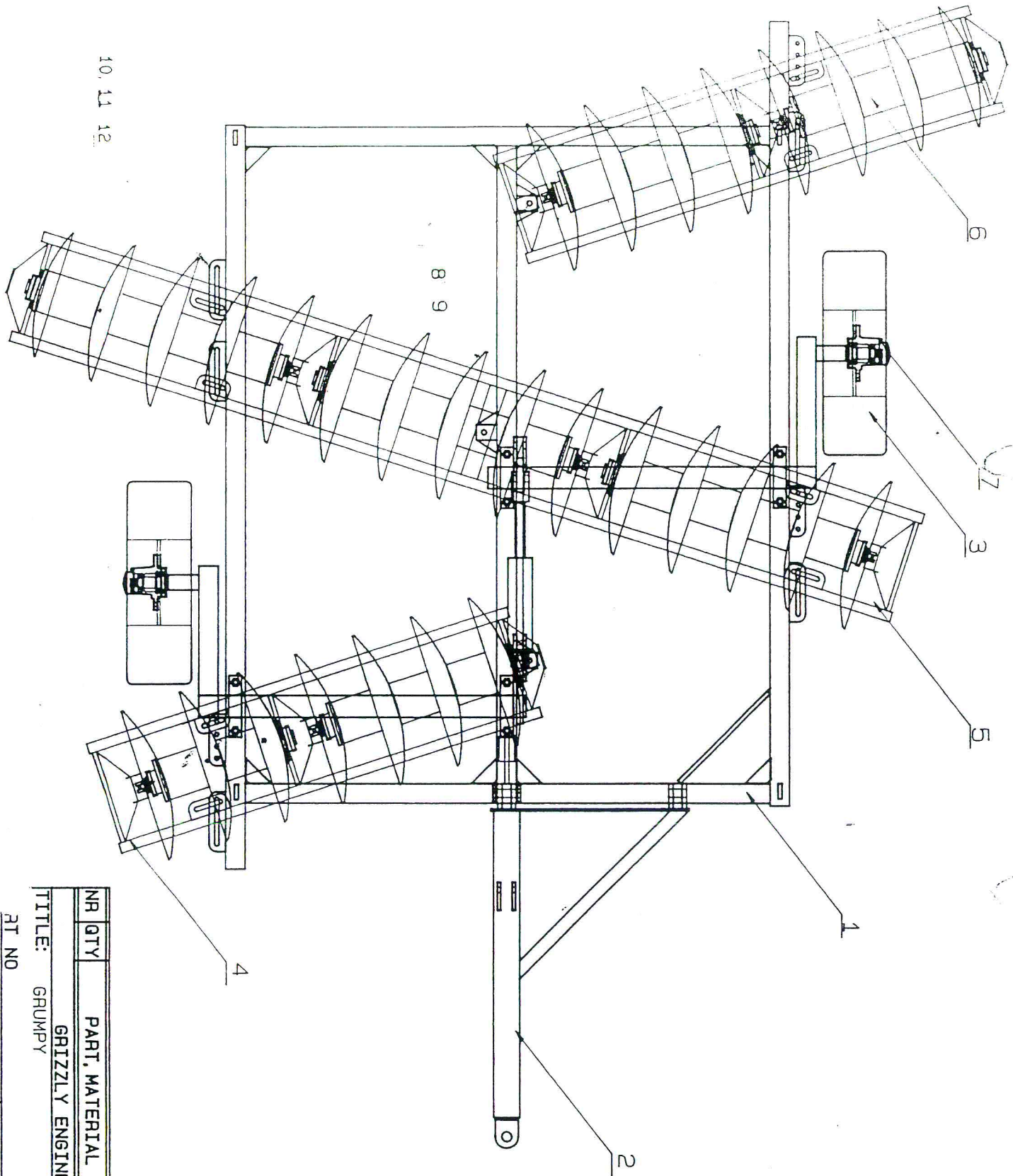
1.	WSJDDB00	RIM & TYRE ASSEMBLY
1:1	WEJJT000	8 X 16 H60 RIM
1:2	WFDJV000	9 X 16 8 PLY TYRE

OPTION

GDEG0001 - HYDRAULIC PITCH CONTROL - REFER PAGE 17

GRUMPY SERIES II

<u>NO.</u>	<u>PART NO.</u>	<u>DESCRIPTION</u>	<u>QTY.</u>
1	GHEA0001	PULL ASSEMBLY	1
2	GCE028	MAIN FRAME	1
3	GJEA0010	WHEEL LIFT ASSEMBLY L.H.	1
4	GJEA0010	WHEEL LIFT ASSEMBLY R.H.	1
5	GANG NO.1	GANG NO.1	1
6	GANG NO.2	GANG NO.2	1
7	GANG NO.3	GANG NO.3	1
8	FABJA065	BOLT M20	3
9	FFBJA000	NUT	7
10	FWBJA055	BOLT M20 WITH WASHER	4



10, 11 12

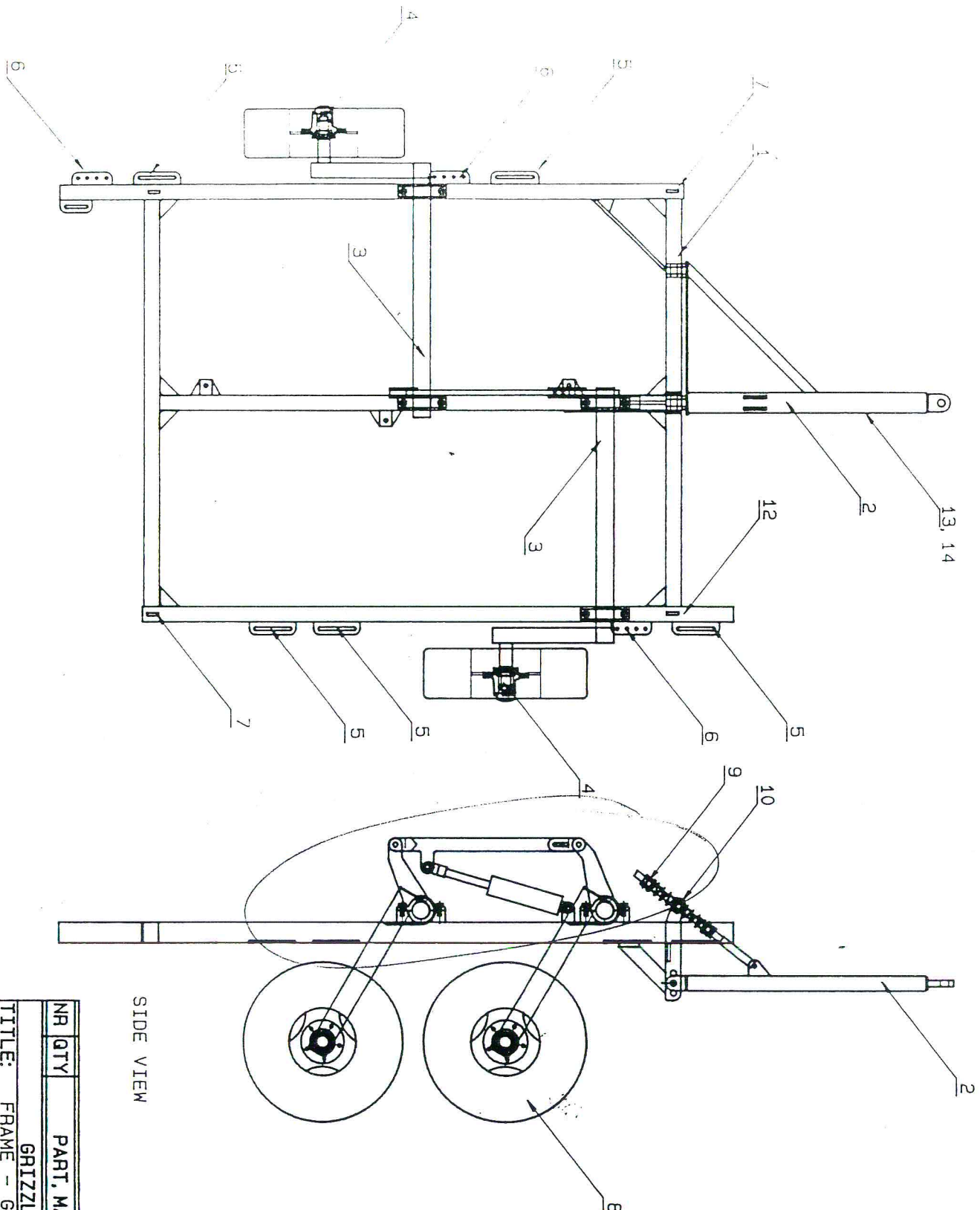
NR	QTY	PART, MATERIAL	DIMENSIONS	PART NO.
TITLE: GRUMPY				
RT NO				
SCALE 1: 15		DATE: 26. 07. 88		DRG NO. GMMTV

3

GRUMPY SERIES I

FRAME ASSEMBLY - GCE28-36

<u>NO.</u>	<u>PART NO.</u>	<u>DESCRIPTION</u>	<u>QTY.</u>
1	GCE28-36	FRAME	1
2	GHEA0000	PULL ASSEMBLY	1
3	GJEA0001	WHEEL LIFT ASSEMBLY	1
4	WJJA0000	H60 HUB ASSY BEARING FITTED	2
5	LACGA175	SLOT 175MM	5
6	LBCGA140	SERIES OF HOLES 140MM	3
7	CBBZH000	LIFT LUG	4
8	WSJDDB00	RIM & TYRE ASSEMBLY	2
9	CKCD0000	LEVEL ROD ASSEMBLY	1
10	CCBCG001	LEVEL LUG FRAME	2
11	GNBEC002	DEPTH POINTER	1
12	GNBEC000	DEPTH GAUGE	1
13	GKEE0001	PARKING JACK CLAMP	1
14	GKEE0000	PARKING JACK	1



TOP VIEW

SIDE VIEW

DEPTH GAUGE (OPT)

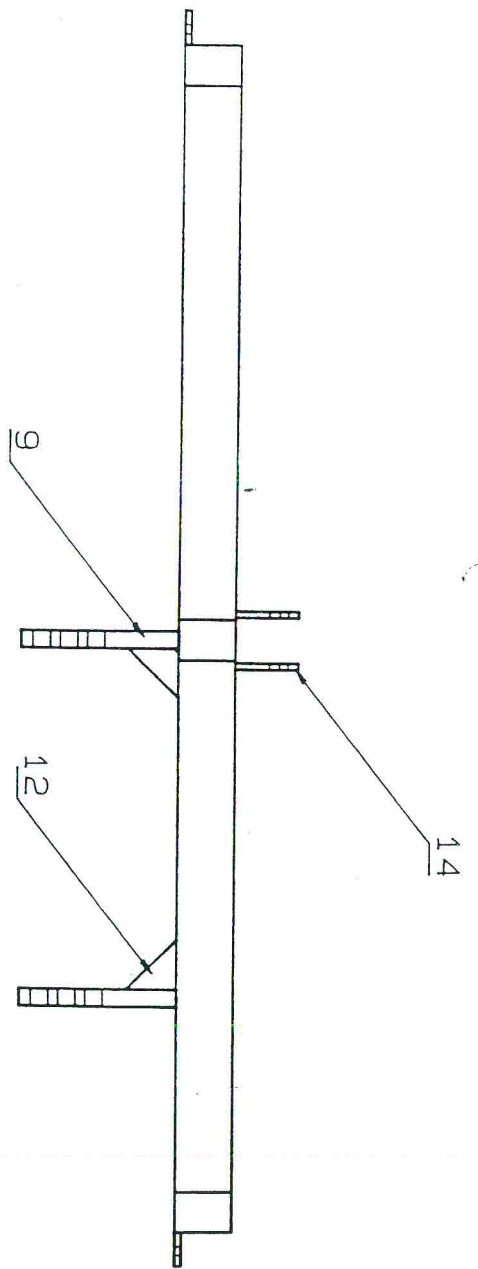


NR	QTY	PART, MATERIAL	DIMENSIONS	PART NO.
GRIZZLY ENGINEERING PTY				
TITLE: FRAME - GRUMPY				
PRT NO				
SCALE	1:20	DATE: 1.08.88	DRG NO.	GFTS

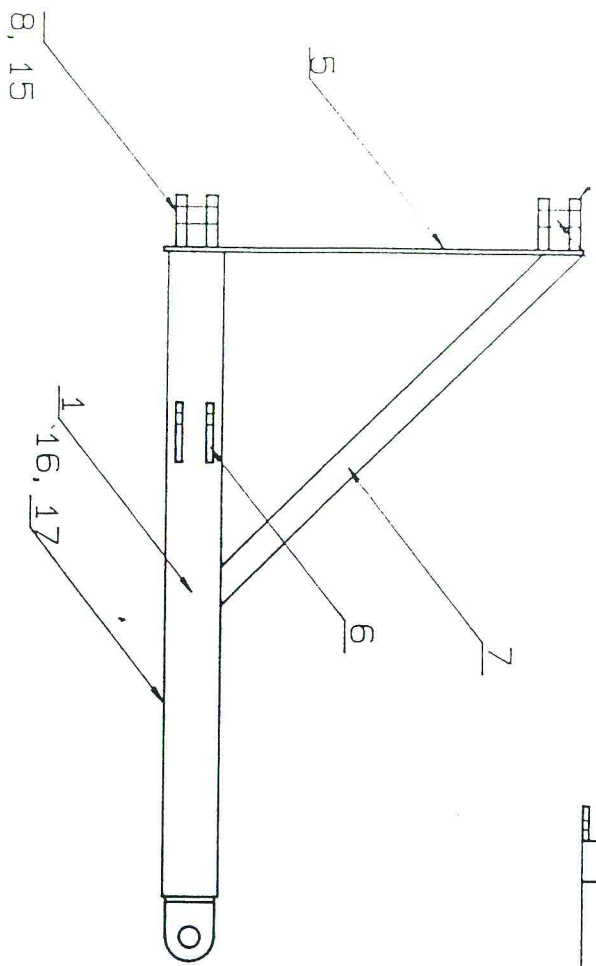
GRUMPY SERIES I

PULL ASSEMBLY - GHEA0000

<u>NO.</u>	<u>PART NO.</u>	<u>DESCRIPTION</u>	<u>QTY.</u>
1	MHHHB200	PULL BEAM	1
2	MAFEA085	FLAT 25 X 12 X 85	2
3	CBCCP000	PULL TONGUE	1
4	CBCFJ000	BACK PULL LUG	4
5	MADMA770	FLAT	1
6	CCBCG003	LEVEL LUG PULL	2
7	MGGFA931	RHS	1
8	FGBPA095	PULL PIN	2
9	CBREP001	PULL POST	2
10	MAHMA310	GUSSET	1
11	MAGJA100	FLAT	1
12	CJAZG000	GUSSET	2
13	GKCD0000	LEVEL ROD ASSEMBLY	1
14	CCBCG001	LEVEL LUG FRAME	1
15	FKAEA000	LYNCH PIN	2
16	GKEE0001	PARKING JACK CLAMP	1
17	GKEE0000	PARKING JACK	1

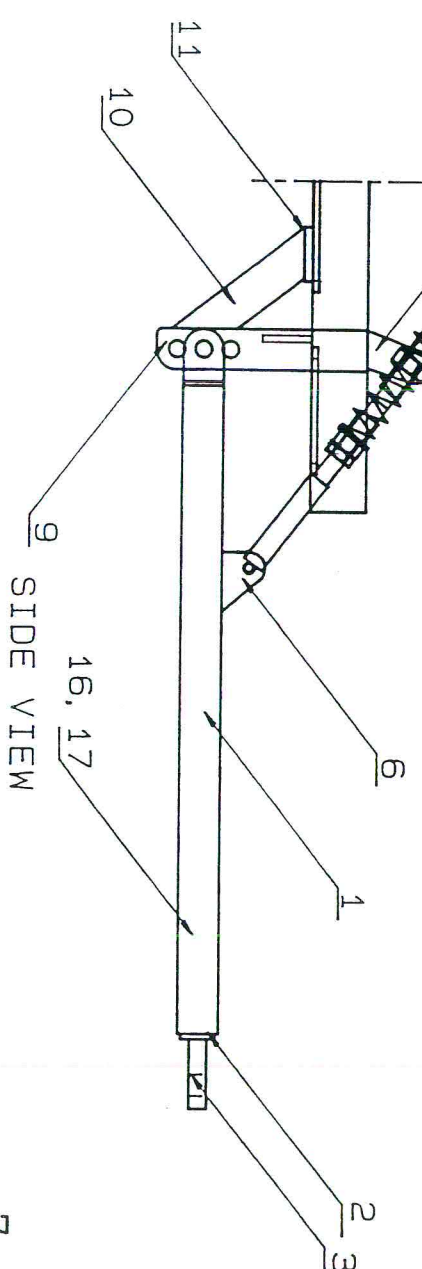


8, 15



FRONT VIEW

TOP VIEW



SIDE VIEW

NR	QTY	PART. MATERIAL	DIMENSIONS	PART NO.
TITLE: GRIZZLY ENGINEERING PTY				
TITLE: PULL ASSY - GRUMPY				
PART NO				
SCALE	1:10	DATE: 26.07.88	DRG NO.	GP3V

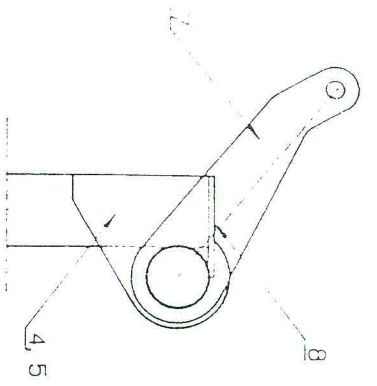
7

GRUMPY SERIES I

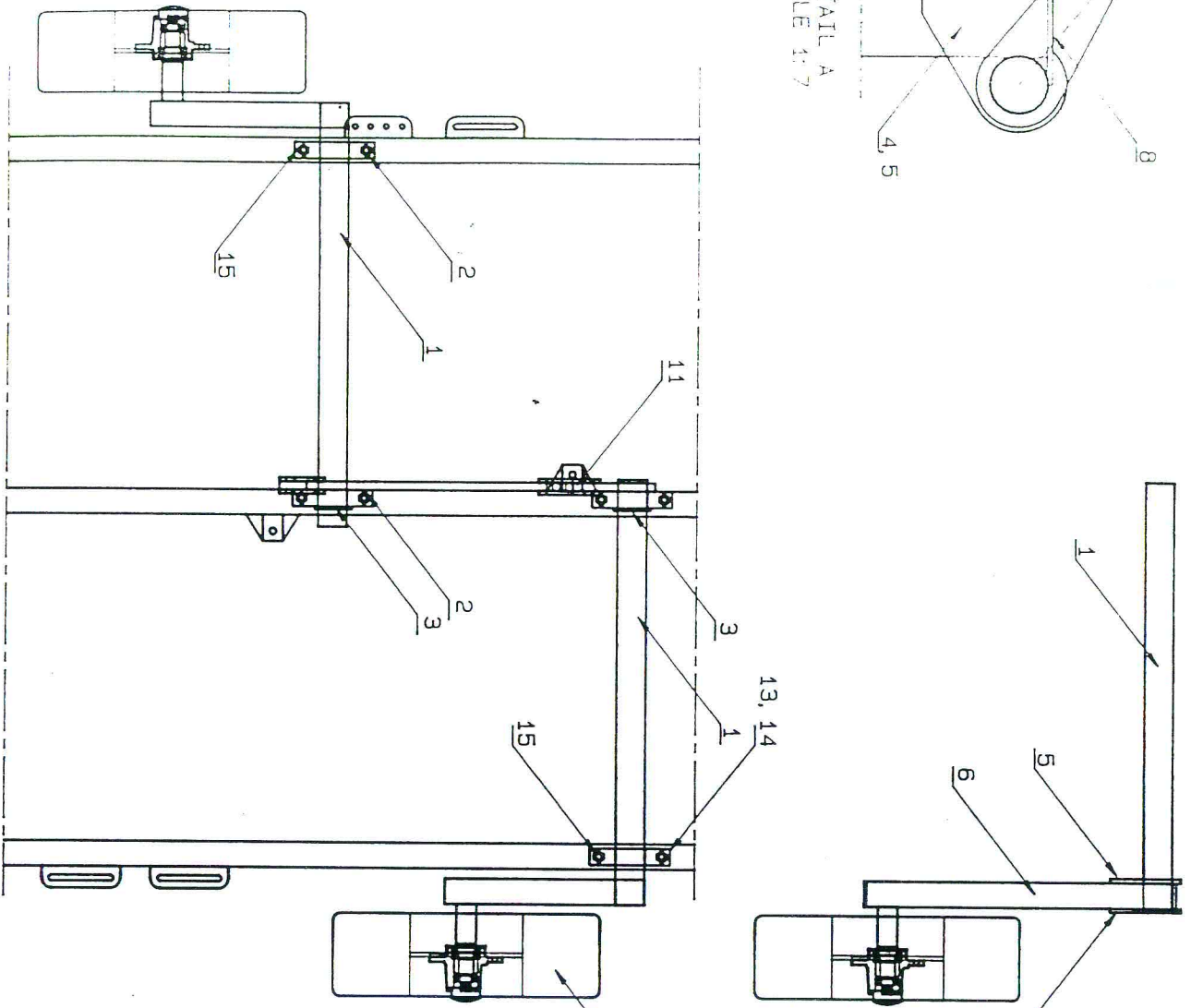
WHEEL LIFT ASSEMBLY - GJEA0001

<u>NO.</u>	<u>PART NO.</u>	<u>DESCRIPTION</u>	<u>QTY.</u>
1	MDDNB300	SHAFT	2
2	GNBEH000	SHAFT CLAMP ASSEMBLY	4
3	CGEEEE000	SHAFT RETAINER	2
4	CGEEEE002	W/A SIDE PLATE OUTER	2
5	CGEEEE001	W/A SIDE PLATE INNER	2
6	MHHHA920A	WHEEL LIFT LEG	2
7	CGEEJ000	WHEEL LIFT ARM	2
8	MAAJA095	CAP-RHS	4
9	GJEA0000	LIFT LINK ASSEMBLY	1
10	HFEAA000	HYDRAULIC KIT	1
11	CBBCM002	RAM LUG	1
12	WSJDDDB0	RIM & TYRE ASSEMBLY	2
13	FABHA025	BOLT M16	1
14	FFBHA000	NUT NYLOC M16	1
15	FABJA050	BOLT M20	8
16	FGBKA065	PIN	2
17	FKAEA000	LYNCH PIN 6MM	2

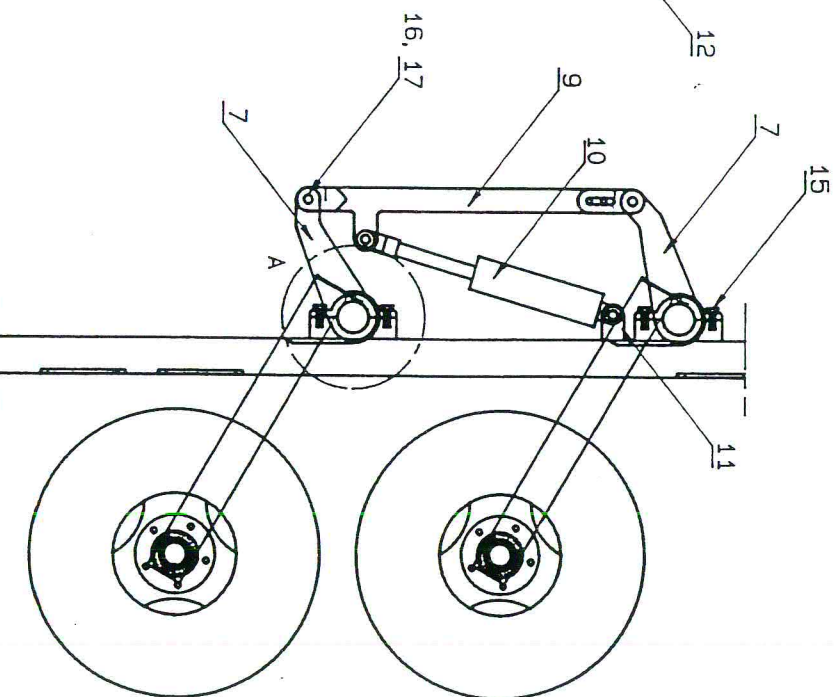
NR	QTY	PART, MATERIAL	DIMENSIONS	PART NO.
GRIZZLY ENGINEERING PTY				
TITLE: WHEEL LIFT ASSY - GRUMPY				
PART NO				
SCALE	1: 15	DATE: 1.08.88	DRG NO.	GWLA



DETAIL A
SCALE 1:7



TOP VIEW



SIDE VIEW

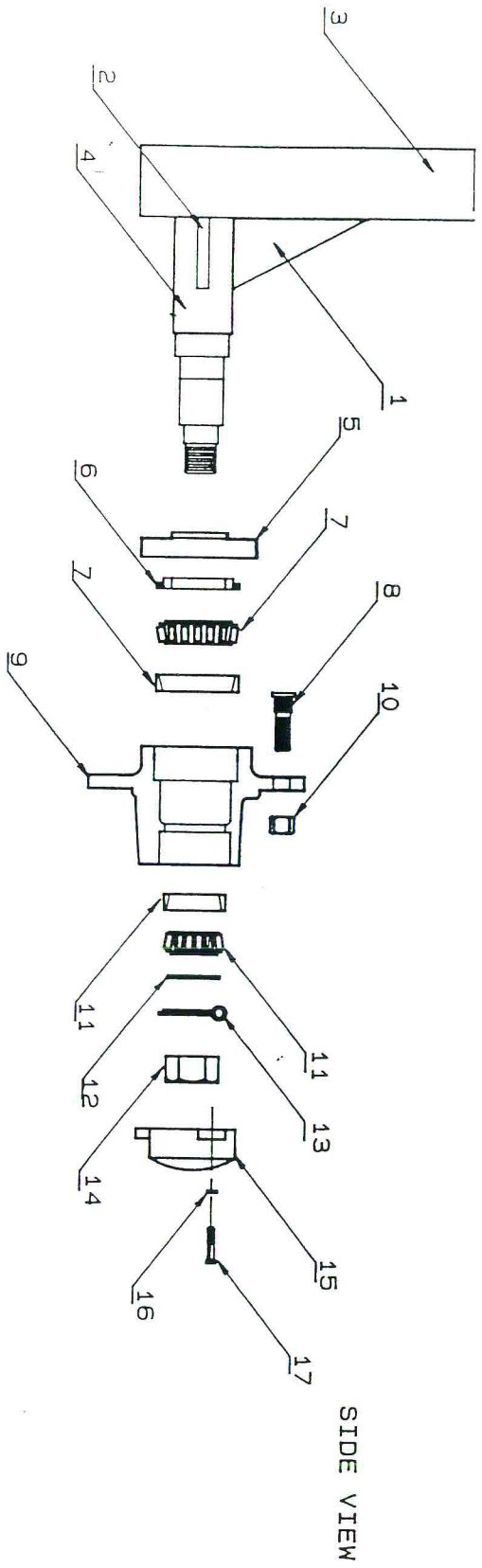
GRUMPY SERIES I

* STUB & HUB ASSEMBLY - WMJAA265

<u>NO.</u>	<u>PART NO.</u>	<u>DESCRIPTION</u>	<u>QTY.</u>
1	CAEEG000	GUSSET - STUB AXLE	1
2	CJAZG000	GUSSET - STUB AXLE	1
3	MHHHA920A	WHEEL ASSEMBLY LEG	1
4	WAJAA265	STUB AXLE BARE	1
5	BNJAA000	DUST COVER	1
6	BNJBA000	SEAL FOR H60 HUB	1
7	BGAA000	BEARING FOR H60 HUB LARGE	1
8	FDBHA000	STUB WHEEL 5/8 X 1 7/8	5
9	WJAA000	HUB H60 BEARING FITTED	1
10	FFFHA000	NUT WHEEL 5/8	5
11	BCJAA000	BEARING FOR H60 HUB SMALL	1
12	FMASAK00	FLAT WASHER	1
13	FKCEA063	SPLIT PIN	1
14	FFCPA000	NUT SLOTTED 1 1/4	1
15	WKJAA000	CAP FOR H60 HUB	1
16	FMBDCB00	WASHER SPRING 6MM	3
17	FABDA016	BOLT M6	3

NOTE: BAJAA000 - H60 BEARING KIT CONSISTS OF ITEMS 6, 7, 11 & 13.

* MACHINES BUILT PRE 1987 MAY HAVE H40 OR H50 HUBS FITTED, REFER TO MASTER FILE.



EXPLODED VIEW.

SIDE VIEW

11

ALL DIMENSIONS IN MILLIMETERS.
TOLERANCES
LINEAR ± 0.5
ANGULAR ± 0.5

GRIZZLY ENGINEERING.

TITLE:
GRUMPY SERIES II - WHEEL ASSY KIT.

DRAWN G. BAILEY
CHECKED
APPROVED

DATE 10-7-90

SCALE NO SCALE

DRAWING NO. GJEA0011

A3

ISSUE	DATE	ZONE	CHANGE	BY	CKD

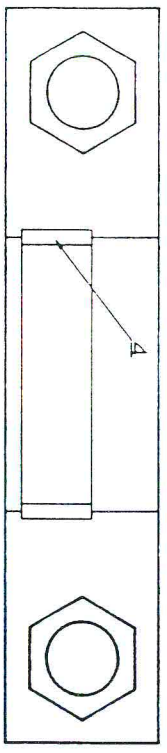
AMENDMENTS.

1 2 3 4 5 6 7 8

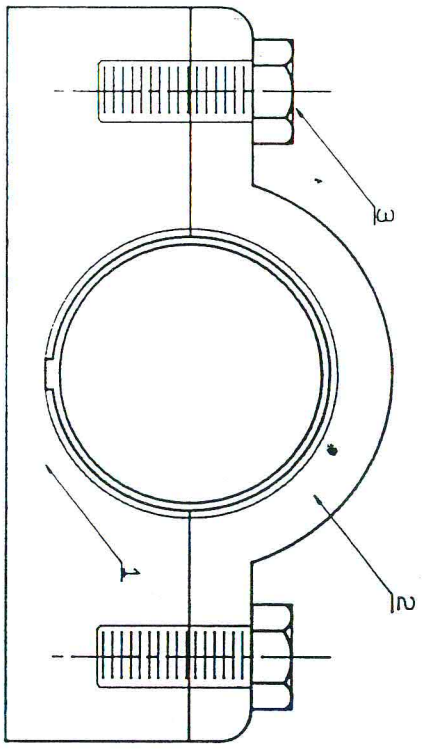
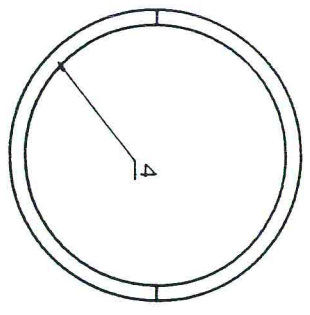
GRUMPY SERIES I

LIFT ASSEMBLY SHAFT CLAMP - GNBEBH000

<u>NO.</u>	<u>PART NO.</u>	<u>DESCRIPTION</u>	<u>QTY.</u>
1	CGEEU000	SHAFT CLAMP BOTTOM	1
2	CGEEU001	SHAFT CLAMP TOP	1
3	FABJJA050	BOLT M20	2
4	BMNTA020A	VESSONITE 20MM	1



TOP VIEW



ELEVATION

NOTE:
BOLT BOTH PLATES TOGETHER FOR MACHINING
BLUE BOTH PIECES OF VERICONITE INTO HOUSING

ALL DIMENSIONS IN MILLIMETERS.
TOLERANCES
LINEAR ± 0.8
ANGULAR ± 0.8

13

GRIZZLY ENGINEERING.

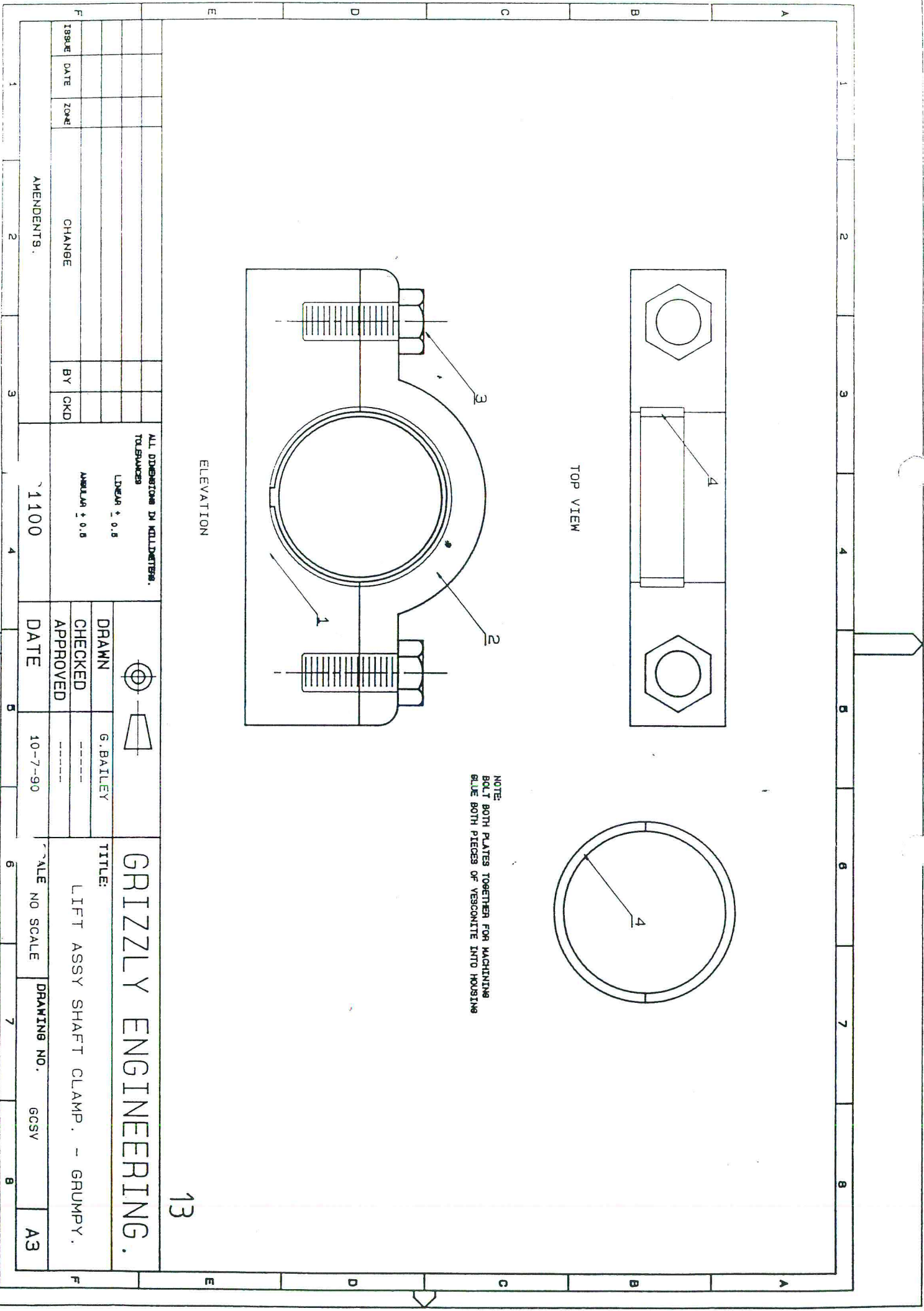
LIFT ASSY SHAFT CLAMP. - GRUMPY.

ISSUE	DATE	ZONE	CHANGE	BY	CHKD

DRAWN	G. BAILEY
CHECKED	---
APPROVED	---
DATE	10-7-90

TITLE:	GRIZZLY ENGINEERING.
SCALE	NO SCALE
DRAWING NO.	GCSV
	A3

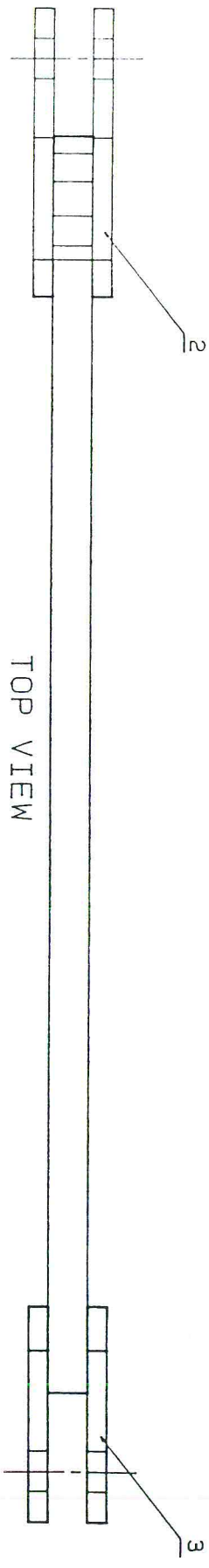
AMENDMENTS.



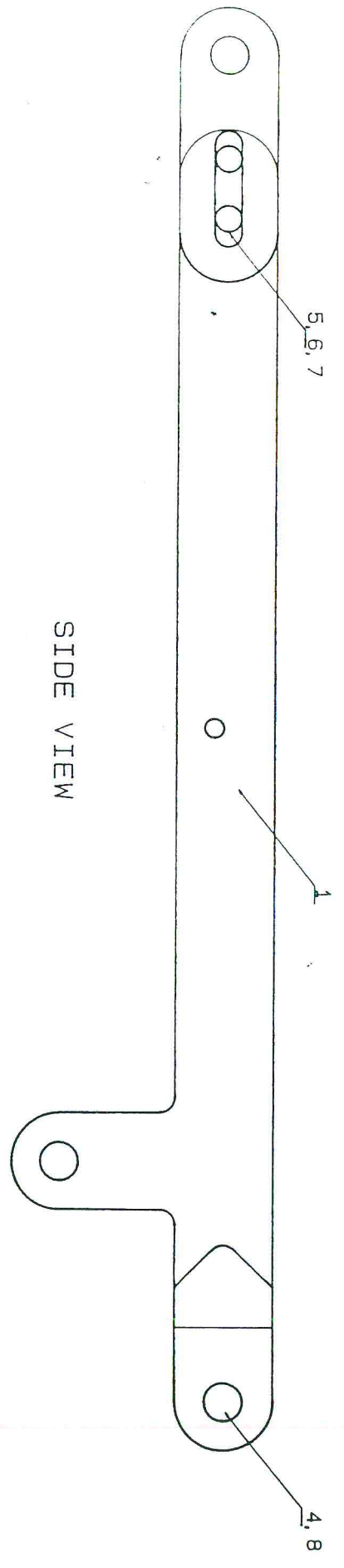
GRUMPY SERIES I

WHEEL LIFT LINK - GJEA0000

<u>NO.</u>	<u>PART NO.</u>	<u>DESCRIPTION</u>	<u>QTY.</u>
1	CGDEM000	LINK ARM	1
2	CCDCG001	ADJUSTABLE LUG	2
3	CCDCG000	LUG	2
4	FGBKA065	PIN	2
5	FABJA065	BOLT M16	2
6	FFAHA000	NUT BLACK M16	2
7	FMCHE000	WASHER	4
8	FKAEA000	LYNCH PIN 6MM	2



TOP VIEW



SIDE VIEW

15

NR	QTY	PART. MATERIAL	DIMENSIONS	PART NO.
GRIZZLY ENGINEERING PTY				
TITLE: WHEEL LIFT LINK ASSY - GRUMPY				
PART NO				
SCALE	1:3	DATE: 26.07.88	DRG NO.	GWLLA

GRUMPY SERIES I

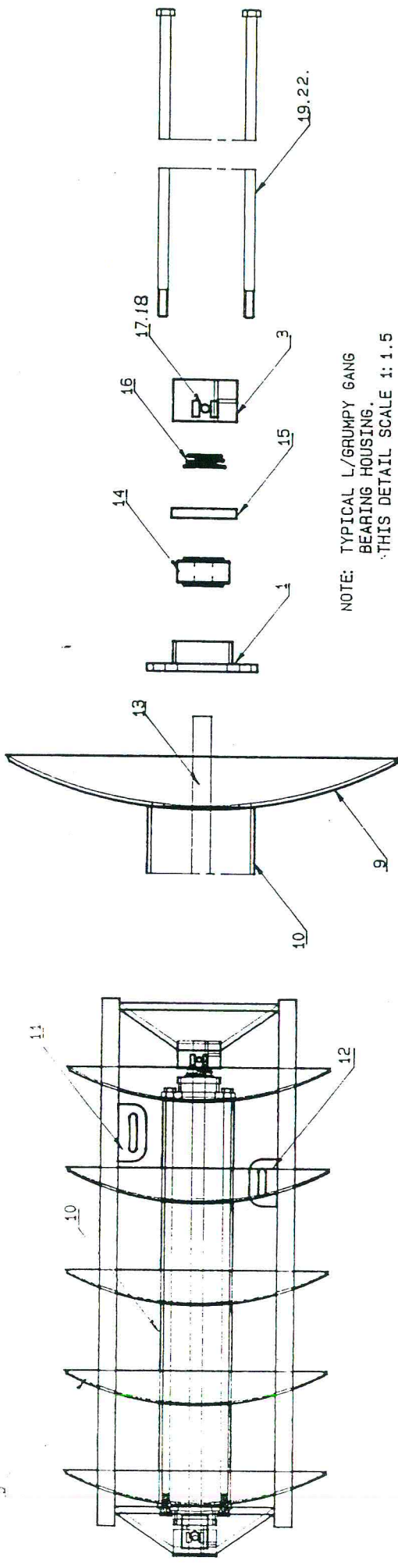
GANG NO. 1

<u>NO.</u>	<u>PART NO.</u>	<u>DESCRIPTION</u>
1	* BEB085B0	LEAD BEARING HOUSING ASSEMBLY
2	* BFB085B0	THRUST BEARING HOUSING ASSEMBLY
3	GEAEA000	SINGLE AXLE CARRIER ASSEMBLY R.H.
4	GEADA000	SINGLE AXLE CARRIER ASSEMBLY L.H.
5	FABGA050	BOLT M12
6	MADGA079A	SCRAPER LUG
7	GFBA0210	SCRAPER ASSEMBLY L.H.
8	CBBCG000	GANG PIVOT LUG
9	D24DSB03	DISC
10	MECPA230	SPOOL 230MM
11	LACGA075	SLOT 75MM
12	LACGA050	SLOT 50MM
13	MJBHB170A	28MM AXLE
14	* BPAAB000	BEARING 28 X 85 CYLINDRICAL
15	BNSTA000	DUST COVER
16	FHCPA035	GANG SPRING
17	FABGA065	BOLT M12
18	FFBGA000	NYLOC NUT M12
19	FAAHB000	GANG BOLT M16 5 DISC
20	MGFEA010	10MM SPACER
21	CJAZE000	PIVOT LUG GUSSET
22	FFBHA000	NYLOC NUT M16

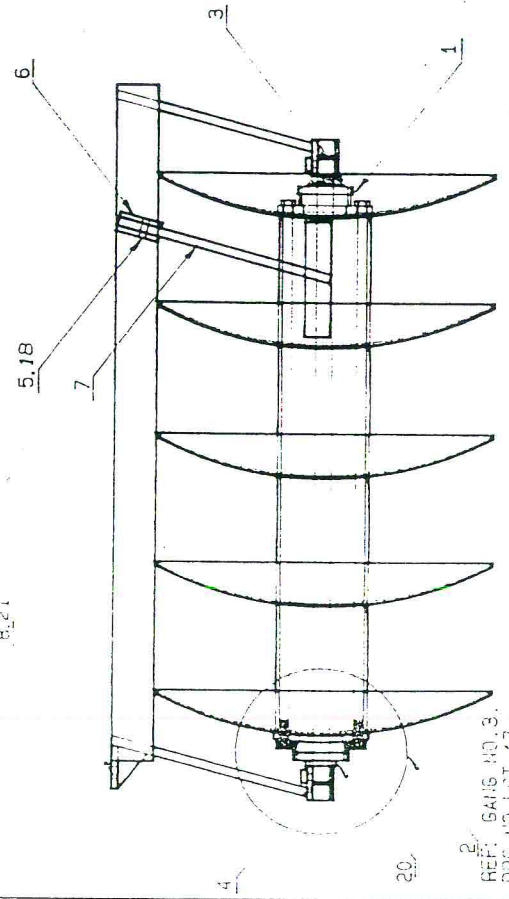
NOTE * CHANGE HAS BEEN MADE REFER TO PAGE 29.

* BEB085B0 AND BFB085B0 BEARING HOUSING (CYLINDRICAL), HOUSINGS ONLY ARE NO LONGER STOCKED, HAVE BEEN REPLACED BY BEB080B0 AND BFB080B0 BEARING HOUSINGS (SPHERICAL) WHICH WILL SUIT SERIES I MACHINES.

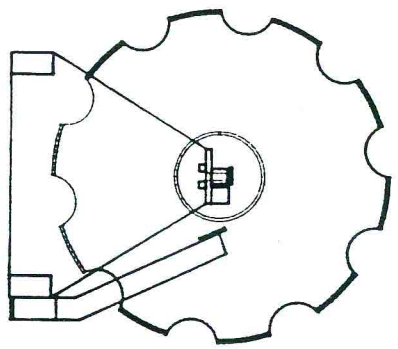
* BPAAB000 CYLINDRICAL BEARING 28 X 85 IS STOCKED AT GRIZZLY.



NOTE: TYPICAL L/GRUMPY GANG
BEARING HOUSING.
THIS DETAIL SCALE 1:1.5



REF: GANG NO. 3.
DRG NO. LIST 27.



GRUMPY SERIES I

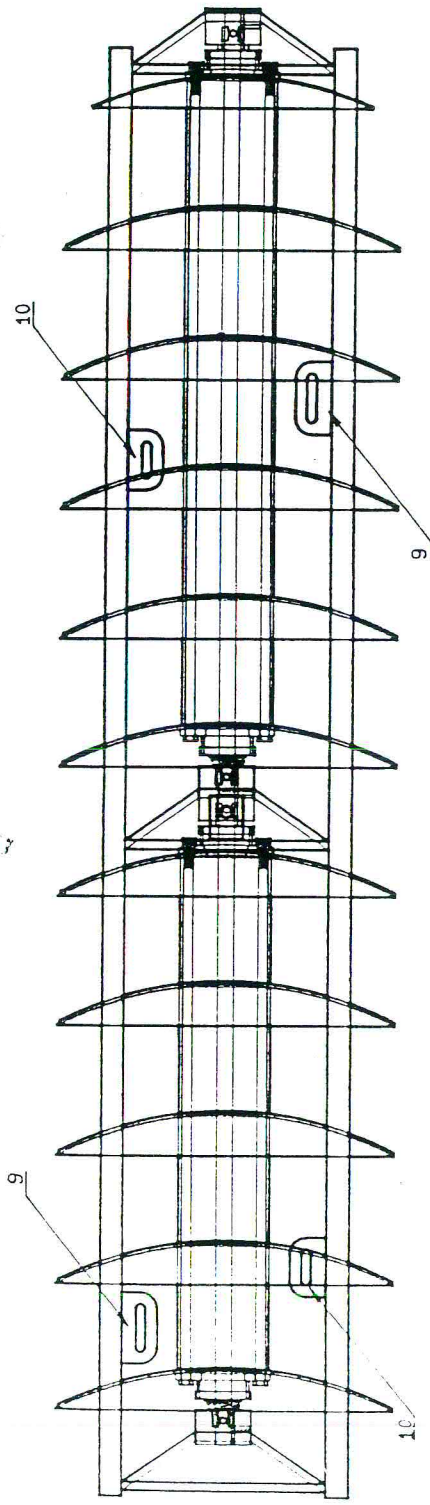
GANG NO. 2

<u>NO.</u>	<u>PART NO.</u>	<u>DESCRIPTION</u>
1	*BEB085B0	LEAD BEARING HOUSING ASSY
2	*BFB085B0	THRUST BEARING HOUSING ASSY
3	D24DSB03	24" DISC.
4	MECPA230	SPOOL 230MM
5	GEABA000	DOUBLE AXLE CARRIER
6	GEADA000	SINGLE AXLE CARRIER L.H.
7	GEAEA000	SINGLE AXLE CARRIER R.H.
8	CBBCG000	GANG PIVOT LUG
9	LACGA075	SLOT
10	LACGA050	SLOT
11	CJAZE000	GUSSET

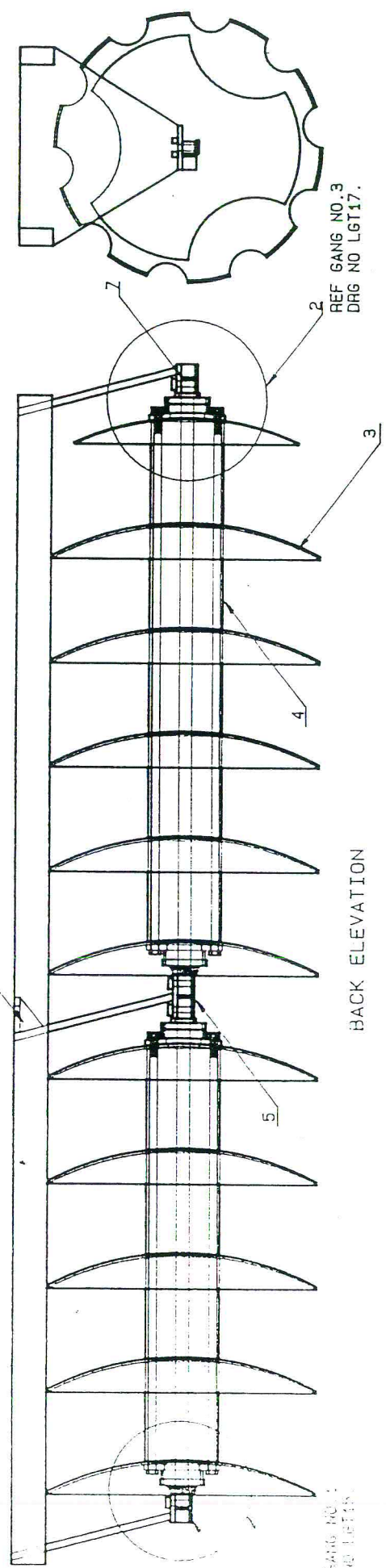
NOTE: * BEB085B0 AND BFB085B0 BEARING HOUSING (CYLINDRICAL), HOUSINGS ONLY ARE NO LONGER STOCKED, HAVE BEEN REPLACED BY BEB080B1 AND BFB080B0 (SPHERICAL) WHICH WILL SUIT SERIES I MACHINES.

* BPAAB000 CYLINDRICAL BEARING 28 X 85 IS STOCKED BY GRIZZLY.

* CHANGE HAS BEEN MADE REFER TO PAGE 29.



TOP VIEW



BACK ELEVATION

REF GANG NO. 3
DRG NO LGT17.

GRUMPY SERIES I

GANG NO. 3

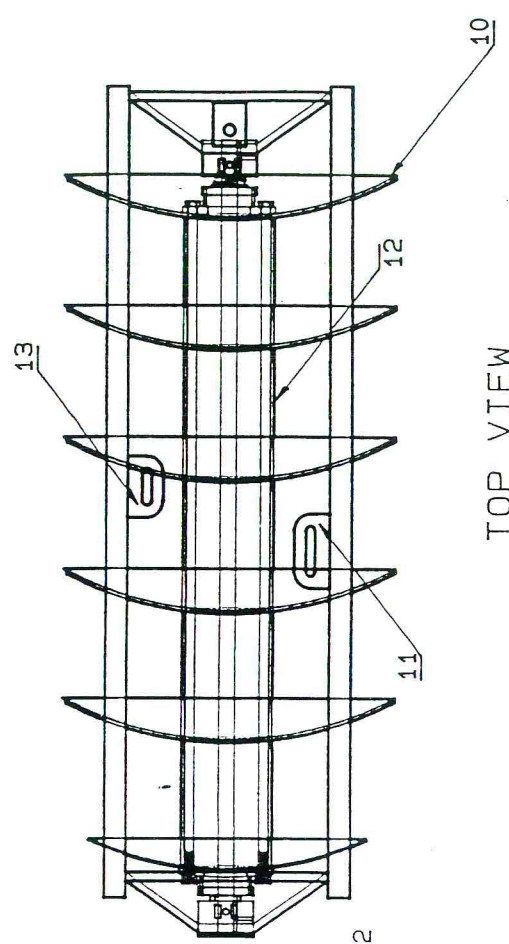
<u>NO.</u>	<u>PART NO.</u>	<u>DESCRIPTION</u>
1	*BEB085B0	LEAD BEARING HOUSING ASSY
2	*BFB085B0	THRUST BEARING HOUSING ASSY
3	GEAEA000	SINGLE AXLE CARRIER R.H.
4	FHCPA035	GANG SPRING
5	GEADA000	SINGLE AXLE CARRIER L.H.
6	MADGA079A	SCRAPER LUG
7	FABGA050	BOLT M12
8	GFBA0210	SCRAPER ASSEMBLY L.H.
9	CBBCG000	GANG PIVOT LUG
10	D24DSB03	24" DISC
11	LACGA075	SLOT 75MM
12	MECPA230	SPOOL 230MM
13	LACGA050	SLOT 50MM
14	*BPAAB000	BEARING 28 X 85 CYLINDRICAL
15	BNSTA000	DUST COVER
16	MGFEA010	10MM SPACER
17	FABGA065	BOLT M12
18	MJBHB400	28MM AXLE
19	FAAHB240	GANG BOLT M16
20	FFBHA000	NYLOC NUT M16
21	CJAZE000	GUSSET
22	FFBGA000	NYLOCK NUT M12

NOTE:

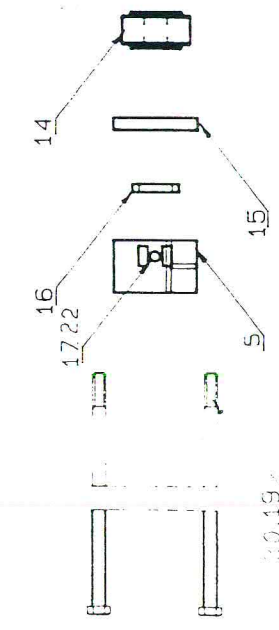
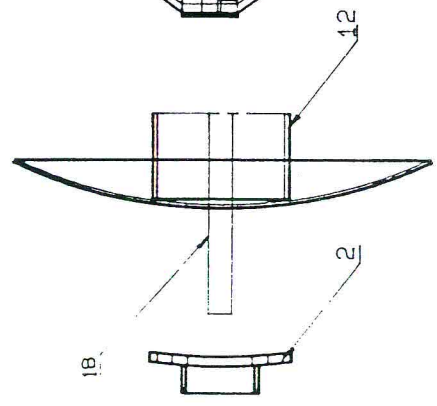
* CHANGE HAS BEEN MADE REFER TO PAGE 29.

* BEB085B0 AND BFB085B0 BEARING HOUSINGS (CYLINDRICAL BEARING), HOUSINGS ONLY ARE NO LONGER STOCKED, HAVE BEEN REPLACED BY BEB080B0 AND BFB080B0 BEARING HOUSING (SPHERICAL BEARING) WHICH WILL SUIT SERIES I MACHINES.

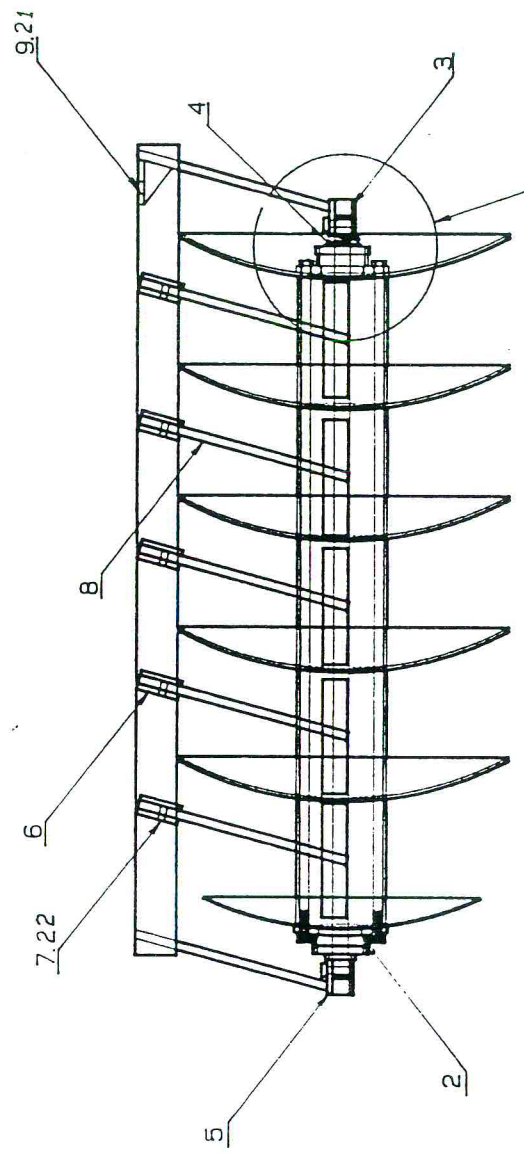
* BPAAB000 CYLINDRICAL BEARING 28 X 85 IS STOCKED BY GRIZZLY.



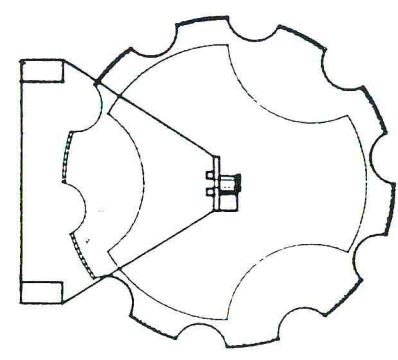
TOP VIEW



NOTE: TYPICAL L/GRUMPY GANG
BEARING HOUSING.
THIS DETAIL SCALE 1:1.5



ELEVATION



SIDE VIEW

REF GANG NO.1
DRG NO LGT15.

GRL 1PY TRAILING - GANG NO.3

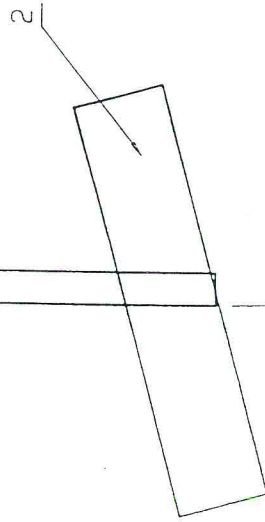
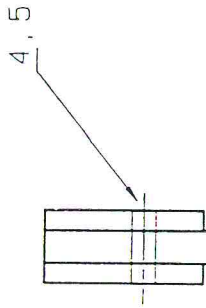
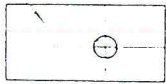
GRUMPY SERIES I

SCRAPER ASSEMBLY LEFT HAND - GFBAA210

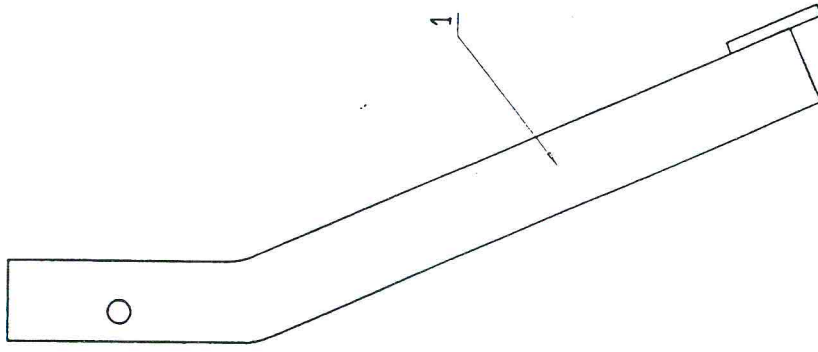
<u>NO.</u>	<u>PART NO.</u>	<u>DESCRIPTION</u>	<u>QTY.</u>
1	MAGGA417A	SCRAPER ARM	1
2	MCCHA210	SCRAPER PAD	1
3	*MADGA079A	SCRAPER LUG	2
4	FABGA050	BOLT M12	1
5	FFBGA000	NYLOC NUT M12	1

NOTE: RIGHT HAND SCRAPER - PART NO. GFBBA210

*CHANGE HAS BEEN MADE REFER TO PAGE 29



75°



GRIZZLY ENGINEERING PTY	
TITLE: GRUMPY TR. SCRAPER	
PART NO	DATE: 1 07 88
SCALE 1:2	DRG NO.GFBAA210

23

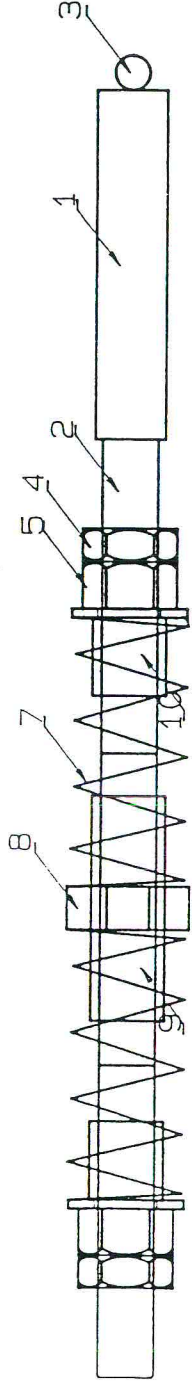
SCRAPER

GRUMPY SERIES I

LEVEL ROD ASSEMBLY - GKCD00000

<u>NO.</u>	<u>PART NO.</u>	<u>DESCRIPTION</u>	<u>QTY</u>
1	MJBKA200	SQUARE BAR 40 X 40	1
2	FPJPA540	THREADED BAR	1
3	MDEJA075	PIN	1
4	FFDPA000	HALF NUT	2
5	FFGPA001	SPRING ASSY NUT	2
7	FHNJA160	SPRING	2
8	CGBAM000	SWIVEL BLOCK	1
9	MECEA130	PIPE 130mm	1
10	MECEA0045	PIPE 45mm	2

C

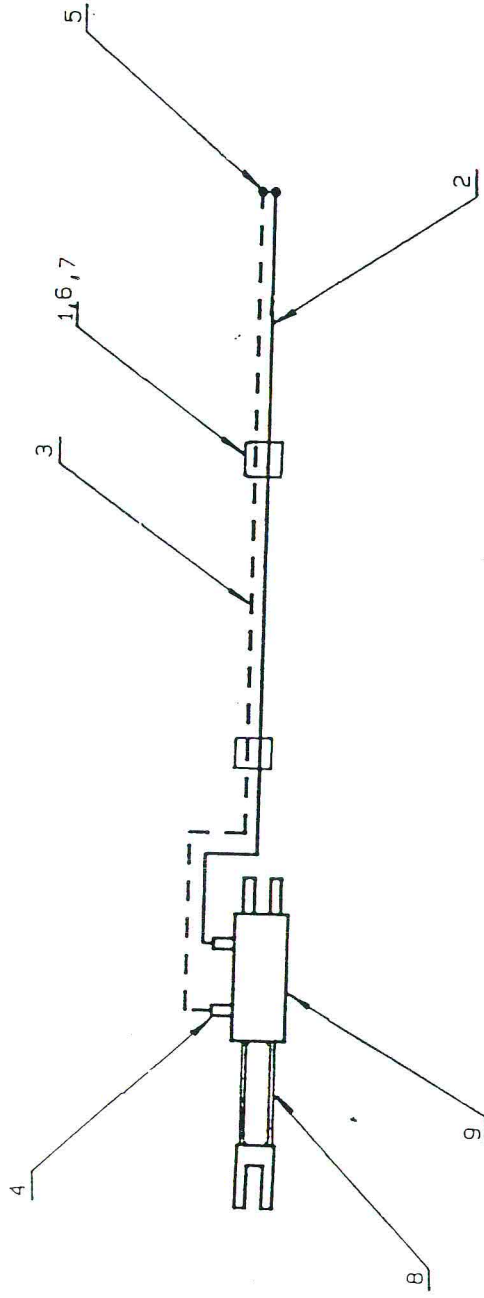


LITTLE GRUMPY TRAILING - LEVELING ROD

GRUMPY SERIES I

HYDRAULIC KIT

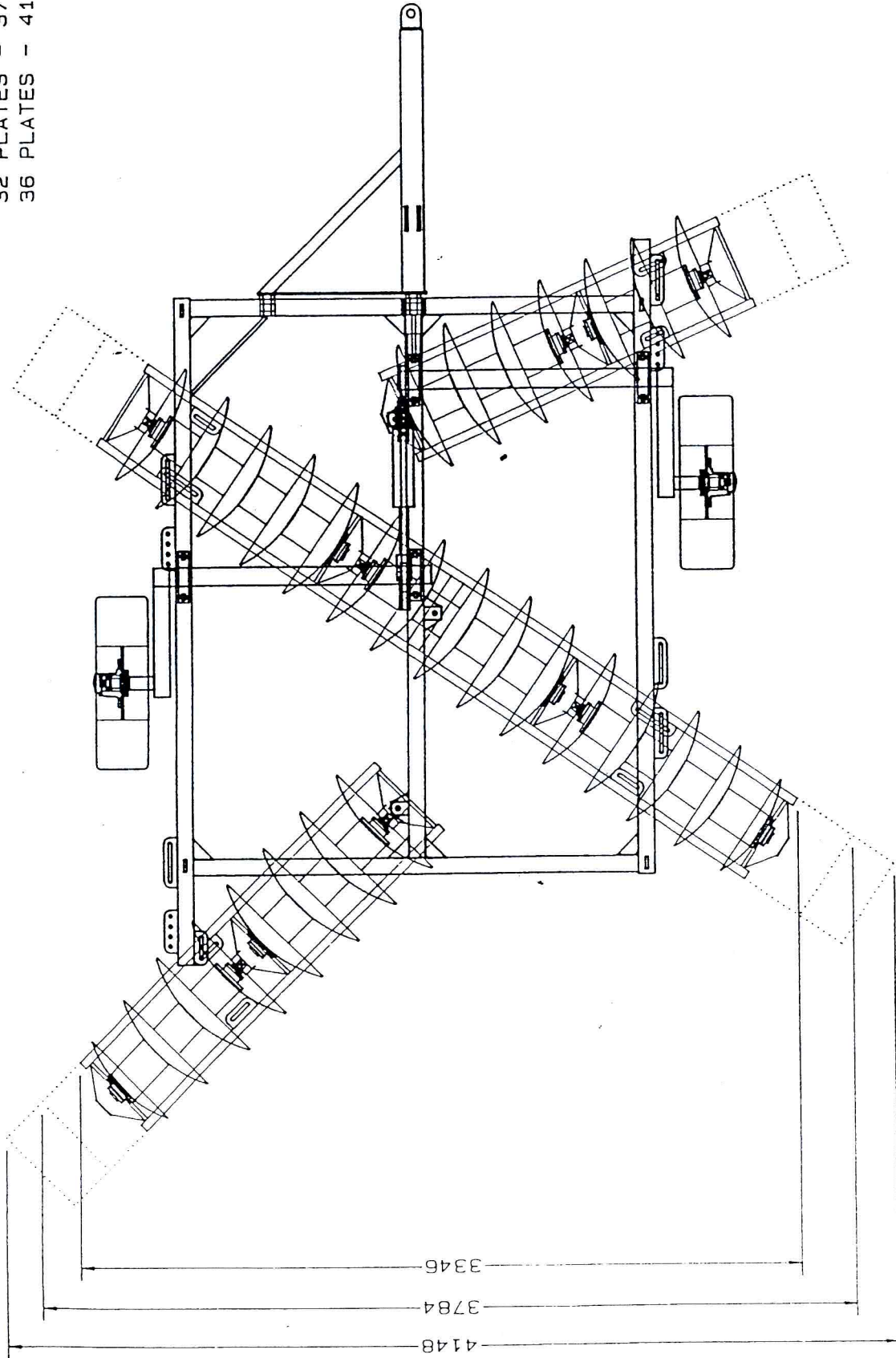
<u>NO.</u>	<u>PART NO.</u>	<u>DESCRIPTION</u>	<u>QTY.</u>
1	FABEA045	BOLT M8	2
2	HGCAD400	HOSE (3,400) HHAKBU07 HHAKMU07	1
3	HGCAD600	HOSE (3,600) HHAKBU07 HHAKMU07	1
4	HHABAM07	FITTING	2
5	HHDMNW07	QUICK RELEASE COUPLING	2
6	HJBCA000	CLAMP SHELL	4
7	HJBFA000	TOP PLATE	2
8	HRBAA235	TRANSPORT BLOCK 235MM	1
9	HYA300/08	HYD. CYL. 3 X 8 1" PINS	1



GRIZZLY ENGINEERING PTY. LTD	
TITLE:	GRUMPY SERIES I .HYDRAULIC SYSTEM.
PART N.	
DATE:	1-11-80
DRG NO.	HFCAR000

MACHINE WIDTH

- 28 PLATES - 3346 MM (10.97 FT)
- 32 PLATES - 3784 MM (12.4 FT)
- 36 PLATES - 4148 MM (13.6 FT)



NR	QTY	PART, MATERIAL	DIMENSIONS	PART NO.
		GRIZZLY ENGINEERING PTY		
		TITLE: GRUMPY - DIMENSIONS IN TRANSPORT		
		PART NO		
		SCALE	1: 20	DATE: 10.10.88
				DRG NO. GMWGF

CHANGES - GRUMPY SERIES I

REFERENCE PAGE	ITEM	OLD PART NO.	NEW PART NO.	DATE OF CHANGE	SERIAL NO. OF CHANGE	NOTES
16, 20, 22	6, 3	MADHA100	MADGA079A	AUGUST '88		FROM SINGLE SCRAPER LUGS TO DOUBLE LUGS.
16, 18, 20	1	BEB085B0	BEB080B0		G28-289	FROM CYLINDRICAL BEARING TO SPHERICAL BEARING. FOR MORE INFORMATION REFER TO MASTER FILE.
16, 18, 20	2	BFB085B0	BEB080B0		G28-289	FROM CYLINDRICAL BEARING TO SPHERICAL BEARING. FOR MORE INFORMATION REFER TO MASTER FILE.
16, 20	14	BPAAB000	BPAAB001		G28-289	FROM CYLINDRICAL BEARING TO SPHERICAL BEARING. FOR MORE INFORMATION REFER TO MASTER FILE.

