

Grizzly Grumpy Series PART NO. XCDMGC01

ISSUE #4 FROM SERIAL NO. 6144



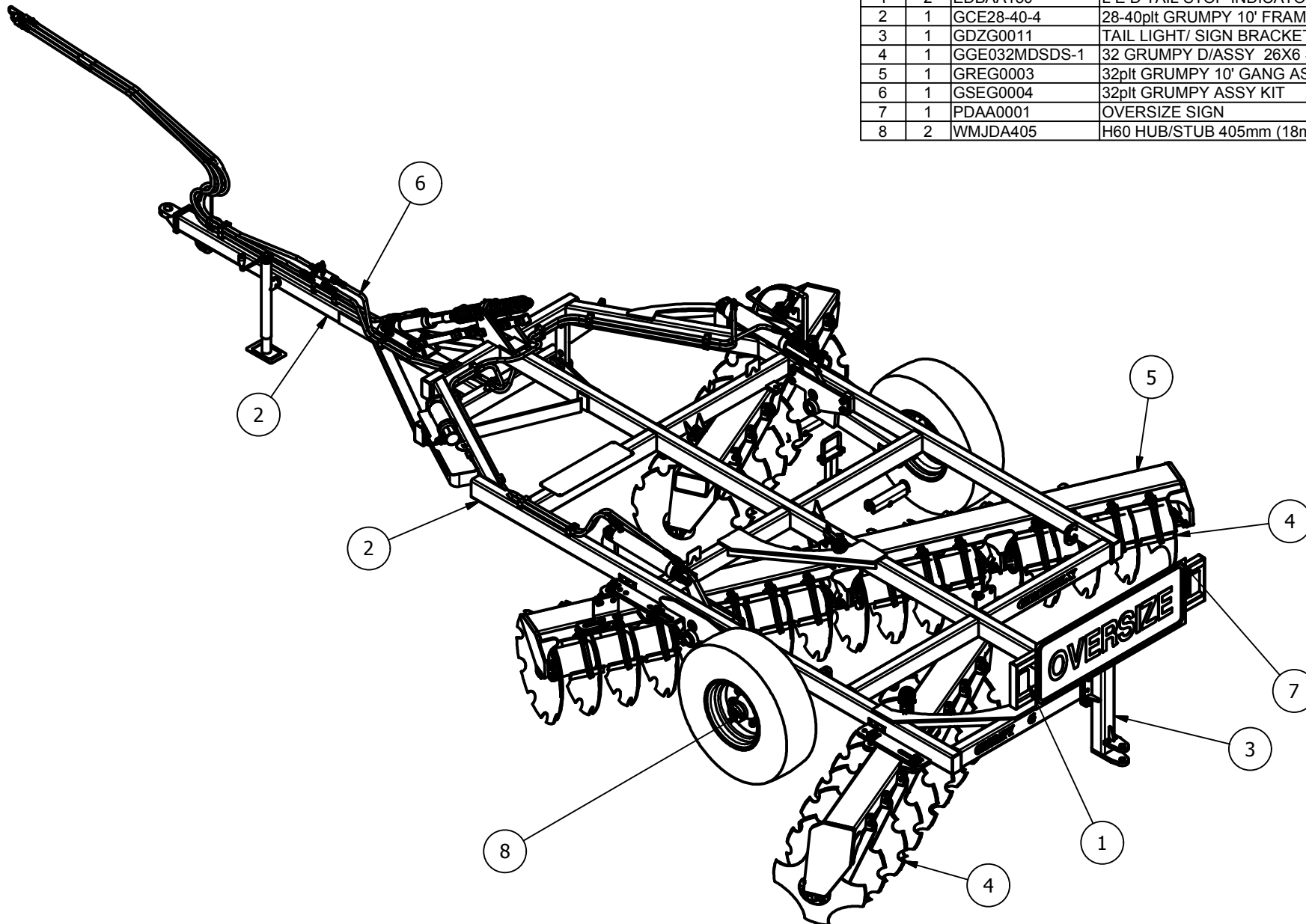
GRUMPY
XCDMGC01

14 Parts

GRUMPY 32 PLATE

OE GRUMPY 032

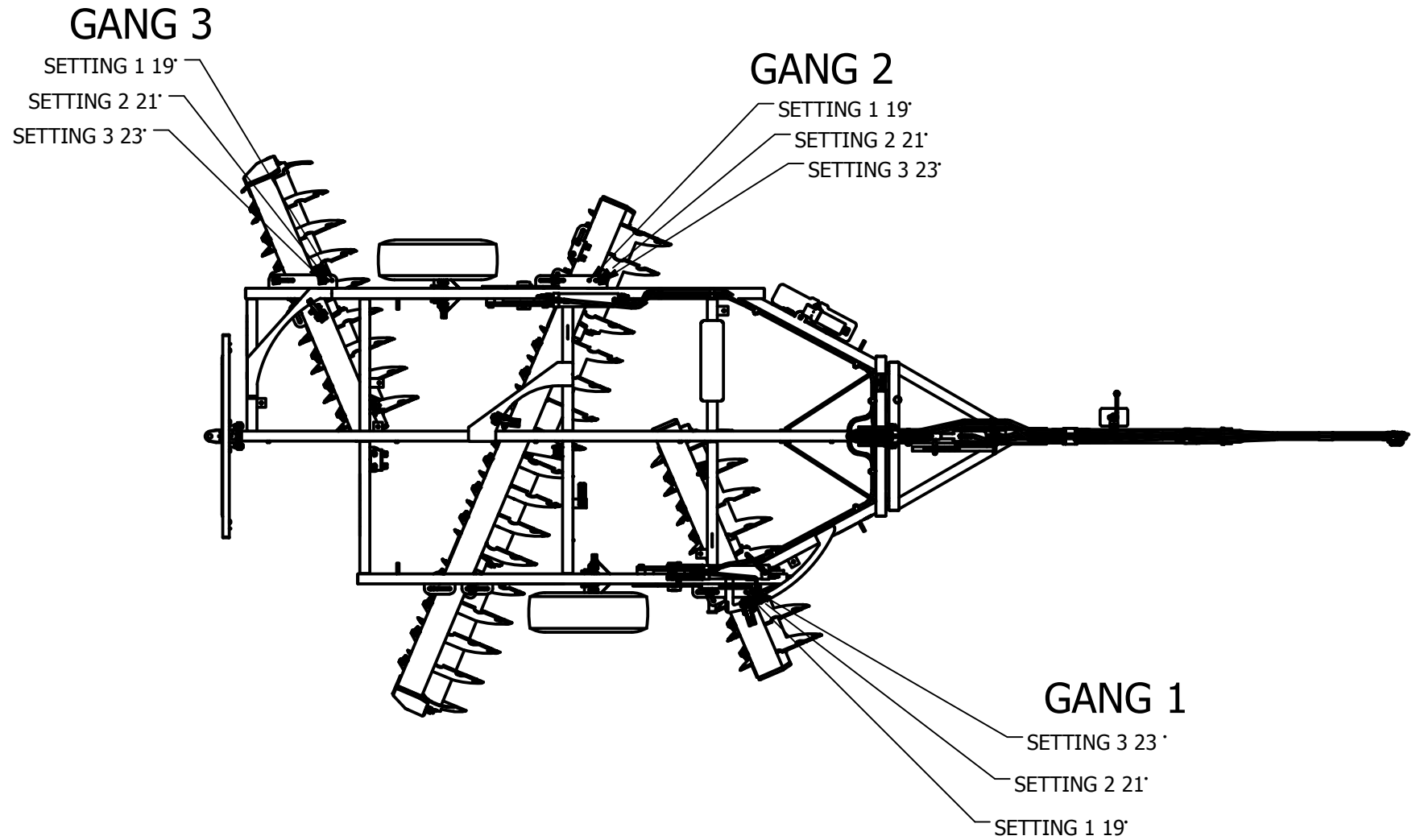
POS	QTY	PART NO	DESCRIPTION
1	2	EDBAA150	L E D TAIL STOP INDICATOR
2	1	GCE28-40-4	28-40pit GRUMPY 10' FRAME
3	1	GDZG0011	TAIL LIGHT/ SIGN BRACKET
4	1	GGE032MDSDS-1	32 GRUMPY D/ASSY 26X6 SC F&R
5	1	GREG0003	32pit GRUMPY 10' GANG ASSY
6	1	GSEG0004	32pit GRUMPY ASSY KIT
7	1	PDAA0001	OVERSIZE SIGN
8	2	WMJDA405	H60 HUB/STUB 405mm (18mm 6 STUD)



L:\Inventor\Grumpy\32 PLATE.idw

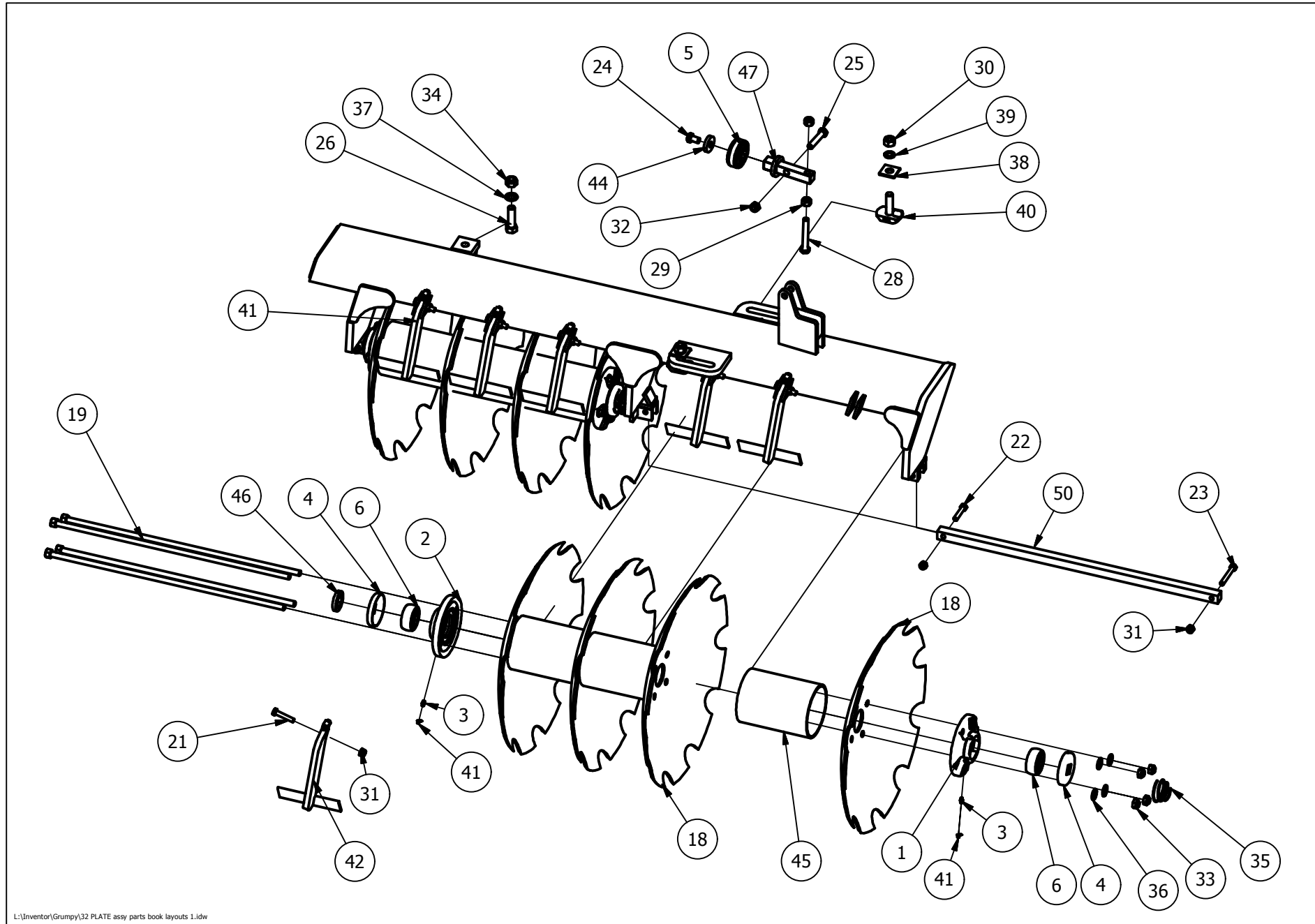
GRUMPY 32 PLATE GANG ANGEL ADJUTMENT

GSEG0004



L:\Inventor\Grumpy\32 PLATE.idw

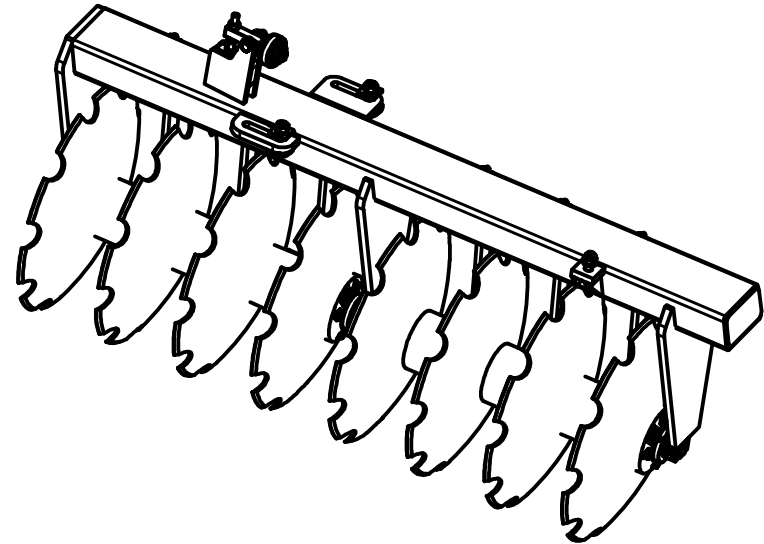
GRUMPY 32 PLATE GANG 1



L:\Inventor\Grumpy\32 PLATE assy parts book layouts 1.lidw

GRUMPY 32 PLATE GANG 1

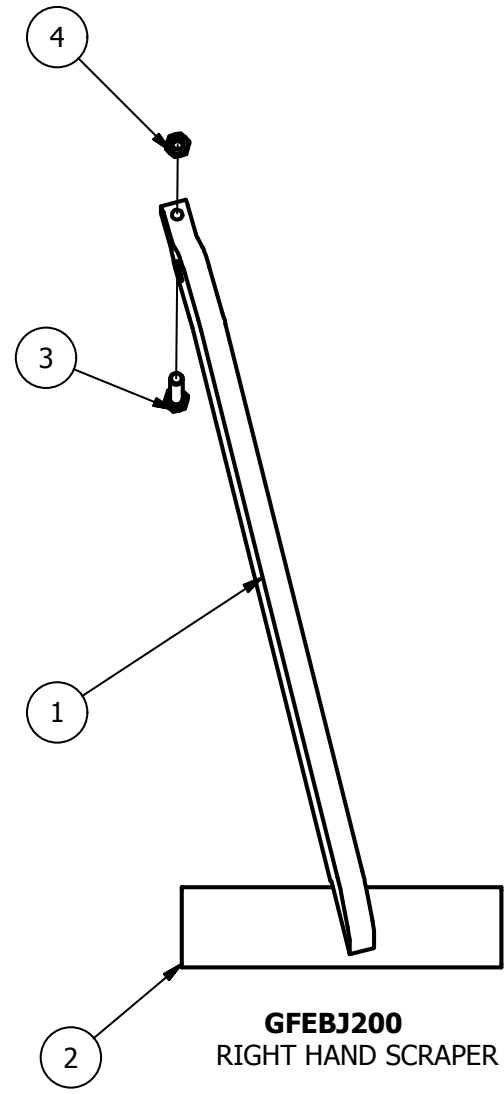
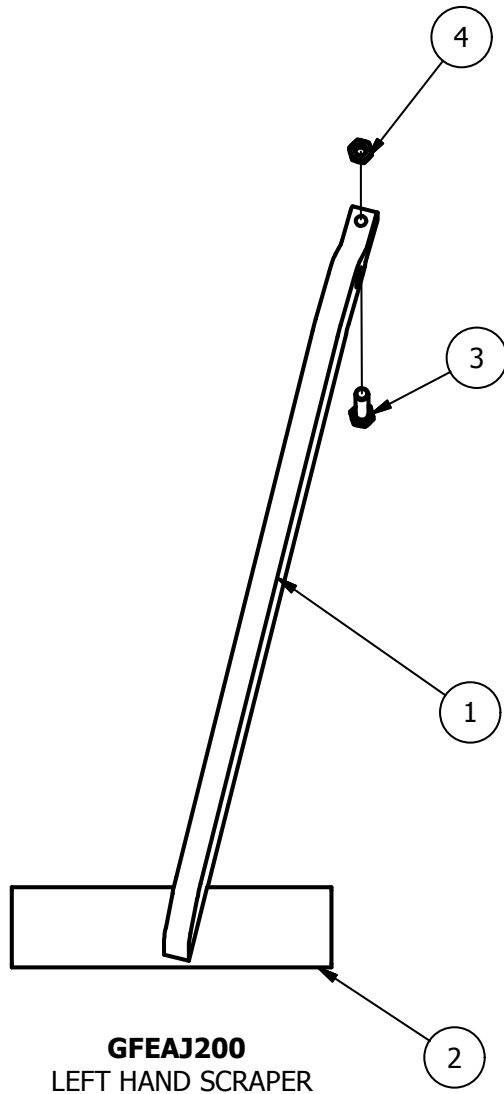
POS	QTY	PART NO	DESCRIPTION
1	8	BEB080B0	LEAD 4 BOLT BEARING HOUSING
2	8	BFB080B0	THRUST 4 BOLT BEARING HOUSING
3	16	BMAAA000	GREASE NIPPLE 1/4" UNF
4	16	BNSTA000	METAL DUST COVER FOR 28MM BRG
5	1	BPAAB000Z	BEARING 28.57id SQx85.72 PAINT
6	16	BPAAB002	BEARING 80 SPHERICAL X 28.57 SQUARE
7	2	CAAUE005	PLATE 8mm GUSSET
8	2	CAAUE006	PLATE 8mm GANG GUSSET
9	2	CAAUE007	PLATE 8mm GANG GUSSET
10	4	CBAEP000	SINGLE AXLE CARRIER
11	4	CDAEG003	PLATE 12mm ROLLER SIDE
12	2	CFAEC000	5mm CAP FOR 200X100 x 9
13	2	CGAEJ003	20mm END PLATE GRUMPY LEFT
14	4	CGAEJ005	CENTER GANG AXEL HANGER
15	4	CJAZE002	PLATE 8mm TRANGLE 70x70x100
16	2	D22BSB04	DISC 22 X 6mm 4 BOLT FILLER
17	2	D24DSB03	24" x 1/4"(610x6)4 bolt scalloped
18	30	D26DSB02	26" x 1/4"(660x6)4 bolt scalloped
19	24	FAAHA765	GANG BOLT M16 - 4 DISC (765mm)
20	8	FAAHB000	GANG BOLT M16 - 5 DISC (1000mm)
21	52	FABGA060	BOLT M12 X 60
22	4	FABGA065	BOLT M12 X 65 PC 8.8
23	4	FABGA090	BOLT M12 X 90 PC 8.8
24	1	FABHA025	BOLT M16 X 25 PC 8.8 t190Nm
25	1	FABHA080	BOLT 16 X 80
26	1	FABJA070	BOLT M20 X 70 pc 8.8 COARSE
27	2	FABJA080	BOLT M20 X 80 pc 8.8 COARSE
28	1	FEBHA100	100 X 16 SET SCREW
29	2	FFAHA000	Hex Nut M16
30	2	FFAJA000	M20 ZINC HEX NUT



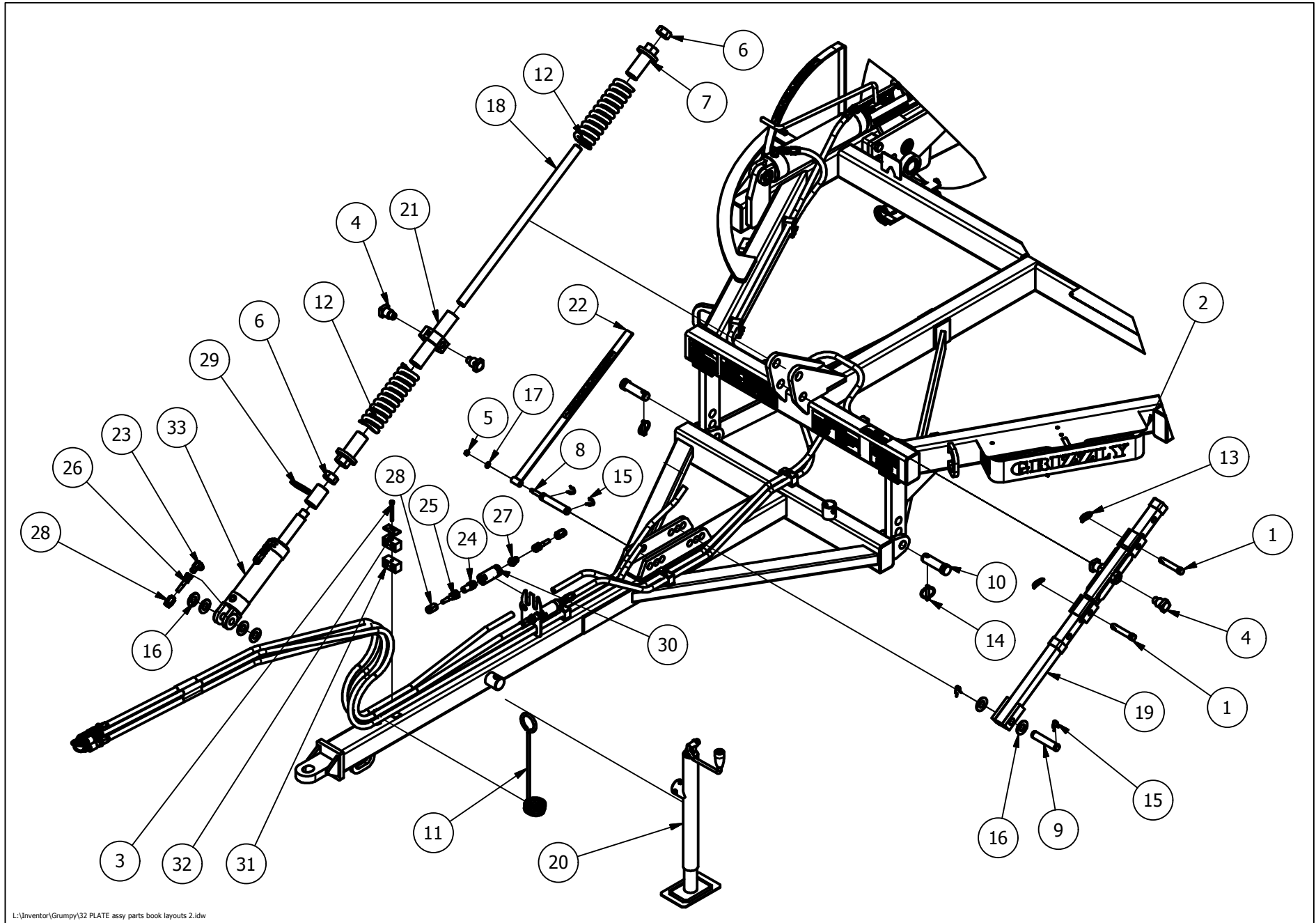
POS	QTY	PART NO	DESCRIPTION
31	60	FFBGA000	NYLOC NUT M12 P TYPE
32	1	FFBHA000	NUT NYLOC M16 P TYPE PC8 ZINC
33	32	FFBHA001	M16 CONE LOCK NUT
34	1	FFBJA000	NYLOC NUT M20 P TYPE 2.5
35	8	FHCPA035	1 1/8" CONICAL SPRING
36	32	FMCHE000	M16 STRUCTURAL WASHER
37	1	FMCJG000	M20 WASHER 3/4" F436 HARD
38	2	FMDJJN00	SQUARE WASHER M20 X 50 x 5
39	2	FMHJA000	20mm NORD LOCK
40	3	FSAA2001	20mm BOLT HEAD LOCK
41	16	FZA00GCW	GCWHITE CAP (GREASE NIPPLE)
42	26	GFEAJ200	LEFT SCRAPER GRUMPY
43	26	GFEBJ200	RIGHT SCRAPER GRUMPY
44	1	MDDEA009	ROUND 50mm (09mm) zinc
45	26	MECPA230	150 SPOOL (230)
46	8	MFHGA010	10mm SPACER 31 SQUARE
47	1	MFHGA010A	GANG AXLE SPACER
48	8	MJACA025	12mm SQUARE (25mm)
49	1	MJBHA162A	ROLLER AXLE GRUMPY GANGS 1&3
50	4	MJBHA920	4 DISC AXLE 28.57 SQUARE 920mm

L:\Inventor\Grumpy\32 PLATE assy parts book layouts 1.idw

POS	QTY	PART NO	DESCRIPTION
1	2	CMAEH001	16mm SCRAPER ARM - GRUMPY
2	2	MCCHA200	SCRAPER PAD (50x6x200)
3	2	FEBEA035	SET SCREW M8 X 35
4	2	FFAEA000	HEX NUT M8 COARSE ZINC PC8.8

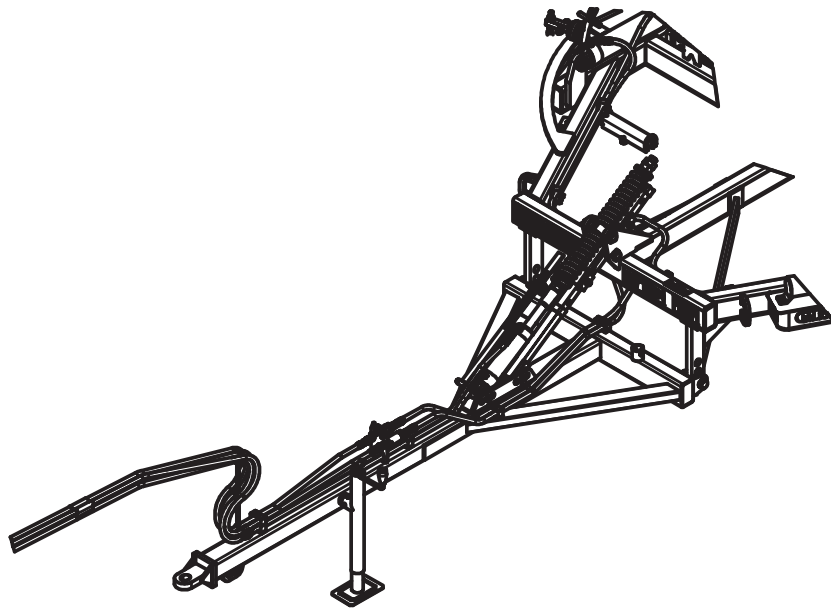


GRUMPY 32 PLATE PULL ASSEMBLY



L:\Inventor\Grumpy\32 PLATE assy parts book layouts 2.lidw

GRUMPY 32 PLATE PULL ASSEMBLY

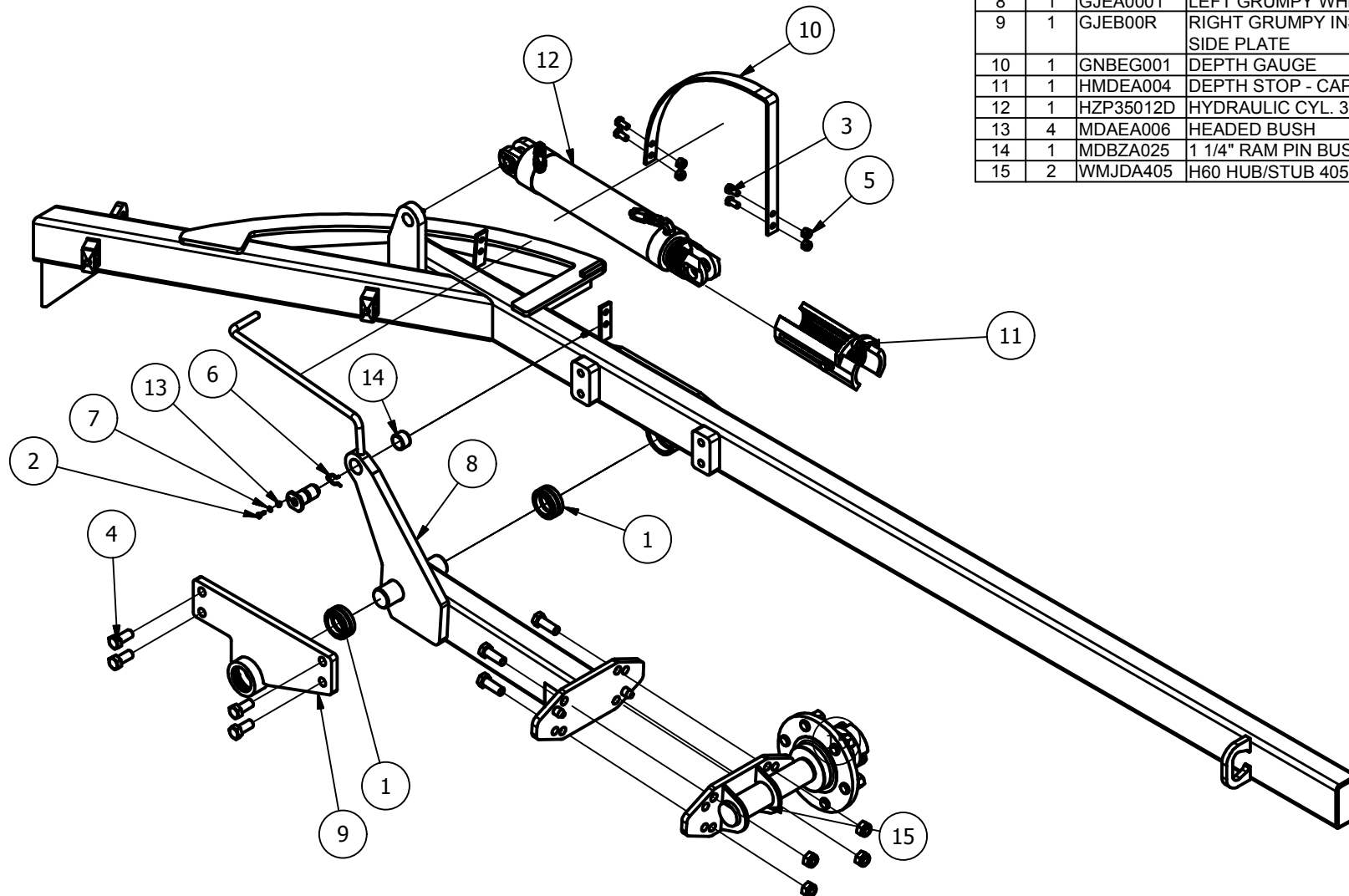


POS	QTY	PART NO	DESCRIPTION
1	2	ATS423	S74 CAT 1 TOP LINK PIN
2	1	CGBEE001	3mm TOOL BOX LID
3	1	FABEA080	BOLT M 8 X80
4	4	FABKA047B	BOLT M24x47 34mm SHANK zinc
5	1	FFAFA000	M10 Hex Nut ZINC AS1112
6	2	FFDPA000	1 1/4-7 BSW THIN NUT (ZINC COAT)
7	2	FFGPA090	SPRING ASSY NUT (31.75)x90mm
8	1	FGBKA135B	DEPTH GAGUE PIN 1" (200mm)
9	1	FGBKA135C	LOCKUP PIN 1" (130)
10	2	FGBPA080	PIN 31.75 X 82
11	1	FHKNA440	SPRING TYPE HOSE HOLDER
12	2	FHURA280	Spring 280 x 17 x 68 11 coils
13	3	FKAEA000	LYNCH PIN 6mm
14	2	FKAKA000	LYNCH PIN PIN 11MM
15	8	FKBDA000	RAM PIN CLIP
16	6	FMAMGK00	1" FLAT WASHER (ZINC COATED)
17	1	FMCFE000	M10 WASHER 3/8" F436 HARD ZYP
18	1	FPJPA760A	THREADED BAR 1 1/4" (760mm)
19	1	GDFE0002	LOCK UP ASSY, HYD PITCH 1053mm
20	1	GKFE0000	PARKING JACK - HEAVY-DUTY
21	1	GKUA0001	SWIVEL ASSY HEAVY PITCH CONT
22	1	GNJEA000	LEVEL GAUGE ASSY (715)
23	2	HHABAM07A	HYD 90~ ELBOW/RESTRICTOR (S99-548)
24	2	HHACAA06	BULKHEAD 1/2BSP Oring
25	2	HHAKBA05	INSERT 1/2"BSP FEMALE 3/8" HOSE STRAIGHT
26	8	HHAKBU07	INSERT 3/4JICF 3/8 HOSE 6040-0612
27	2	HHBEM000	STRAIGHT3/4JICM 1/2BSPPORINGM (S74-0812)
28	14	HHCPUA07	FIELD ATTACH FERRULE 3/8 NON SKIVE
29	1	HHFEZ002	PITCH CONTROL ADAPTER
30	2	HHKY0000	INLINE FILTER
31	14	HJBCA000	20mm DOUBLE HOSE CLAMP SHELLS
32	11	HJBFA000	TOP PLATE DOUBLE FOR GROUP 3
33	1	HYP250-06	HYD.CYL. 2.5 X 6 Pitch Ram

L:\Inventor\Grumpy\32 PLATE assy parts book layouts 2.idw

GRUMPY 32 PLATE RIGHT HAND WHEEL LEG ASSEMBLY

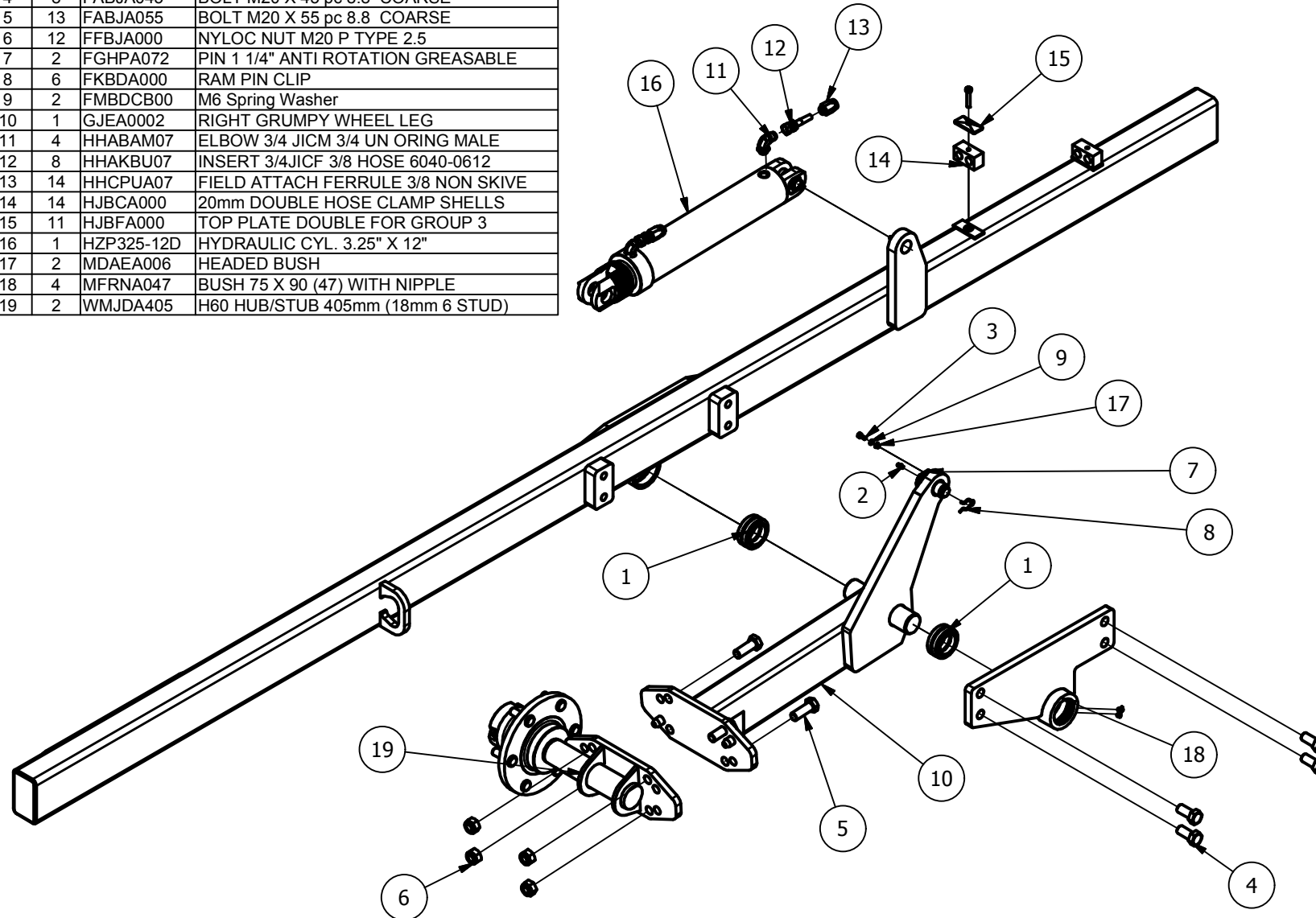
POS	QTY	PART NO	DESCRIPTION
1	4	BDGAA001	50 mm BALL BUSH
2	4	FABDA016	SET SCREW 6 X 15
3	4	FABGA025	BOLT M12 X 25
4	8	FABJA045	BOLT M20 X 45 pc 8.8 COARSE
5	4	FFBGA000	NYLOC NUT M12 P TYPE
6	8	FKBDA000	RAM PIN CLIP
7	4	FMBDCB00	M6 Spring Washer
8	1	GJEA0001	LEFT GRUMPY WHEEL LEG
9	1	GJEB00R	RIGHT GRUMPY INSIDE WHEEL LEG SIDE PLATE
10	1	GNBEG001	DEPTH GAUGE
11	1	HMDEA004	DEPTH STOP - CAPTIVE PAIR
12	1	HZP35012D	HYDRAULIC CYL. 3.50" X 12"
13	4	MDAEA006	HEADED BUSH
14	1	MDBZA025	1 1/4" RAM PIN BUSH
15	2	WMJDA405	H60 HUB/STUB 405mm (18mm 6 STUD)



L:\Inventor\Grumpy\32 PLATE assy parts book layouts 3.idw

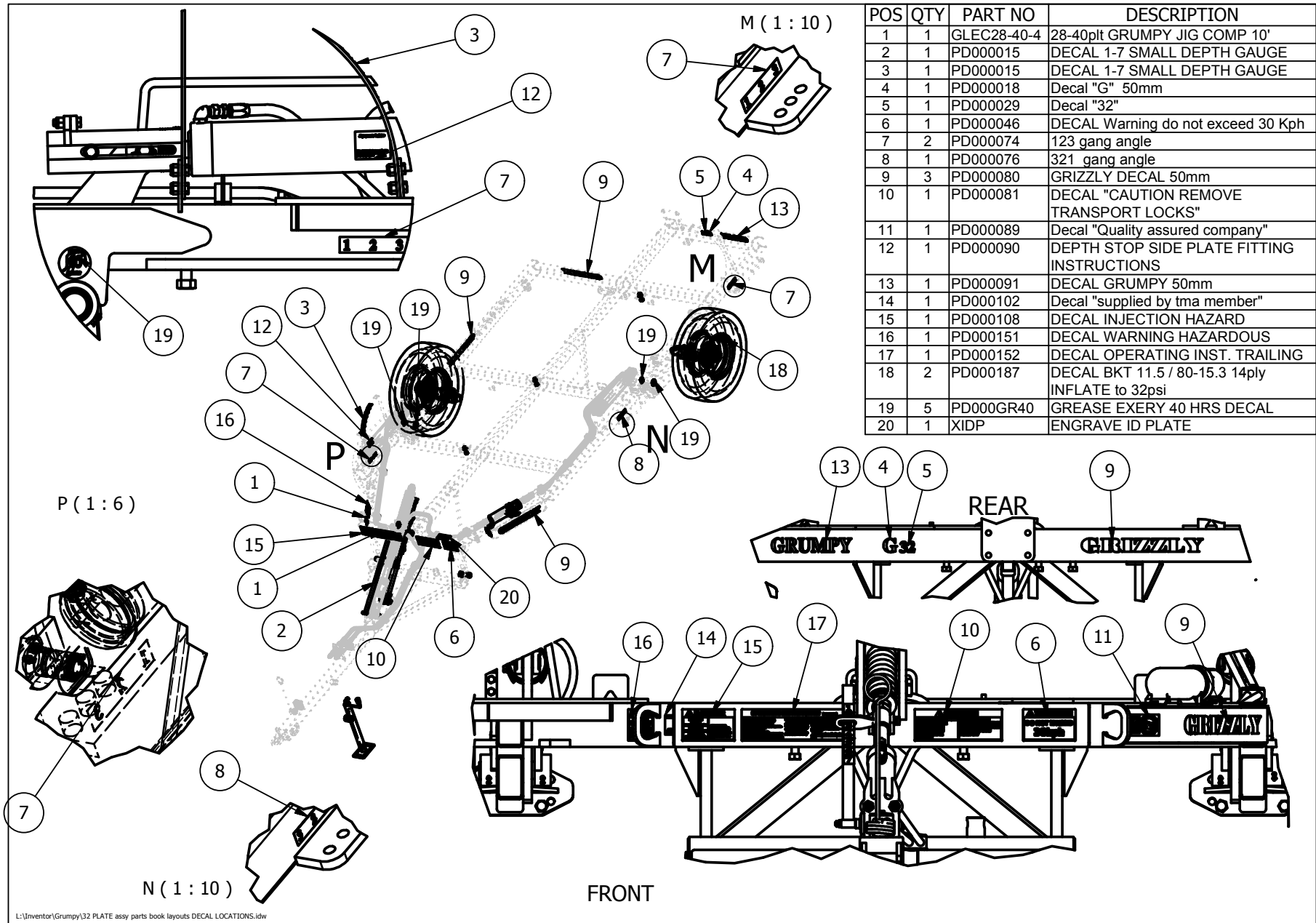
GRUMPY 32 PLATE LEFT HAND WHEEL LEG ASSEMBLY

POS	QTY	PART NO	DESCRIPTION
1	4	BDGAA001	50 mm BALL BUSH
2	2	BMAAA000	GREASE NIPPLE 1/4" UNF
3	2	FABDA016	SET SCREW 6 X 15
4	8	FABJA045	BOLT M20 X 45 pc 8.8 COARSE
5	13	FABJA055	BOLT M20 X 55 pc 8.8 COARSE
6	12	FFBJA000	NYLOC NUT M20 P TYPE 2.5
7	2	FGHPA072	PIN 1 1/4" ANTI ROTATION GREASABLE
8	6	FKBDA000	RAM PIN CLIP
9	2	FMBDCB00	M6 Spring Washer
10	1	GJEA0002	RIGHT GRUMPY WHEEL LEG
11	4	HHABAM07	ELBOW 3/4 JICM 3/4 UN ORING MALE
12	8	HHAKBU07	INSERT 3/4JICF 3/8 HOSE 6040-0612
13	14	HHCPUA07	FIELD ATTACH FERRULE 3/8 NON SKIVE
14	14	HJBCA000	20mm DOUBLE HOSE CLAMP SHELLS
15	11	HJBFA000	TOP PLATE DOUBLE FOR GROUP 3
16	1	HZP325-12D	HYDRAULIC CYL. 3.25" X 12"
17	2	MDAEA006	HEADED BUSH
18	4	MFRNA047	BUSH 75 X 90 (47) WITH NIPPLE
19	2	WMJDA405	H60 HUB/STUB 405mm (18mm 6 STUD)



L:\Inventor\Grumpy\32 PLATE assy parts book layouts 4.idw

GRUMPY 32 PLATE DECAL LOCATIONS



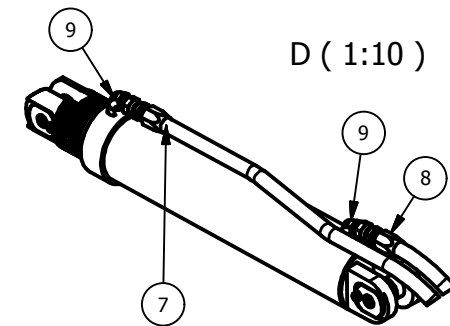
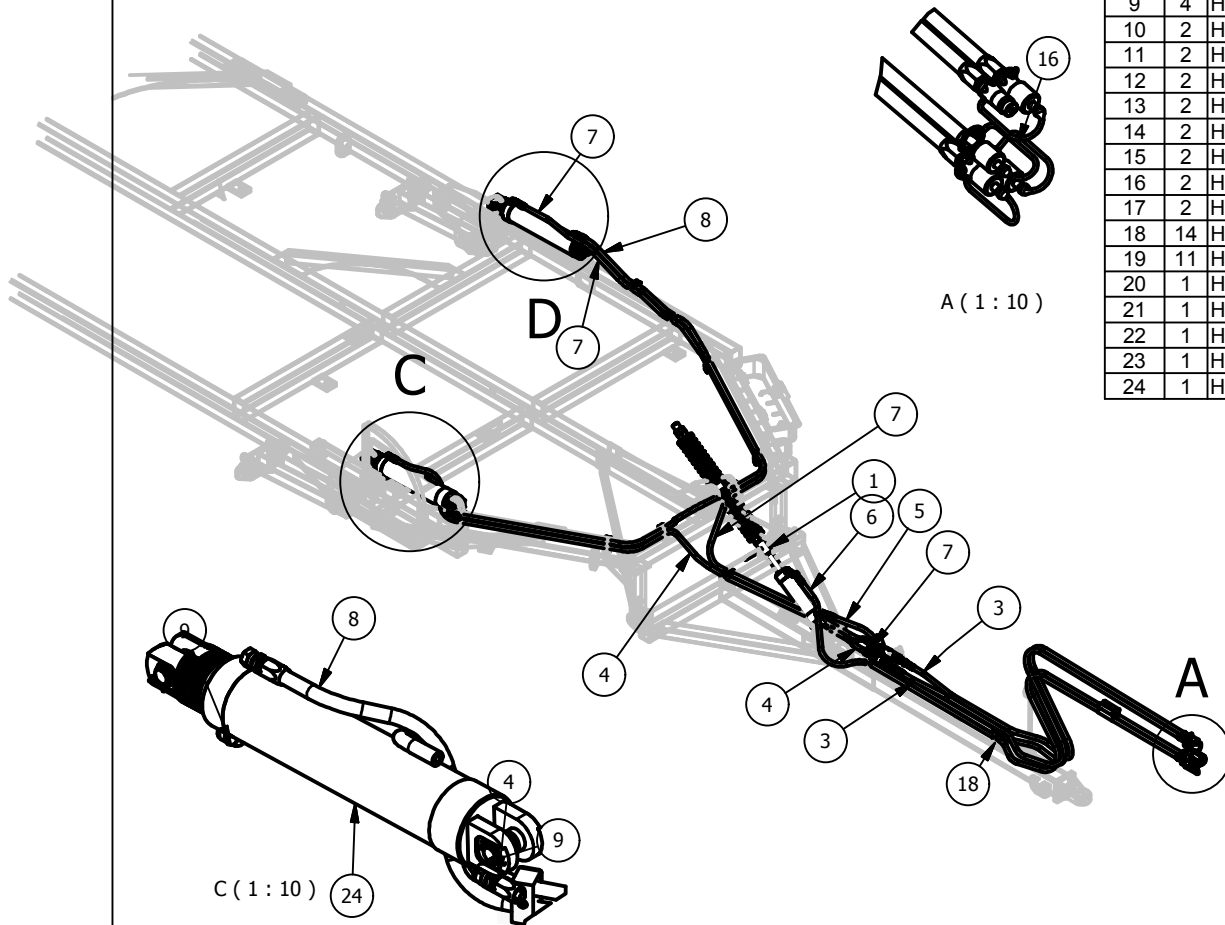
POS	QTY	PART NO	DESCRIPTION
1	1	GLEC28-40-4	28-40plt GRUMPY JIG COMP 10'
2	1	PD000015	DECAL 1-7 SMALL DEPTH GAUGE
3	1	PD000015	DECAL 1-7 SMALL DEPTH GAUGE
4	1	PD000018	Decal "G" 50mm
5	1	PD000029	Decal "32"
6	1	PD000046	DECAL Warning do not exceed 30 Kph
7	2	PD000074	123 gang angle
8	1	PD000076	321 gang angle
9	3	PD000080	GRIZZLY DECAL 50mm
10	1	PD000081	DECAL "CAUTION REMOVE TRANSPORT LOCKS"
11	1	PD000089	Decal "Quality assured company"
12	1	PD000090	DEPTH STOP SIDE PLATE FITTING INSTRUCTIONS
13	1	PD000091	DECAL GRUMPY 50mm
14	1	PD000102	Decal "supplied by tma member"
15	1	PD000108	DECAL INJECTION HAZARD
16	1	PD000151	DECAL WARNING HAZARDOUS
17	1	PD000152	DECAL OPERATING INST. TRAILING
18	2	PD000187	DECAL BKT 11.5 / 80-15.3 14ply INFLATE to 32psi
19	5	PD000GR40	GREASE EXERY 40 HRS DECAL
20	1	XIDP	ENGRAVE ID PLATE

L:\Inventor\Grumpy\32 PLATE assy parts book layouts DECAL LOCATIONS.idw

PTE 28-40 GRUMPY RAM KIT

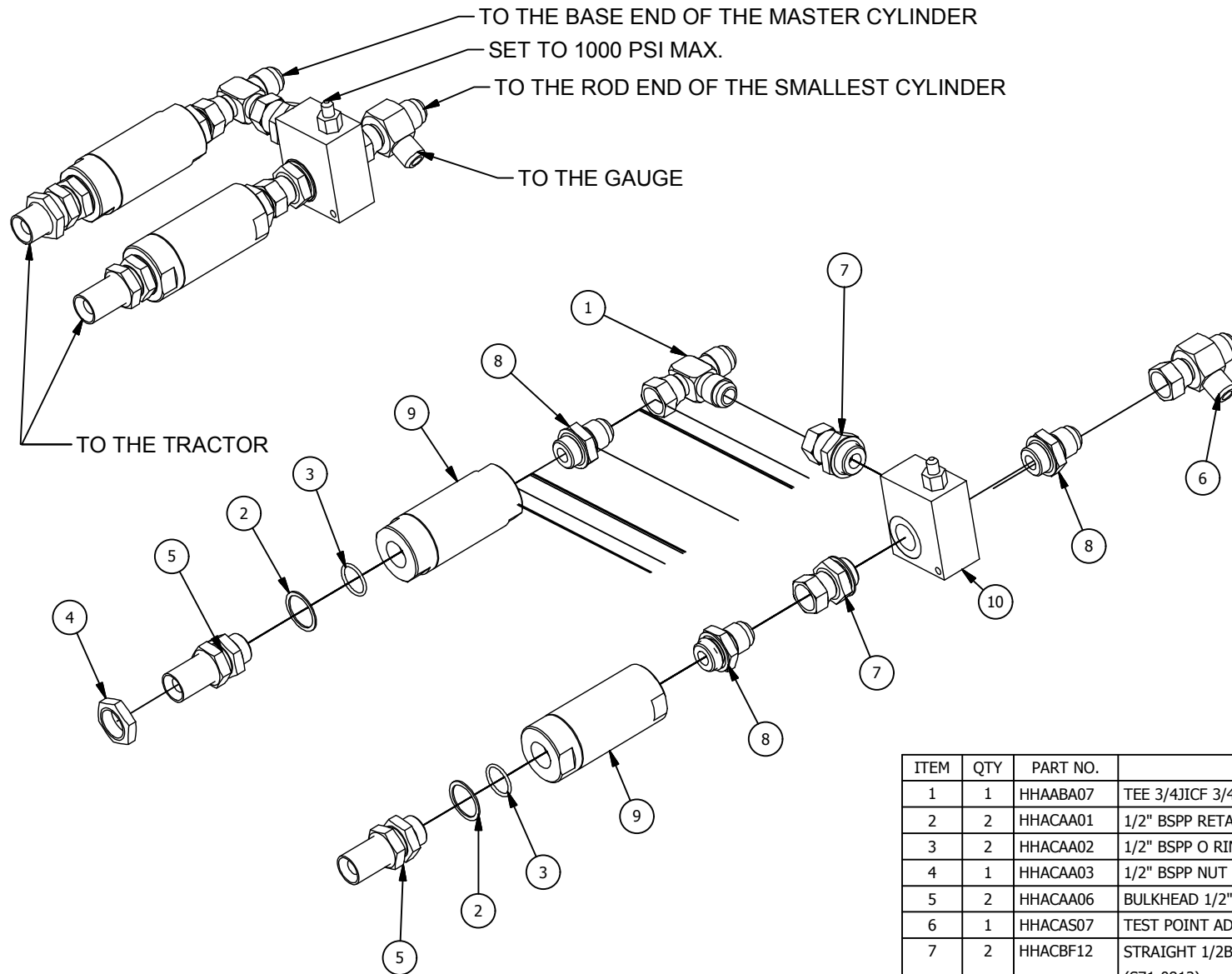
GHPB0000

POS	QTY	PART NO	DESCRIPTION
1	1	GDFGP000	HYDRAULIC PITCH CONTROL
2	1	HFALL50-B	RETRACT LINE RELIEF VALVE KIT
3	2	HGCZC800B	HYD HOSE 3/8" E26 (2800) QR 1/2"BSP FEMALE 3/4UNO MALE
4	1	HGCZD300A	HYD HOSE 3/8" E26 (3300) 3/4JIC FEMALE 3/4JIC FEMALE
5	1	HGCZD500Q	HYD HOSE 3/8" E26 (3500) QR 3/4" JIC FEMALE 3/4UNO MALE
6	1	HGCZD700Q	HYD HOSE 3/8" E26 (3700) QR 3/4" JIC FEMALE 3/4UNO MALE
7	1	HGCZE400A	HYD HOSE 3/8" E26 (4400) 3/4JIC FEMALE 3/4JIC FEMALE
8	1	HGCZE500A	HYD HOSE 3/8" E26 (4500) 3/4JIC FEMALE 3/4JIC FEMALE
9	4	HHABAM07	ELBOW 3/4 JICM 3/4 UN O MALE
10	2	HHABAM07A	ELBOW RESTRICTOR 3/4 JICM 3/4 UN ORING
11	2	HHACAA01	1/2" BSPP RETAINING RING 36B-08
12	2	HHACAA02	1/2" BSPP O RING ROD-BP08
13	2	HHACAA06	BULKHEAD 1/2" BSP
14	2	HHBEM000	STRAIGHT 3/4 JIC M 1/2 BSPP ORING M
15	2	HHKY0000	IN LINE HYDRAULIC FILTER
16	2	HHZWUA07B	HYD Coupling COVER BLUE
17	2	HHZWUA07R	HYD Coupling COVER RED
18	14	HJBCA000	20mm DOUBLE HOSE CLAMP SHELL
19	11	HJBFA000	TOP PLATE DOUBLE FOR GROUP 3
20	1	HMDEA004	DEPTH STOP - CAPTIVE PAIR
21	1	HXEAF000	HEAT SHRINK RED - WHEEL LIFT
22	1	HXECF000	HEAT SHRINK BLUE- PITCH CONTROL
23	1	HZP325/12D	HYD. CYL. 3.25 X 12 DS
24	1	HZP350/12D	HYD. CYL. 3.5 X 12 DS



RETRACT LINE RELIEF VALVE KIT

HFALL50-B

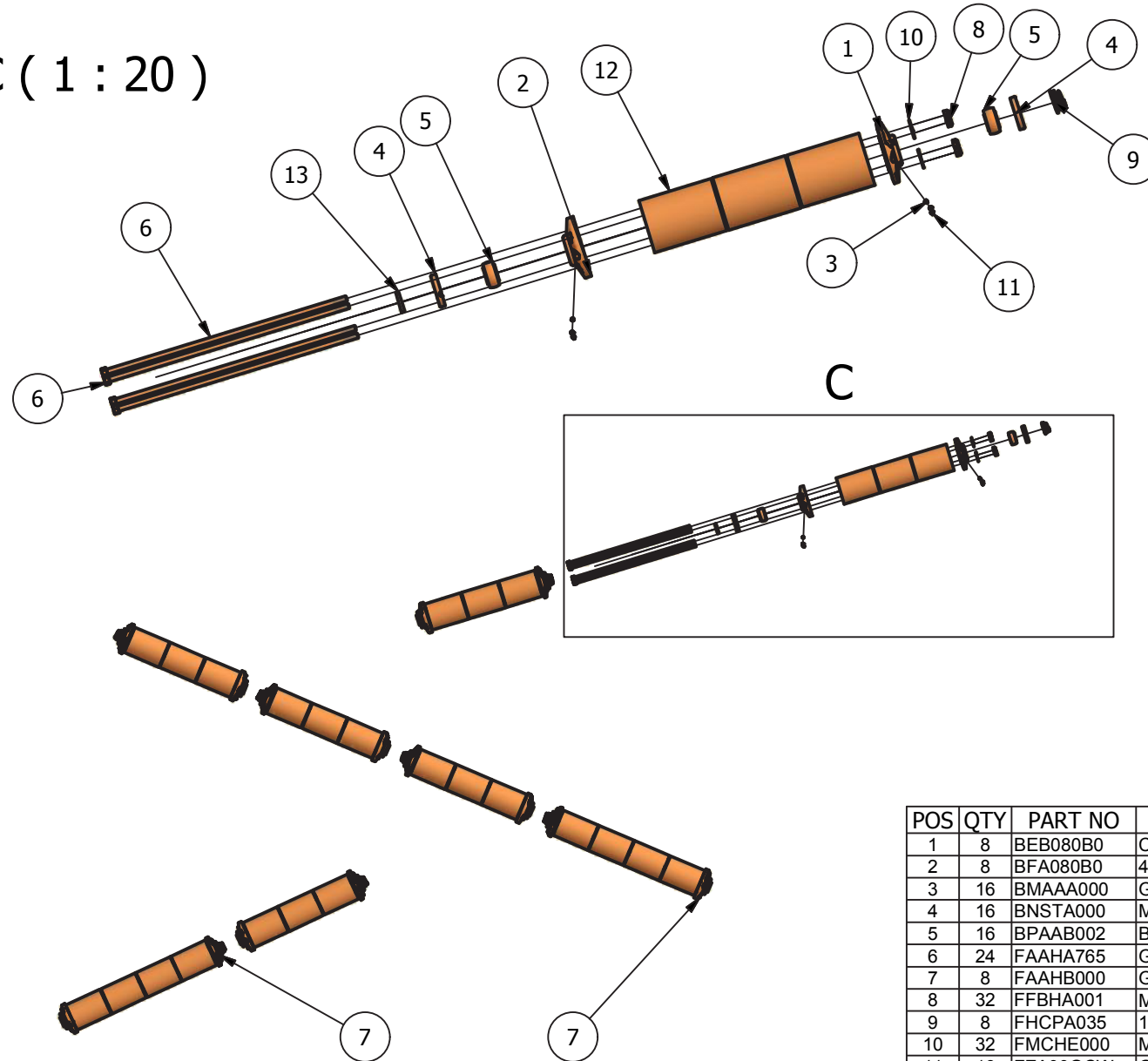


ITEM	QTY	PART NO.	DESCRIPTION
1	1	HHAABA07	TEE 3/4JICF 3/4JICM 3/4JICM
2	2	HHACAA01	1/2" BSPP RETAINING RING 36B-08
3	2	HHACAA02	1/2" BSPP O RING ROD-BP08
4	1	HHACAA03	1/2" BSPP NUT
5	2	HHACAA06	BULKHEAD 1/2" BSP
6	1	HHACAS07	TEST POINT ADAPTOR 3/4 JIC - M16
7	2	HHACBF12	STRAIGHT 1/2BSPTM 3/4 JICF SWIVEL (S71-0812)
8	3	HHBEM000	STRAIGHT 3/4 JIC M 1/2 BSPP ORING M
9	2	HHKY0000	IN LINE HYDRAULIC FILTER
10	1	HHMWA008	INLINE RELIEF VALVE 1/2" BSP

L:\Inventor\TEMPLATES\parts book.idw

32 Grumpy D/Assy Castings and Bolts

C (1 : 20)

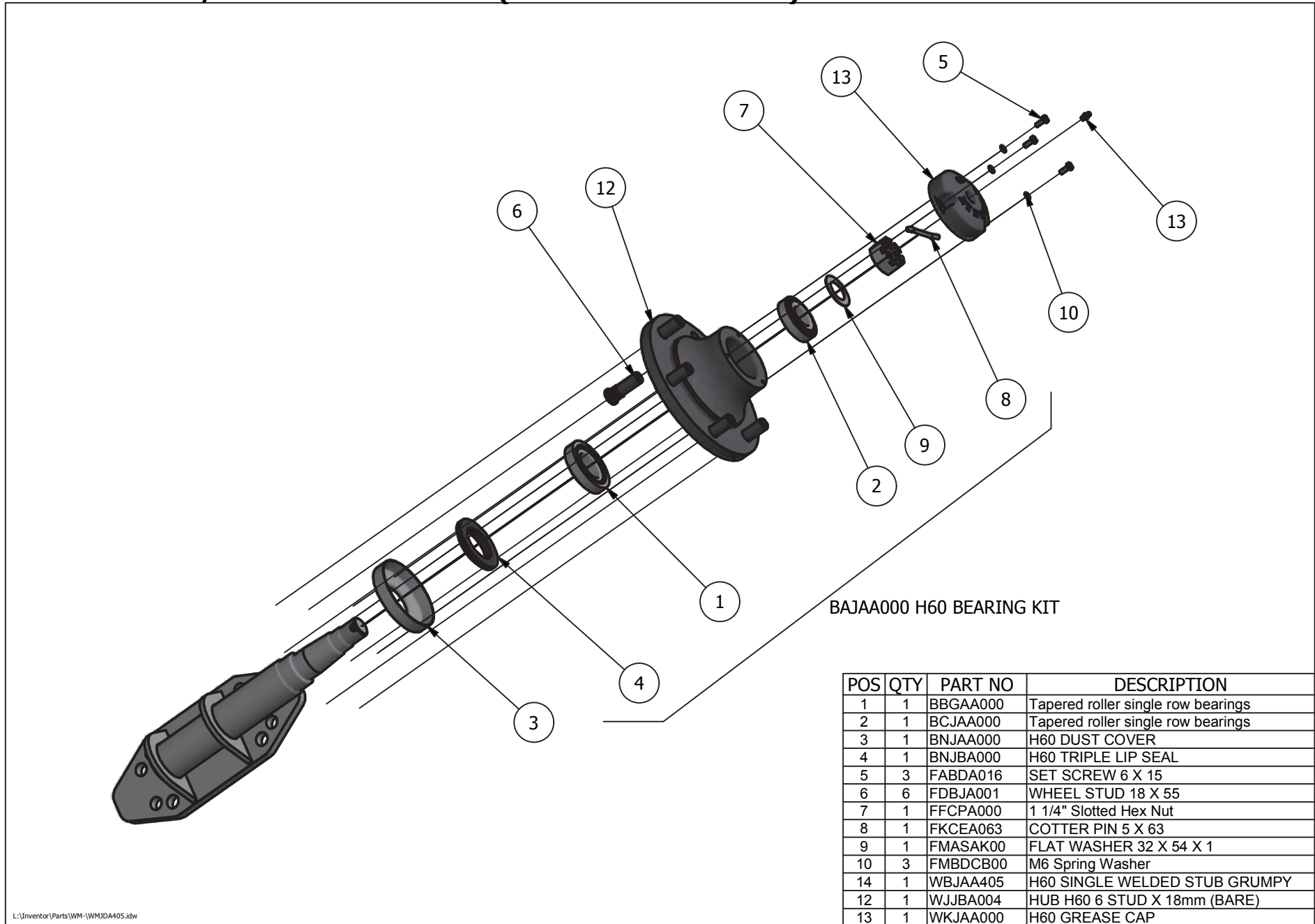


POS	QTY	PART NO	DESCRIPTION
1	8	BEB080B0	CASTING 4 BOLT LEAD BEARING HOUSING
2	8	BFA080B0	4 BOLT THRUST CASTING
3	16	BMAAA000	GREASE NIPPLE 1/4" UNF
4	16	BNSTA000	METAL DUST COVER FOR 28MM BRG
5	16	BPAAB002	BEARING 80 SPHERICAL X 28.57 SQUARE
6	24	FAAHA765	GANG BOLT M16 - 4 DISC (765mm)
7	8	FAAHB000	GANG BOLT M16 - 5 DISC (1000mm)
8	32	FFBHA001	M16 CONE LOCK NUT
9	8	FHCPA035	1 1/8" CONICAL SPRING
10	32	FMCHE000	M16 STRUCTURAL WASHER
11	16	FZA00GCV	GCWHITE CAP (GREASE NIPPLE)
12	26	MECPA230	150 SPOOL (230)
13	8	MFHGA010	10mm SPACER 31 SQUARE

L:\Inventor\Parts\GG-\GGE032XXXXX.idw

H60 HUB/STUB 405mm (18mm 6 STUD)

WMJDA405



L:\Inventor\Parts\WM-WMJDA405.idw