

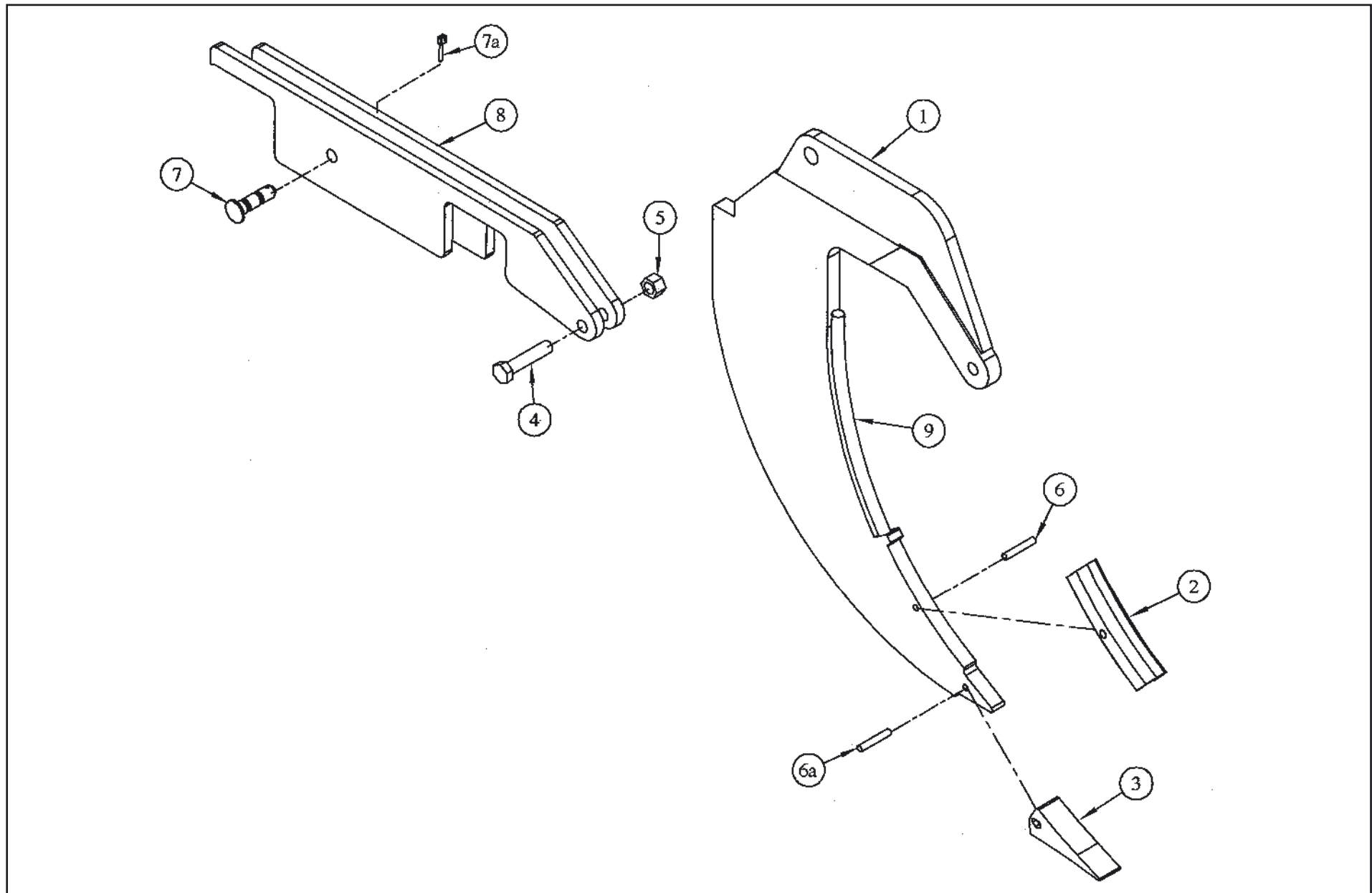
**Parts  
Assembly Drawings  
&  
Parts Lists**

# Grizzly Deep Digger Series



**Deep  
Digger  
Series**

# Tyne Assembly - 3 to 9 Tyne Models

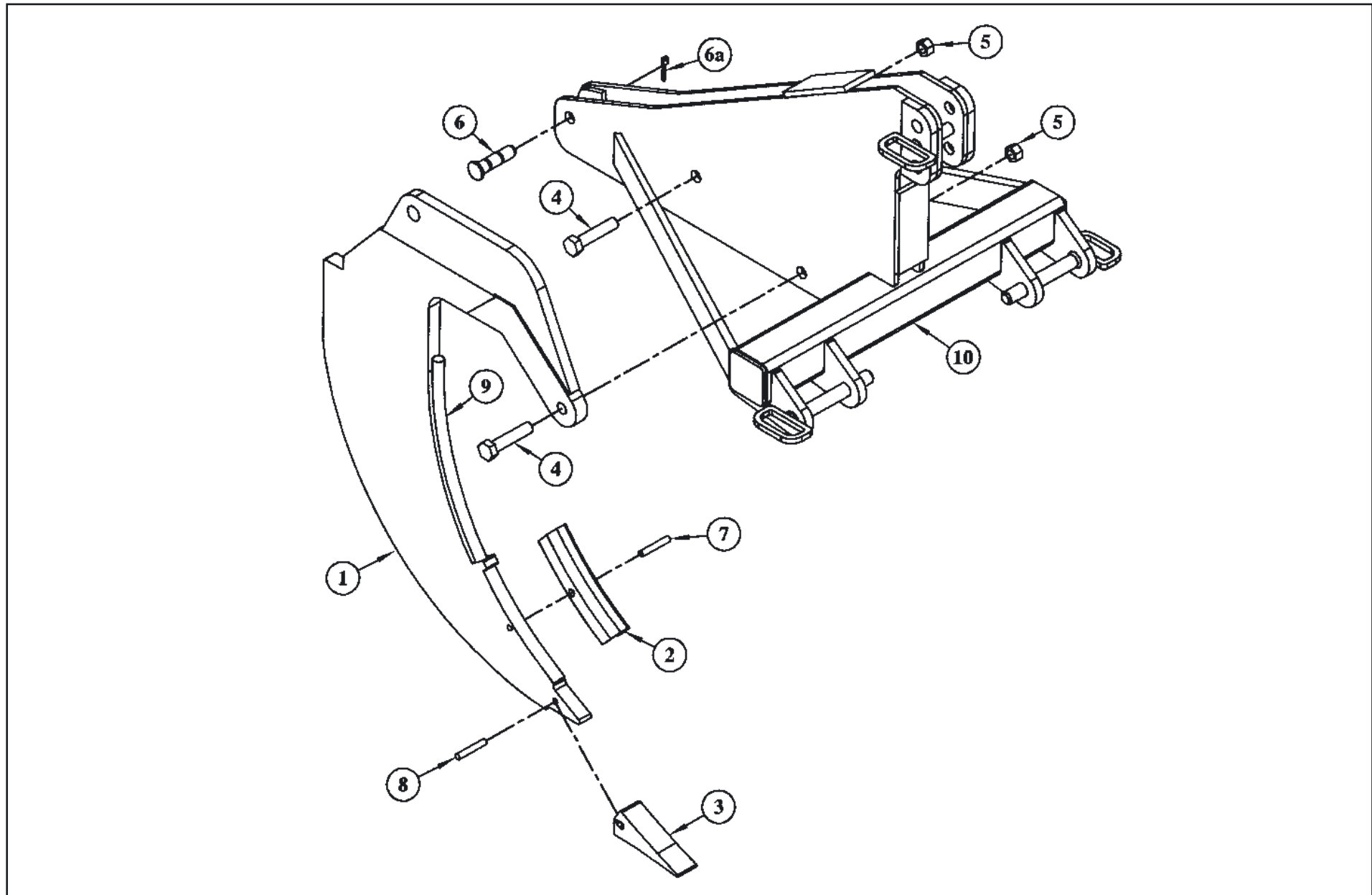


# Tyne Assembly - 3 to 9 Tyne Models

Pos	Part No	Description	Qty
1	GNAFM007	28" Ripper Tyne Assembly	1
2	DWAA0000	Ripper Tyne Shin Guard	1
3	DYSP0000	Ripper Point	1
4	FABKA110	Bolt M24 x 110 GD 8.8	1
5	FFBKA000	Nut Nyloc M24 P Type	2
6	FGCDA075	Roll Pin 3" x 1/2"	1
6a	FGCAA060	Roll Pin 1/4" x 60mm	1
7	FGBKA095	Ripper Shear Pin	1
7a	FKAEA000	Lynch Pin 6mm~	1
8`	GNBFN001	Tyne Side Plate Assembly - Side	
9	MDEMA400	Ripper Tyne Wear Bar	1

Pos	Part No	Description	Qty

# Tyne Assembly - Single Tyne Models



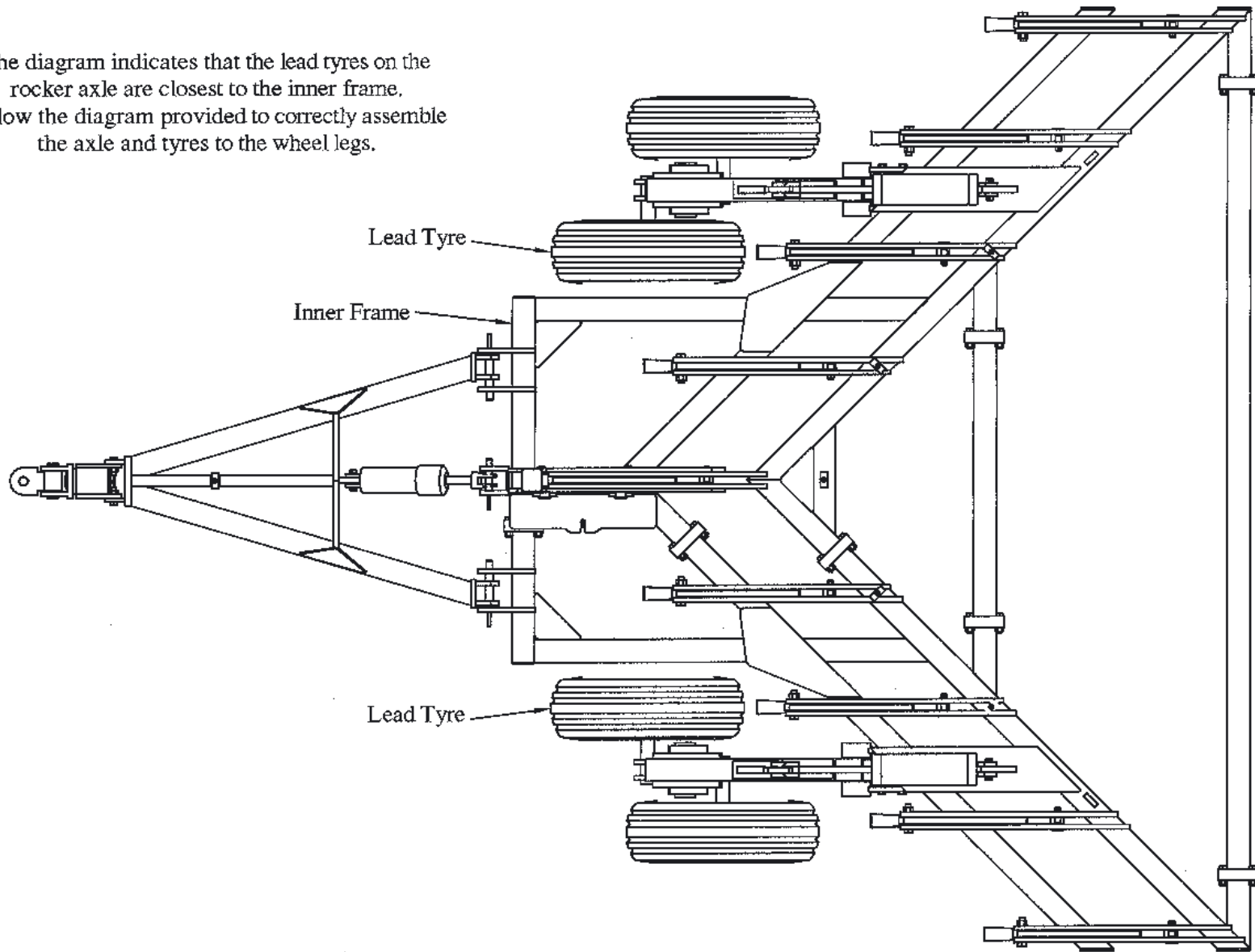
# Tyne Assembly - Single Tyne Models

Pos	Part No	Description	Qty
1	GNAFM007	28" Ripper Tyne Assembly	1
2	DWAA0000	Ripper Tyne Shin Guard	1
3	DYSP0000	Ripper Point	1
4	FABKA120	Bolt M24 x 120 GD 8.8	1
5	FFBKA000	Nut Nyloc M24 P Type	1
6	FGBKA103	Shear Pin (Single Tyne Only)	1
6a	FKAEA000	Lynch Pin 6mm~	1
7	FGCDA075	Roll Pin 3" x 1/2"	1
8	FGCAA060	Roll Pin	1
9	MDEMA400	Ripper Tyne Wear Bar	1
10	GCM001	Single Tyne Ripper Frame	1

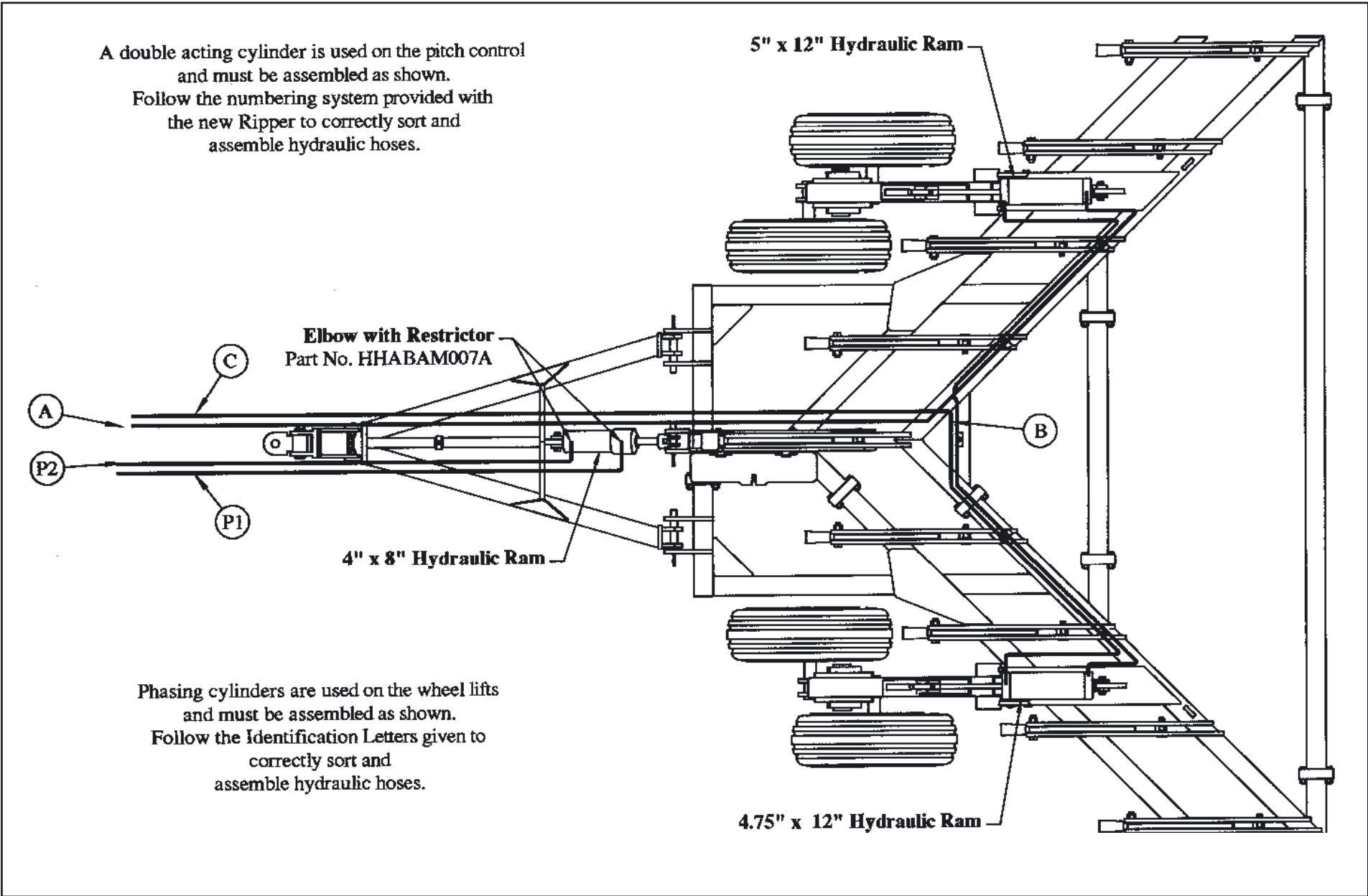
Pos	Part No	Description	Qty

# Wheel Position Diagram 7 - 9 Tyre Trailing

The diagram indicates that the lead tyres on the rocker axle are closest to the inner frame. Follow the diagram provided to correctly assemble the axle and tyres to the wheel legs.

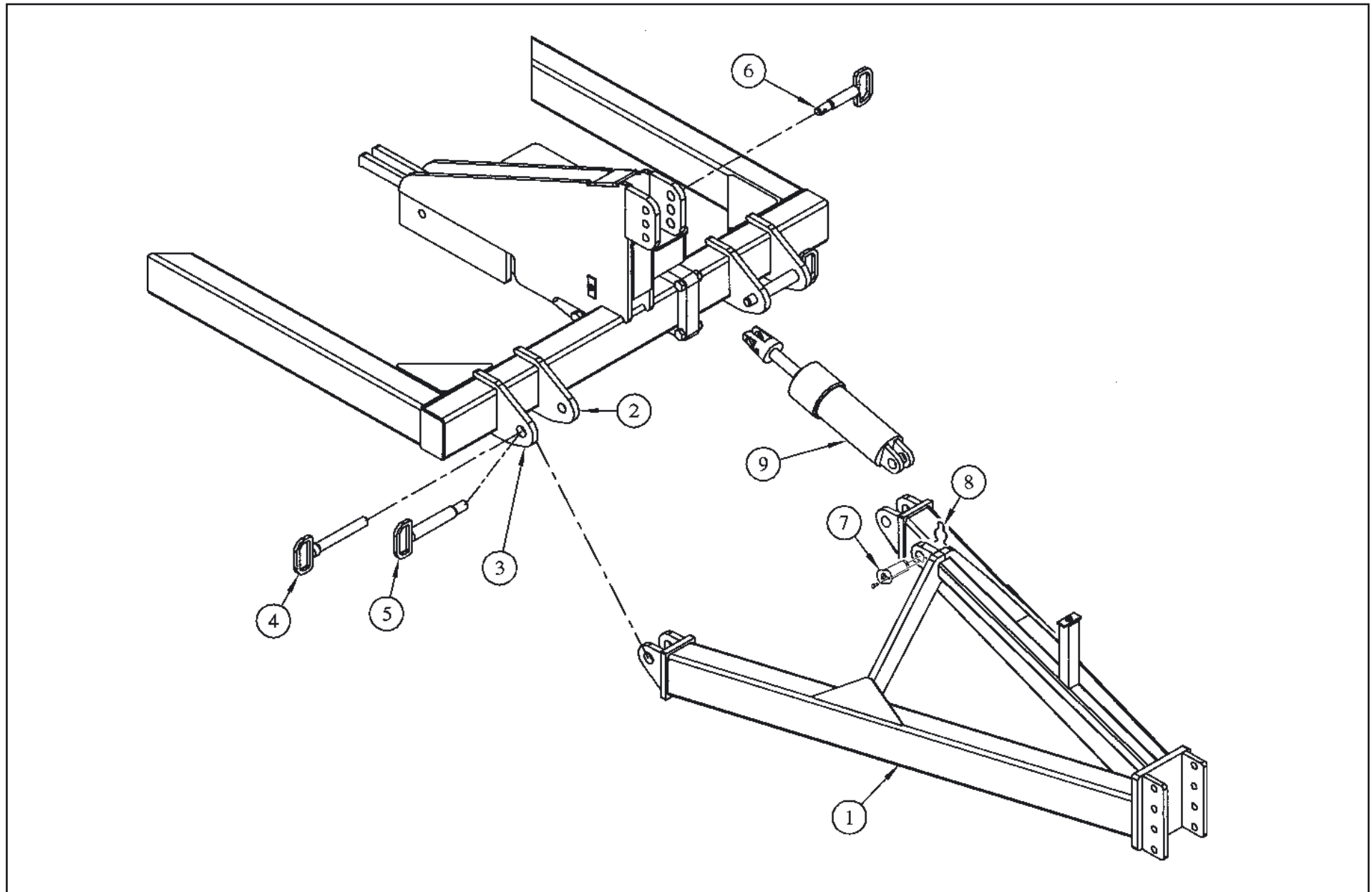


# Hydraulic Plumbing Diagram 7 - 9 Tyne Trailing





# Pull Assembly 7 - 9 Tyne Trailing

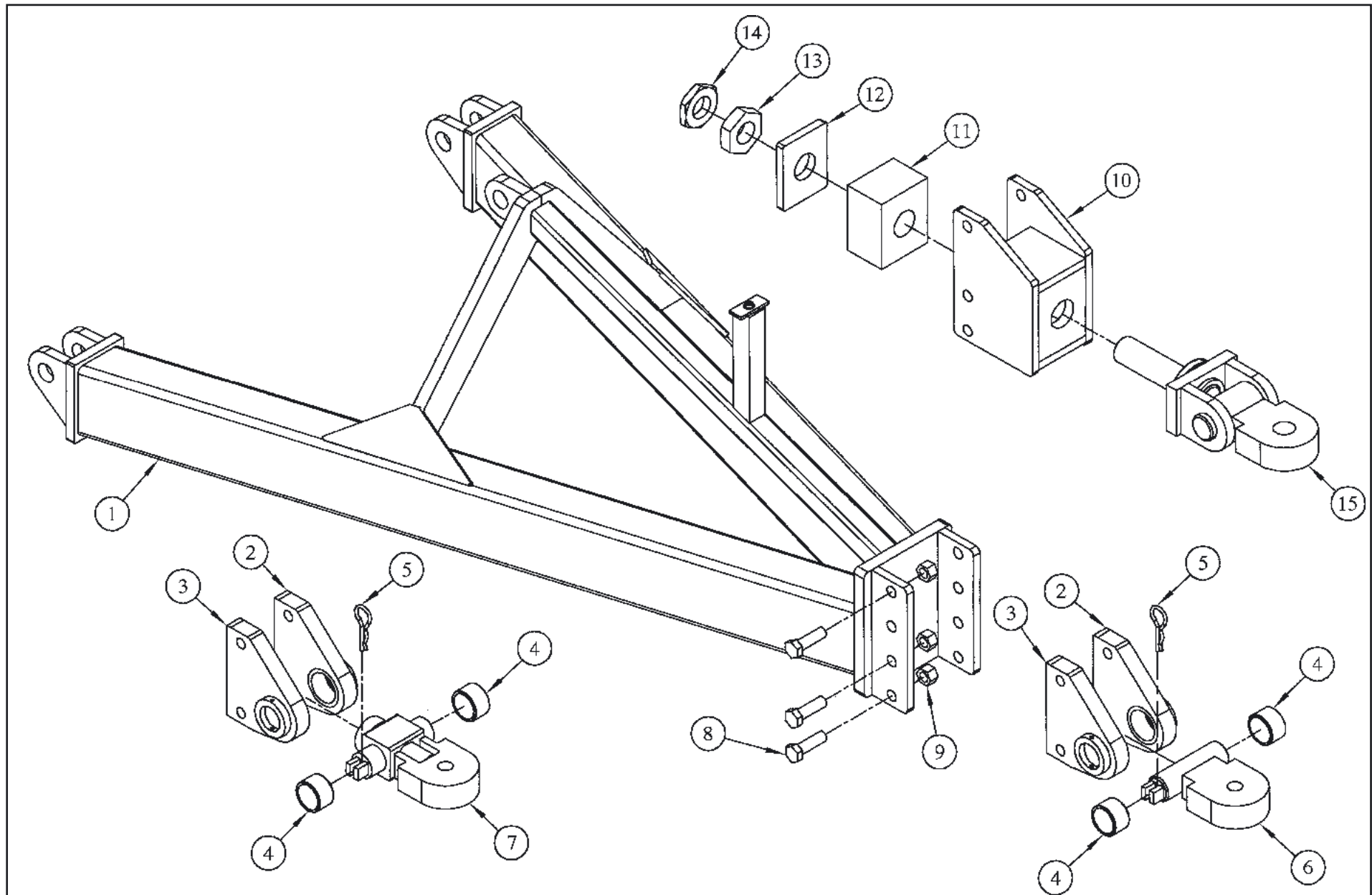


# Pull Assembly 7 - 9 Tyne Trailing

Pos	Part No	Description	Qty
1	GHNA0003	Ripper Pull Frame	1
2	CBBNM008	Plate 20mm Hitch Lug 30mm Hole Drilled	2
3	CBBNM009	Plate 20mm Hitch Lug 37mm Hole Drilled	2
4	FGFMA235	Pin 1-1/18" CAT 2 (235mm long)	2
5	FGFRA235	Pin 1-7/16" CAT 3 (235mm long)	2
6	FGFPA160	Pin (160mm) CAT 3 for Top	1
7	FGHPA072/_	1¼" Greasable & Lockable Ram Pin	1
8	FKBDA000	Hair Clip 1¼"	1
9	HY_400/08	Hydraulic Cylinder 4" x 8"	1

Pos	Part No	Description	Qty
<p><b>Note:</b>            An underscore _ in a part number shows the manufacturer of that component can vary.            Always supply the machine's Serial No for correct identification and supply of parts.</p>			

# Pull Tongue Assembly 7 - 9 Tyne Trailing

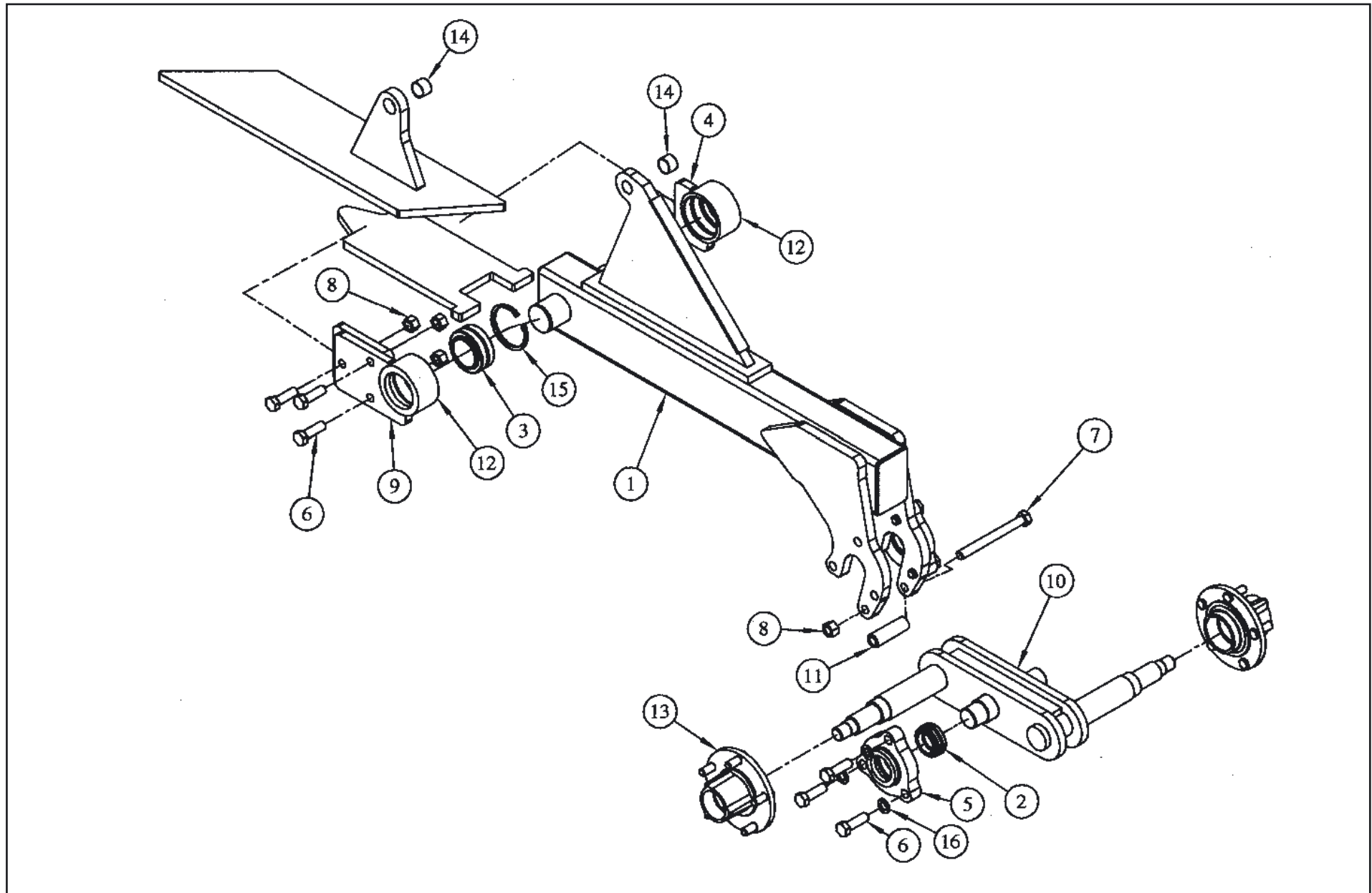


# Pull Tongue Assembly 7 - 9 Tyne Trailing

Pos	Part No	Description	Qty
1	GHNA0003	Ripper Pull Frame	1
2	GNDMF000	Pull Side Plate Assembly Left	1
3	GNDMF001	Pull Side Plate Assembly Right	1
4	BJEGA035	Vesconite Bush	2
5	FKBFA120	“R” Clip 6mm x 120mm	1
6	GPBAA000	Floppy Pull Tongue - 28mm Hole 50mm Thick	1
	GPDCA000	Floppy Pull Tongue - 50mm Hole 100mm Thick	
	GPEBA000	Floppy Pull Tongue- 40mm Hole 70mm Thick	
	GPFBA000	Floppy Pull Tongue - 40mm Hole 60mm Thick	
7	GPBAB000	Swivel Pull Tongue - 28mm Hole	1
	GPDCB000	Swivel Pull Tongue - 50mm Hole 100mm Thick	
	GPEBB000	Swivel Pull Tongue - 40mm Hole 70mm Thick	
8	FABJA080	Bolt M20 x 80 GD 8.8 Z/P H/T~	6
9	FFBJA000	Nut Nyloc M20 P Type~	6

Pos	Part No	Description	Qty
10	GNDMX000	Cushion Pull Box Assembly	1
11	BXSVA085	Poly 140 x 115 x 85mm Cushion Block	1
12	CGCFH001	Plate 16mm Cushion Block Plate	1
13	FFAUA000A	Plate 25mm NUT M50 x 3mm p	1
14	FFHVA001	Plate 16mm NUT M50 x 3mm p	1
15	GPEFC000	Cushion Pull Floppy Tongue 28mm Hole - 50mm Thick	1
	GPEFC001	Cushion Pull Floppy Tongue 40mm Hole - 60mm Thick	
	GPEFC002	Cushion Pull Floppy Tongue 40mm Hole - 70mm Thick	
	GPEFC003	Cushion Pull Floppy Tongue 50mm Hole - 100mm Thick	

# LH Wheel & Arm Assembly 7 - 9 Tyne Trailing

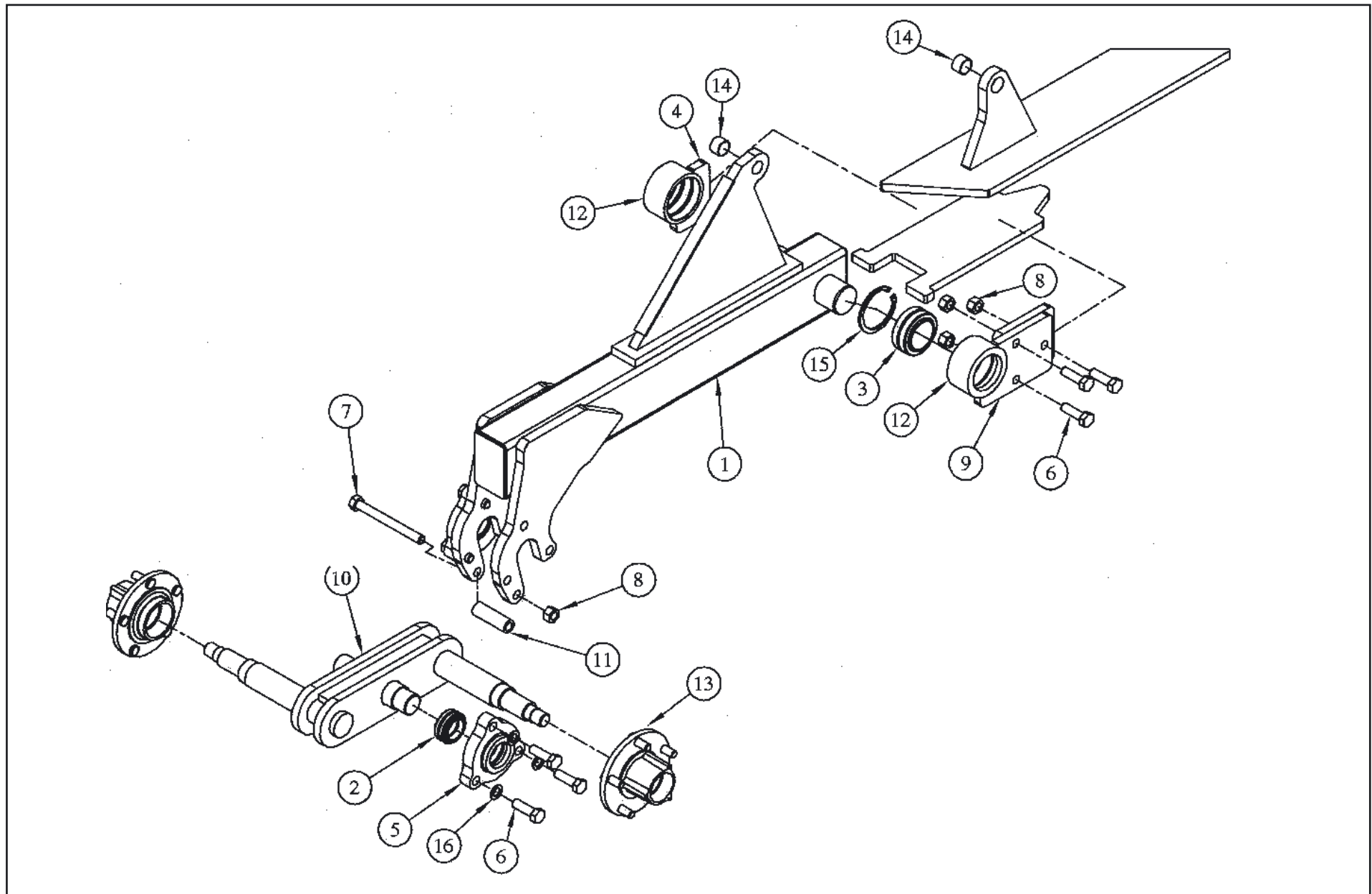


# LH Wheel & Arm Assembly 7 - 9 Tyne Trailing

Pos	Part No	Description	Qty
1	GJNC0002	Wheel Leg Frame	1
2	BDGAA001	Ball Bushing 50id x 75od Sealed	2
3	BDMZA000	Ball Bushing 75id x 105od	2
4	CBENJ003	Plate 20mm Wheel Assembly Inside lug	1
5	CDEUU000	Plate 50mm Bearing Housing	2
6	FABJA065	Bolt M20 x 65 GD 8.8 Z/P H/T~	9
7	FABJA200	Bolt M20 x 200 GD 8.8 Z/P H/T~	1
8	FFBJA000	Nut Nyloc M20 P Type~	4
9	GNANJ001	Wheel Assembly Lug / Plate Assembly	1
10	GNBXN000	Wheel Assembly Pivot Ripper (Rocker Axle)	1
11	MFAAA100	Hollow Bar 20.5id x 32od (100mm) Spacer	1
12	MFWYA065A	Hollow Bar 90id x 125od (65mm) Bearing Housing	2
13	WJJBA001	H60 Bare Hub with Studs fitted (Rocker Axle)	2
14	MDBZA025	Hardened Bush	2
15	FKDXA004	Internal Circlip	2
16	FMFJBF00	Lock Washer	6

Pos	Part No	Description	Qty
	<b>BAJAA000</b>	<b>H60 Bearing Kit</b> (Kit includes one of each item 2-5) One kit required per wheel assembly.	

# RH Wheel & Arm Assembly 7 - 9 Tyne Trailing



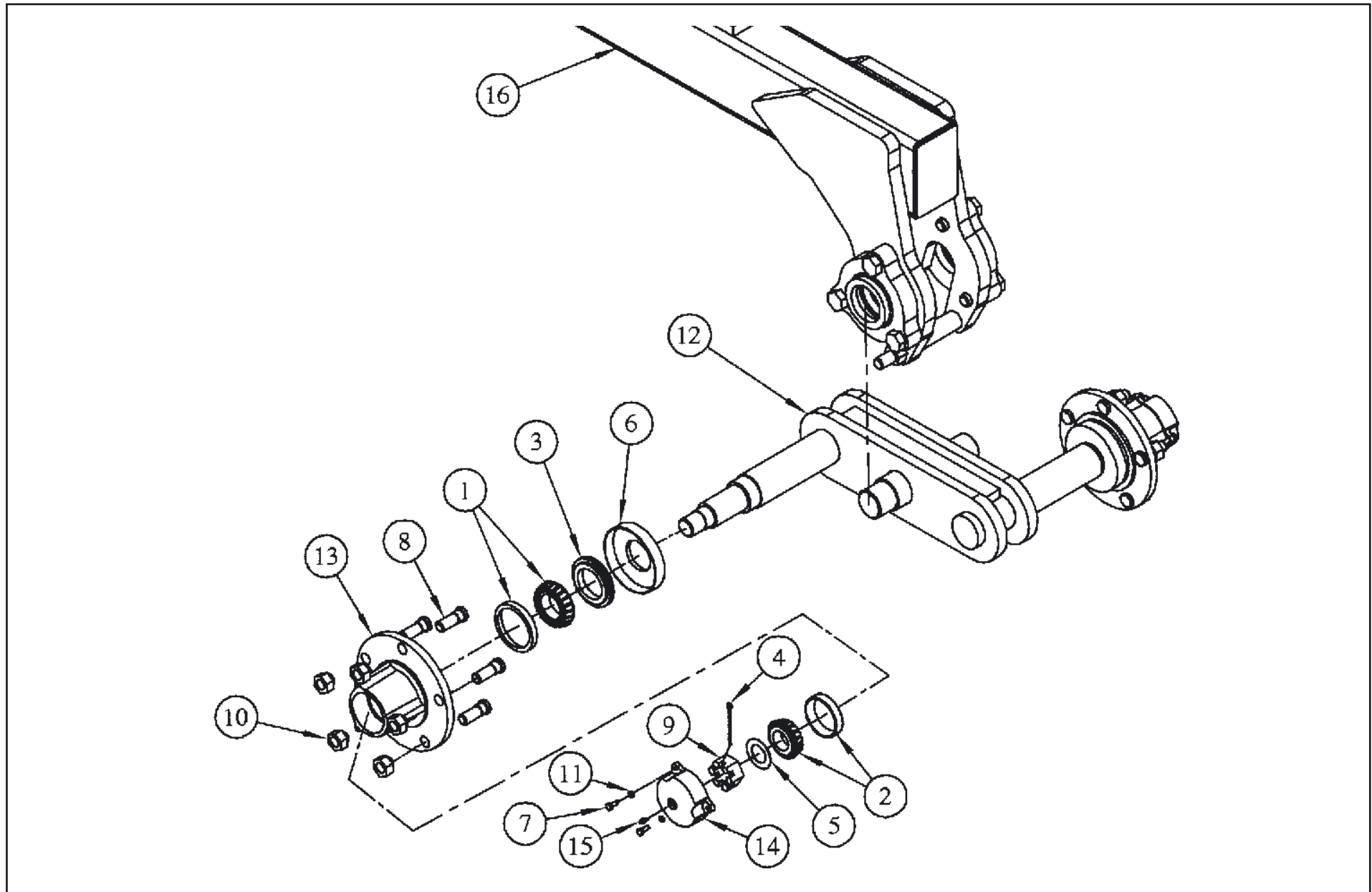
# RH Wheel & Arm Assembly 7 - 9 Tyne Trailing

Pos	Part No	Description	Qty
1	GJNC0002	Wheel Leg Frame	1
2	BDGAA001	Ball Bushing 50id x 75od Sealed	2
3	BDMZA000	Ball Bushing 75id x 105od	2
4	CBENJ003	Plate 20mm Wheel Assembly Inside lug	1
5	CDEUU000	Plate 50mm Bearing Housing	2
6	FABJA065	Bolt M20 x 65 GD 8.8 Z/P H/T~	9
7	FABJA200	Bolt M20 x 200 GD 8.8 Z/P H/T~	1
8	FFBJA000	Nut Nyloc M20 P Type~	4
9	GNANJ001	Wheel Assembly Lug / Plate Assembly	1
10	GNBXN000	Wheel Assembly Pivot Ripper	1
		Rocker Axle	
11	MFAAA100	Hollow Bar 20.5id x 32od (100mm) Spacer	1
12	MFWYA065A	Hollow Bar 90id x 125od (65mm) Bearing Housing	2
13	WJJBAA001	H60 Bare Hub with Studs fitted (Rocker Axle)	2
14	MDBZA025	Hardened Bush	2
15	FKDXA004	Internal Circlip	2
16	FMFJBF00	Lock Washer	6

Pos	Part No	Description	Qty
	<b>BAJAA000</b>	<b>H60 Bearing Kit</b> (Kit includes one of each item 2-5) One kit required per wheel assembly.	

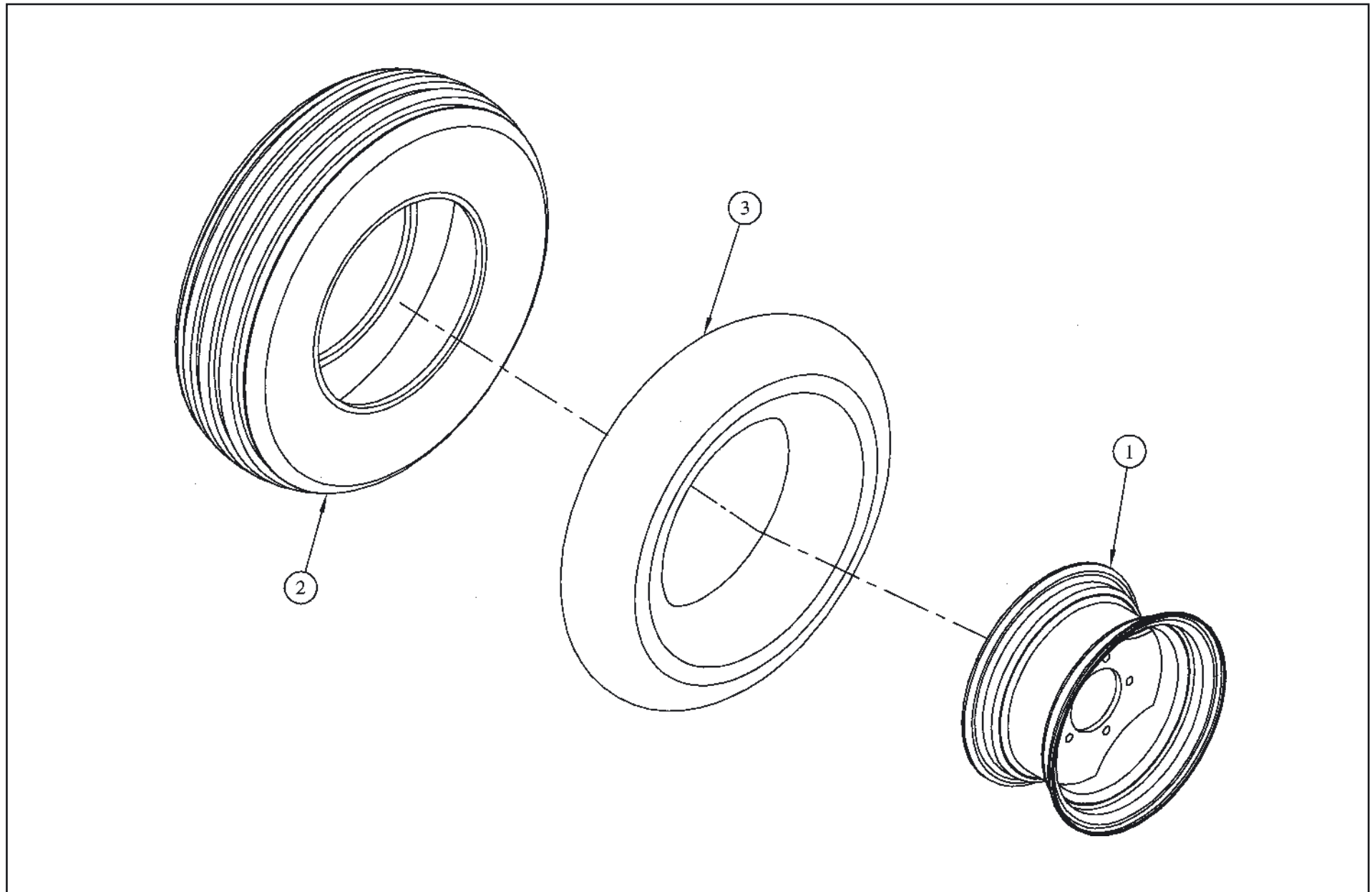


# Wheel Hub & Stub Assemblies 7 - 9 Tyne Trailing



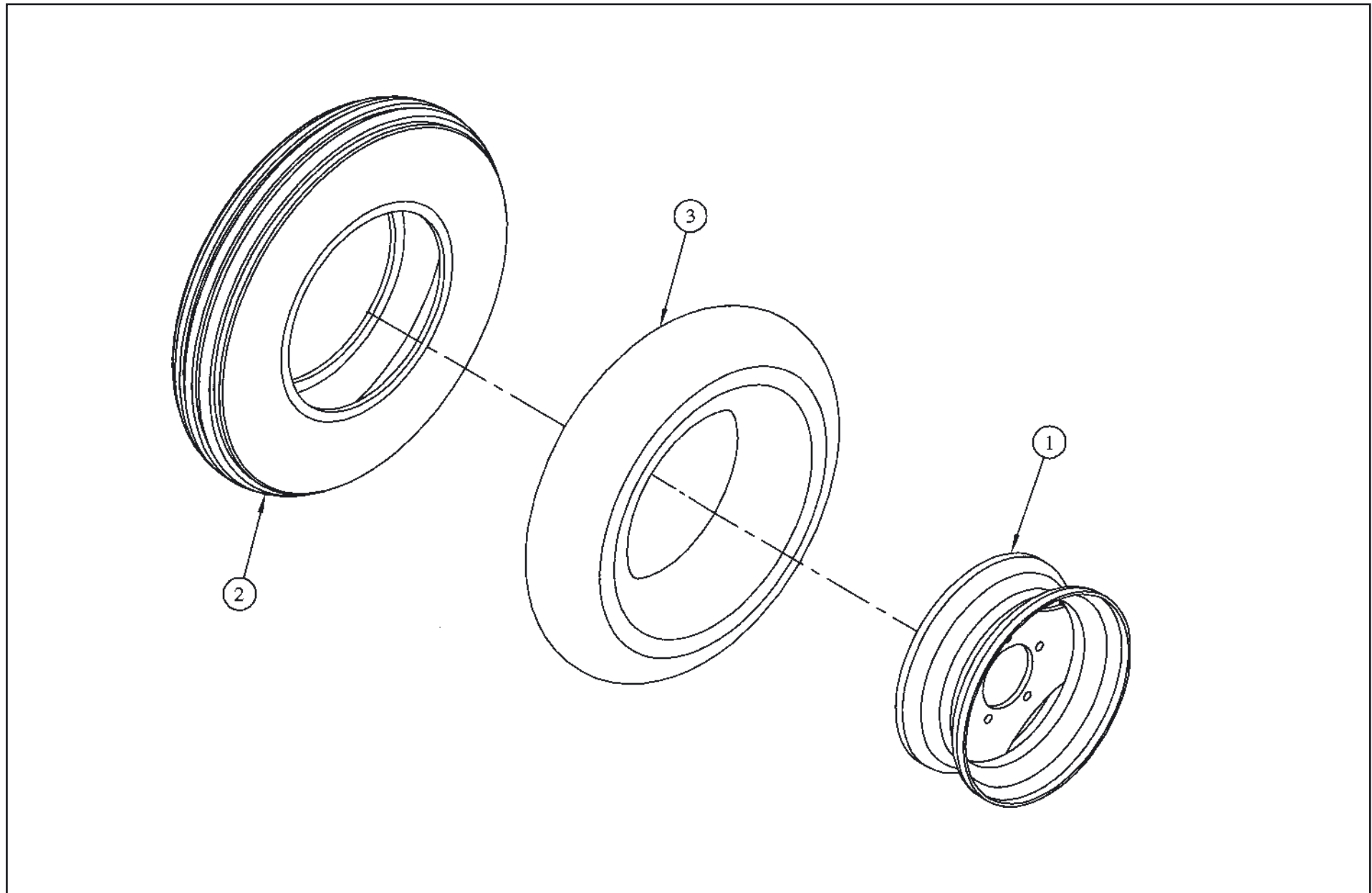


# Rim & Tyre Assembly 7 - 9 Tyne Trailing





# Rim & Tyre Assembly 5 - 7 Tyne Linkage

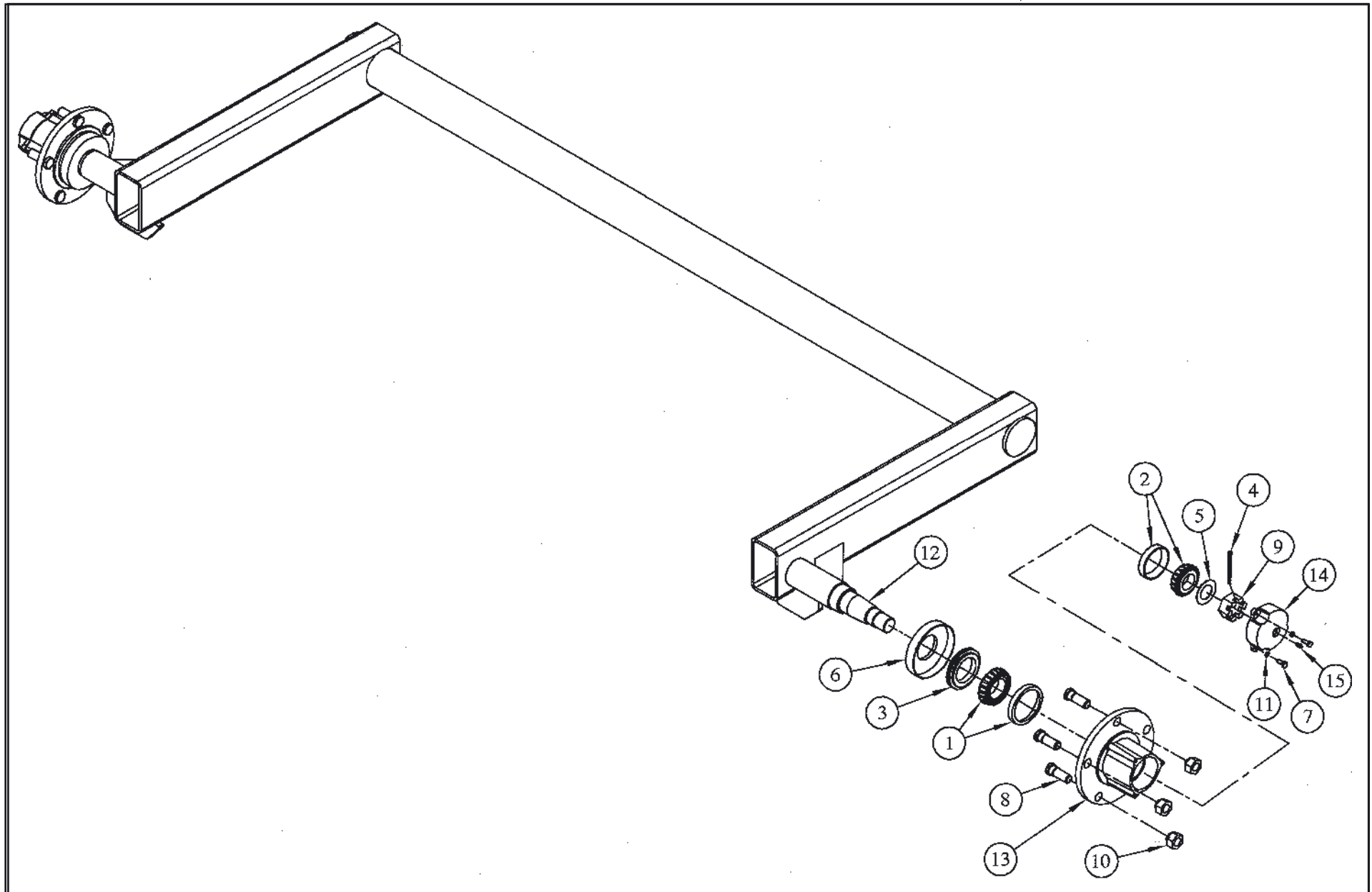


# Rim & Tyre Assembly 5 - 7 Tyne Linkage

Pos	Part No	Description	Qty
	WSJACB00	Rim/Tyre Assembly 5.50 x 16 H60	2
1	WEJJK000	Rim Assembly 5.50 x 16 H60	2
2	WFCJR000	Tyre 750 x 16 Multi Rib 8 PLY	2
3	WZZJR000	Tube 7.50 x 16	2

Pos	Part No	Description	Qty
-----	---------	-------------	-----

# Wheel Hub & Stub Assemblies 5 - 7 Tyne Linkage



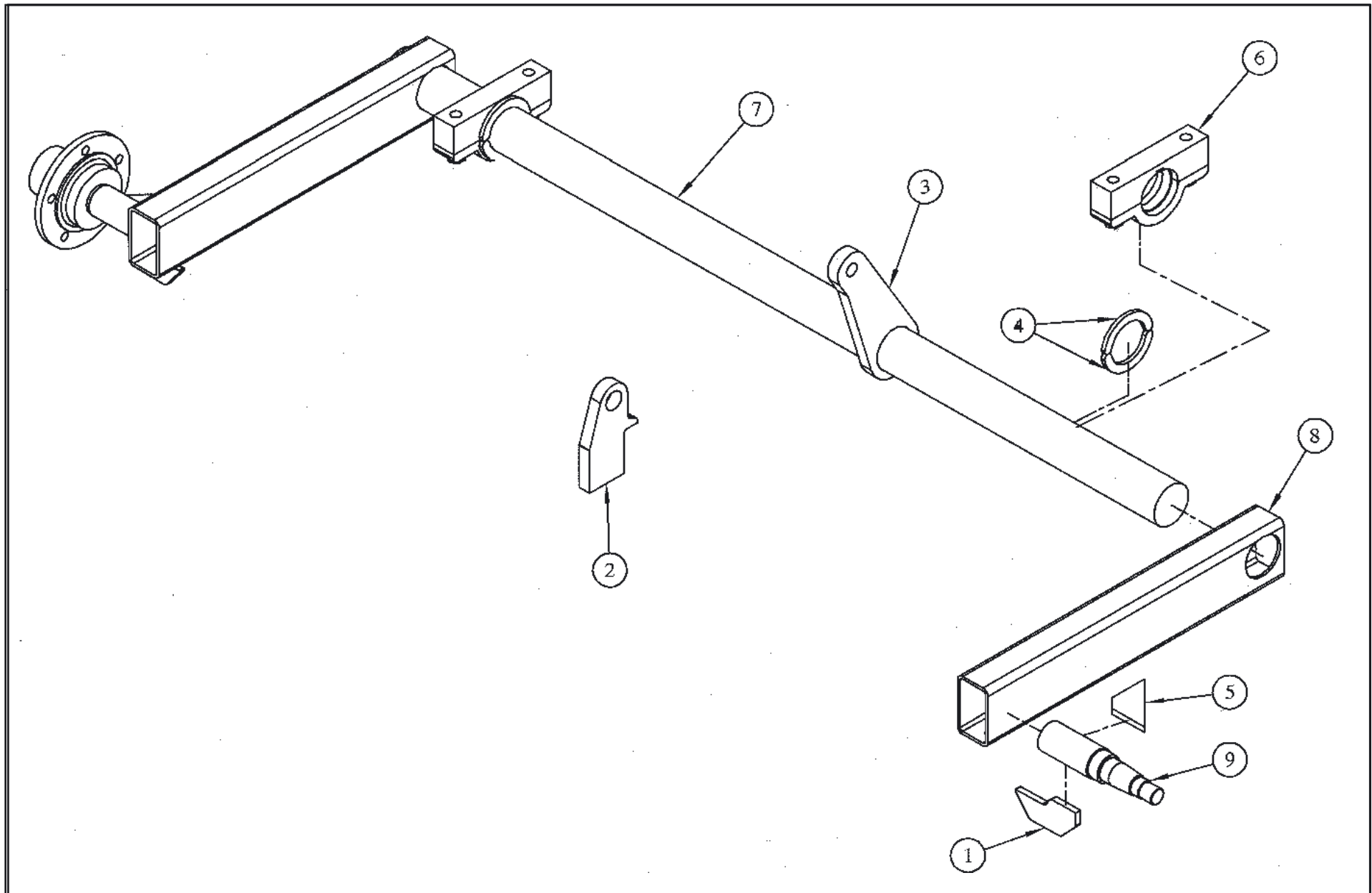
# Wheel Hub & Stub Assemblies 5 - 7 Tyne Linkage

Pos	Part No	Description	Qty
	GJMD0000	Depth Control Wheels	1
1	BBGAA000	Bearing for H50 & H60 Hub (Large)	2
2	BCJAA000	Bearing for H60 Hub (Small)	2
3	BNJBA000	Seal for H60 Hub 55id x 85od	2
4	FKCEA063	Cottor Pin 5mm x 63mm	2
5	FMASAK00	Flat Washer 32id x 54od x 3mm	2
6	BNJAA000	Dust Cover for H60 Hub	2
7	FABDA016	Set Screw M6 x 16 GR 8.8 Z/P~	6
8	FDBJA000	Wheel Stud 18mm x 50mm (H60 & H70)	1
9	FFCPA000	1-1/4" UNF Slotted Nut~	2
10	FFFJA000	18mm Wheel Nut	10
11	FMBDCB00	Spring Washer M6	6
12	WAJAA265	Round 60mm (265mm) Stub Axle	2
13	WJJBA002	Hub H60 Bare Machined Cast	2
14	WKJAA000	Cap for H60 Hub Cast	2
15	BMAAA000	Grease Nipple 1/4" UNF Thread	2
	<b>BAJAA000</b>	<b>H60 Bearing Kit</b> (Kit includes one of each item 1-5) One kit required per wheel assembly.	

Pos	Part No	Description	Qty



# Depth Control Wheel Arm Assemblies 5 - 7 Tyne Linkage

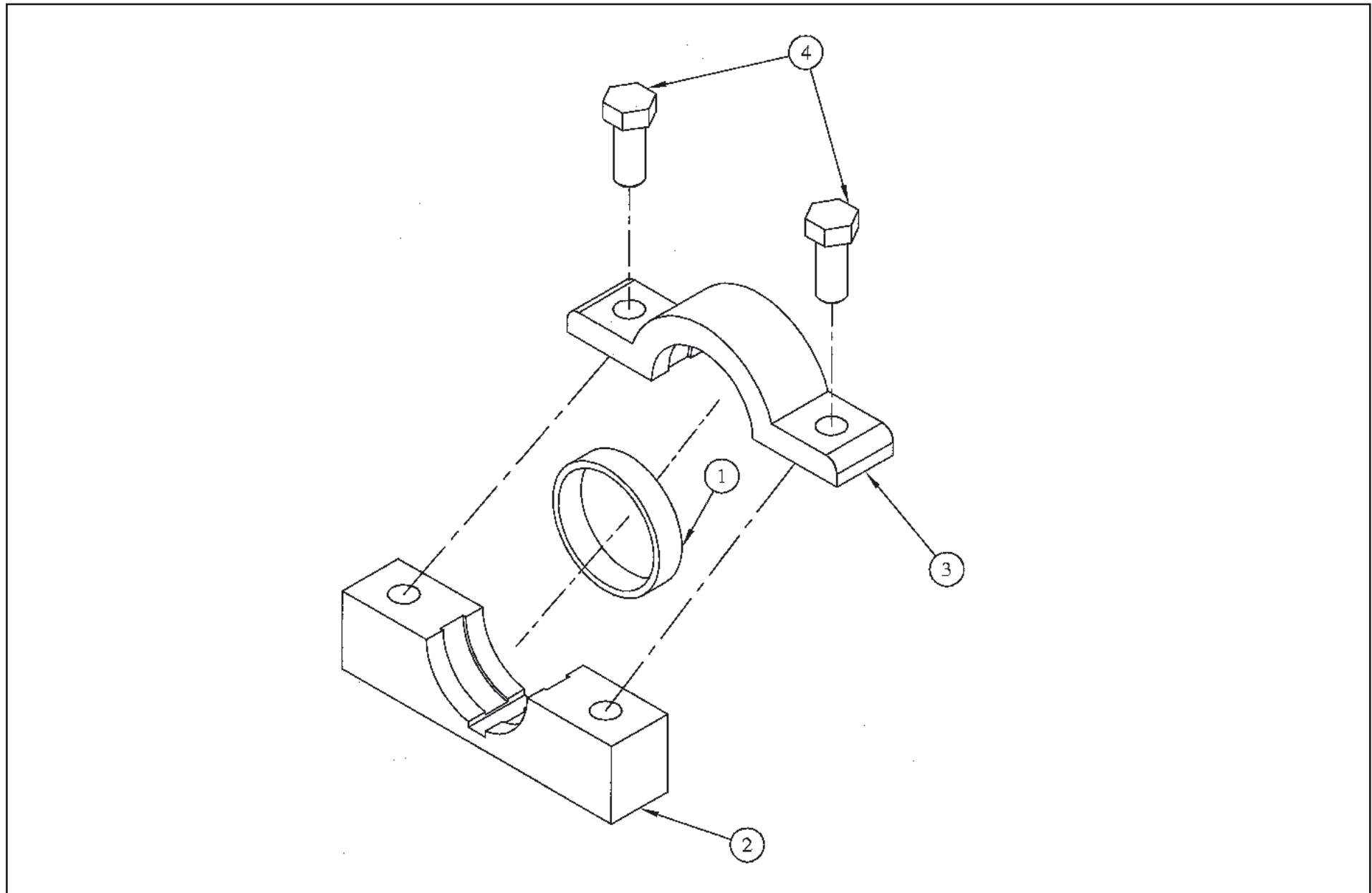


## Depth Control Wheel Arm Assemblies 5 - 7 Tyne Linkage

Pos	Part No	Description	Qty
1	CAEEG000	Plate 12mm Gusset for Stub Axle	2
2	CBBMM000	Plate 25mm Ram Lug	1
3	CBENM000	Plate 25mm Shaft Ram Arm Lug	1
4	CGEEE000	Plate 8mm Wheel Leg Retainer	4
5	CJAZG000	Plate 12mm Triangle Gusset 100mm x 100mm	2
6	GNBEH000	Shaft Clamp Assembly	2
7	MDDNB900	Round 85mm (1900mm) Shaft	1
8	MKFNA730	RHS 125mm x 75mm x 6mm (730mm) Drilled	2
9	WAJAA265	Round 60mm (265mm) Stub Axle	2

Pos	Part No	Description	Qty

# Lift Assembly Shaft Clamp 5 - 7 Tyne Linkage



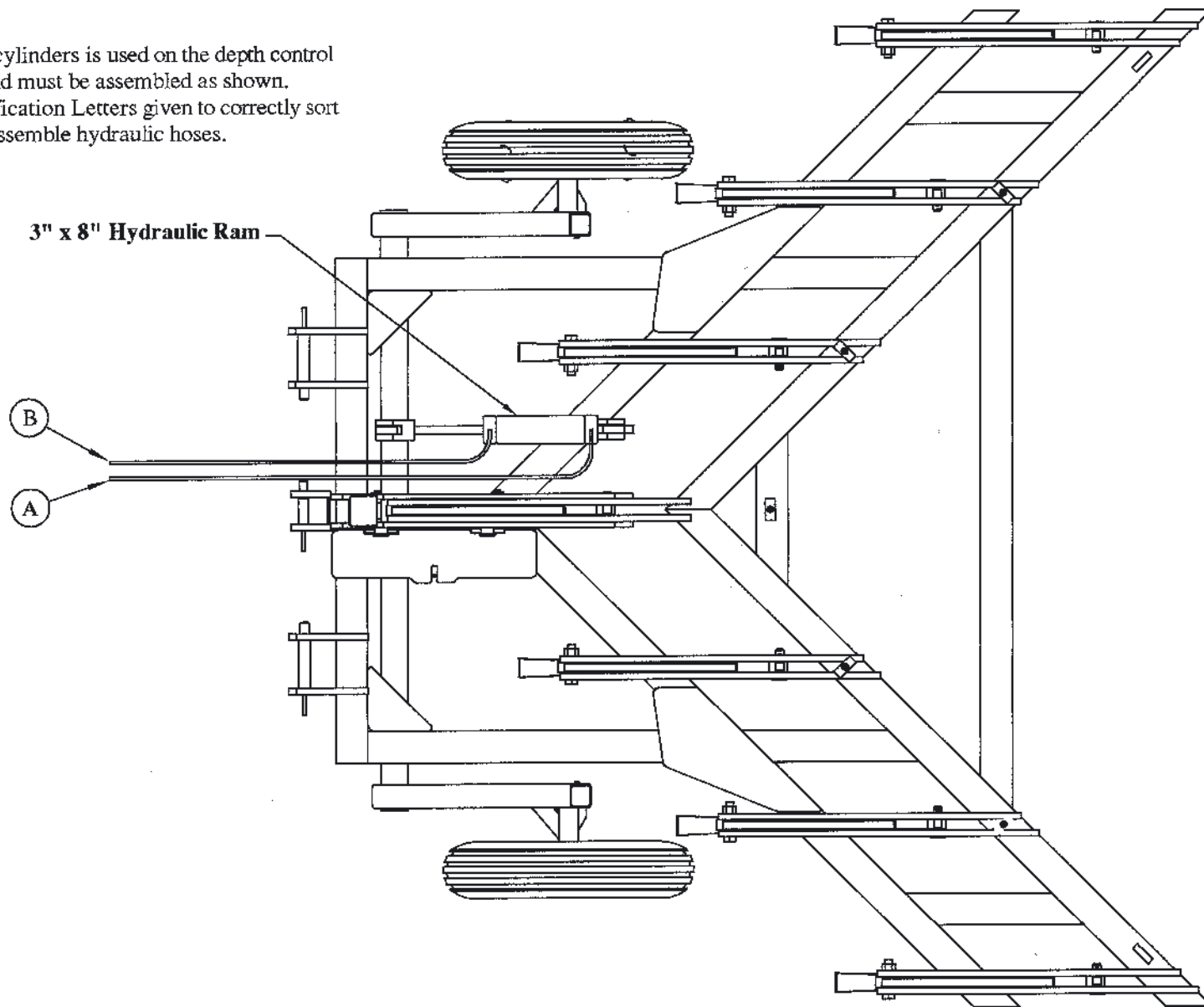
# Lift Assembly Shaft Clamp 5 - 7 Tyne Linkage

Pos	Part No	Description	Qty
	GNBEH000	LIFT ASSEMBLY SHAFT CLAMP	1
1	BMNTA020A	Vesconite Bush 85id x 95od (20mm)	1
2	CGEEU000	Plate 50mm Shaft Clamp Bottom	1
3	CGEEU001	Plate 50mm Shaft Clamp Top	1
<b>Note:</b> Items 2 & 3 are supplied as a matched pair.			
4	FABJA050	Bolt M20 x 50 GD 8.8 Z/P H/T~	2

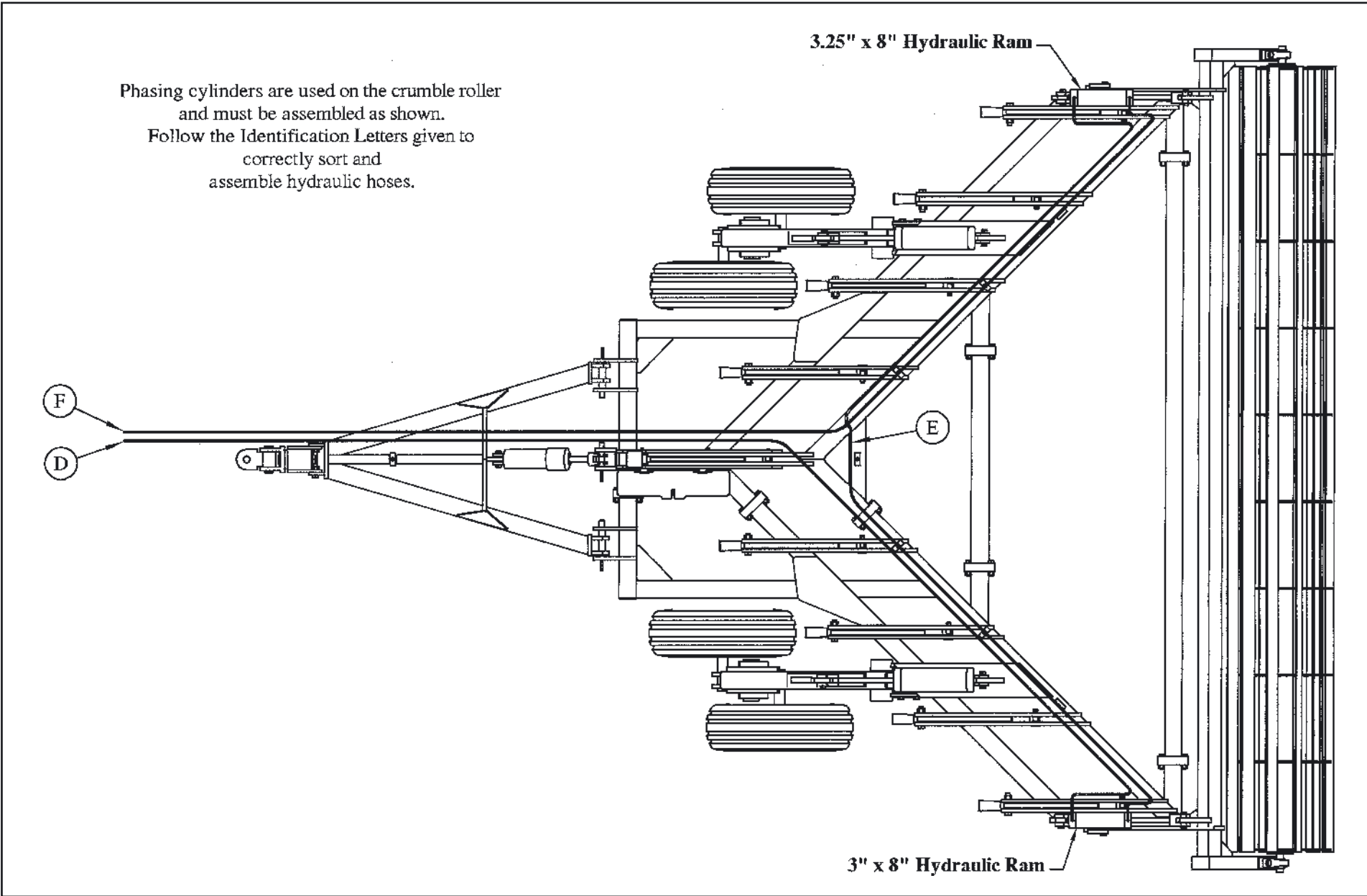
Pos	Part No	Description	Qty

# Hydraulic Plumbing Diagram 5 - 7 Tyne Linkage

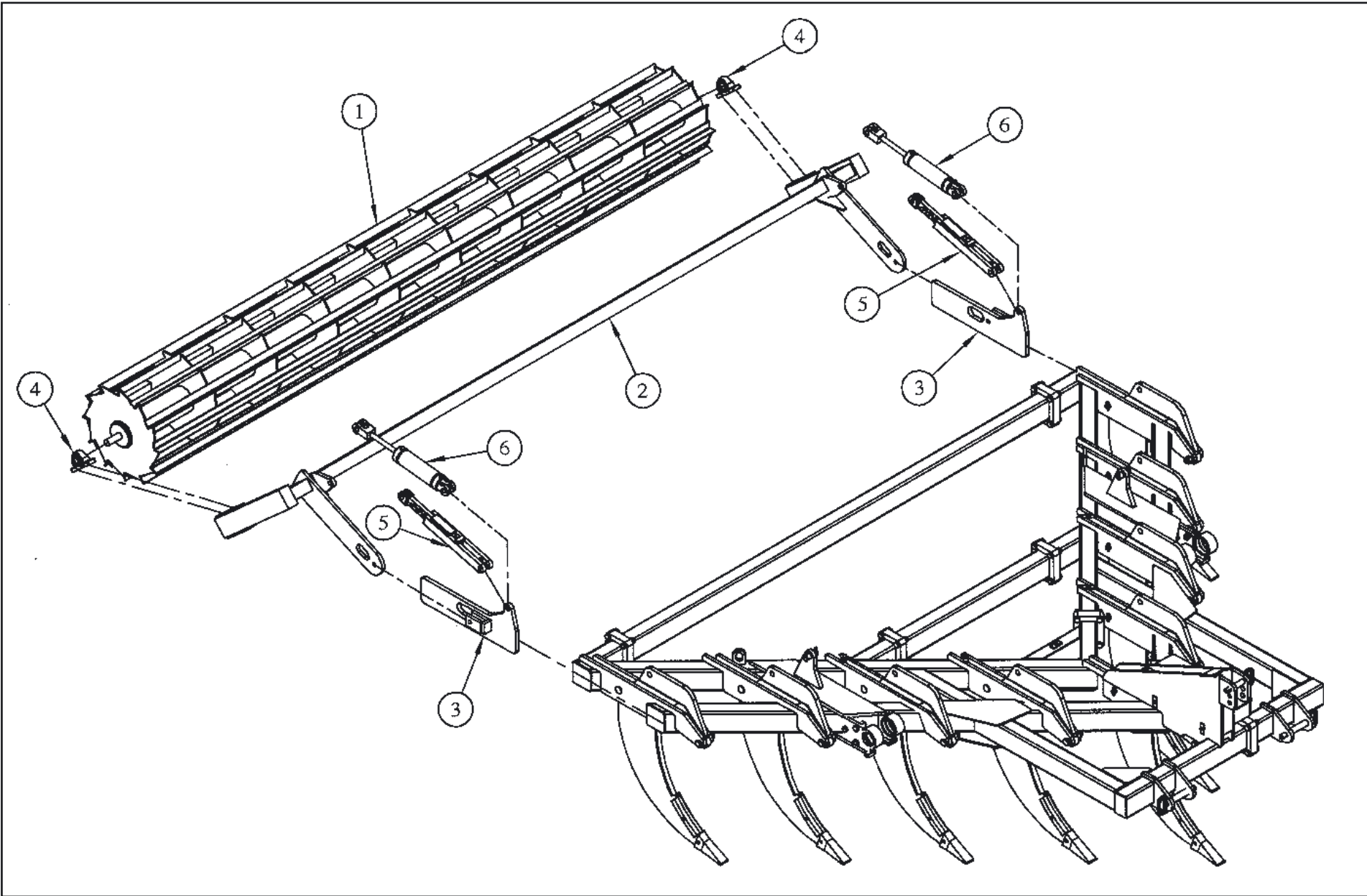
A double acting cylinders is used on the depth control wheel leg and must be assembled as shown.  
Follow the Identification Letters given to correctly sort and assemble hydraulic hoses.



# Hydraulic Plumbing Diagram for Crumble Roller



# Crumble Roller Assembly 5 - 9 Tyne Linkage



# Crumble Roller Assembly 5 - 9 Tyne

Pos	Part No	Description	Qty
1	*	Crumble Roller Drum Assembly	1
2	*	Link Arm Assembly for Crumble Roller	1
3	GNBRM014	Mounting Brackets Assembly (Pair)	1
4	BZJEA056	Bearing 1-1/2" Pillar Block used on the Crumble Roller	2
<b>Height Adjustment Options</b>			
5	GNBRM007	Roller Link Height Adjuster Assembly OR	2
6	GNBRM013	Ripper Crumble Roller Hydraulic Kit	1
	*	Indicates that Part Numbers for these Assemblies change with the size of the Rippers.	

Pos	Part No	Description	Qty



# Decals



A

**DEEP  
DIGGER**

B



C



H

International Standards  
Certifications  
Lic. No. QAC/R61/0133

**GRIZZLY**

D



G

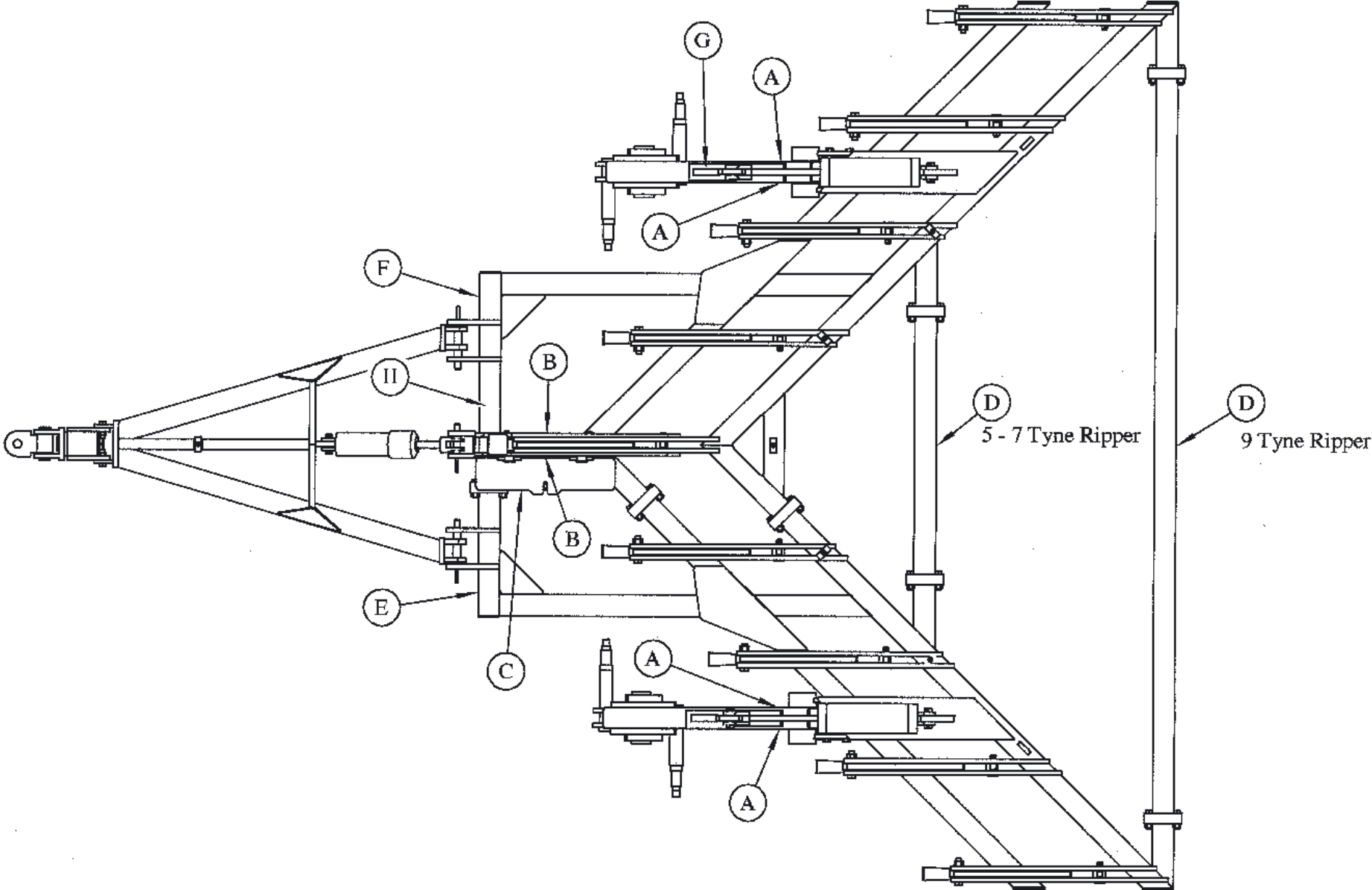


E



F

# Decal Locations



# Parts Index

## B

BAJAA000 41, 43, 45, 51  
BBGAA000 45, 51  
BCJAA000 45, 51  
BDGAA001 41, 43  
BDMZA000 41, 43  
BJEGA035 39  
BMAAA000 45, 51  
BMNTA020A 55  
BNJAA000 45, 51  
BNJBA000 45, 51  
BXSVA000 39  
BXSVA085 39  
BZJEA056 59

## C

CAEEG000 53  
CBBMM000 53  
CBBNM008 37  
CBBNM009 37  
CBENJ003 41, 43  
CBENM000 53  
CDEUU000 41, 43  
CGCFH001 39  
CGEEE000 53  
CGEEU000 55  
CGEEU001 55  
CJAZG000 53

## F

FABDA016 45, 51  
FABJA050 55  
FABJA065 41, 43  
FABJA080 39  
FABJA200 41, 43  
FDBJA000 45, 51  
FFAUA000A 39  
FFBJA000 39, 41, 43  
FFCPA000 45, 51  
FFFJA000 45, 51  
FFHVA001 39  
FGBFA120 39  
FGBKA103 33  
FGFMA235 37  
FGFPA160 37  
FGFRA235 37  
FGHPA072/\_ 37  
FGHPA094 37  
FKAEA000 37  
FKBDA000 37  
FKBFA120 39  
FKCEA063 45, 51  
FMASAK00 45, 51  
FMBDCB00 45, 51

## G

GHNA0003 37, 39  
GJMD0000 51  
GJNC0002 41, 43, 45  
GNANJ001 41, 43  
GNBEH000 53, 55  
GNBRM007 59  
GNBRM013 59  
GNBRM014 59  
GNBXN000 41, 43, 45  
GNDMF000 39  
GNDMF001 39  
GNDMX000 39  
GPBAA000 39  
GPBAB000 39  
GPDCA000 39  
GPDCB000 39  
GPEBA000 39  
GPEBB000 39  
GPEFC000 39  
GPEFC001 39  
GPEFC002 39  
GPEFC003 39  
GPFBA000 39

## H

HY\_400/08 37

## M

MDDNB900 53  
MFAAA100 41, 43  
MFWYA065A 41, 43  
MKFNA730 53

## W

WAJAA265 51, 53  
WEJJK000 49  
WEJJT000 47  
WFCJR000 49  
WFEJV000 47  
WJJBA002 45, 51  
WKJAA000 45, 51  
WMJAA427 41, 43, 45  
WSJACB00 49  
WSJDDD00 47  
WZZJR000 49  
WZZJV000 47

