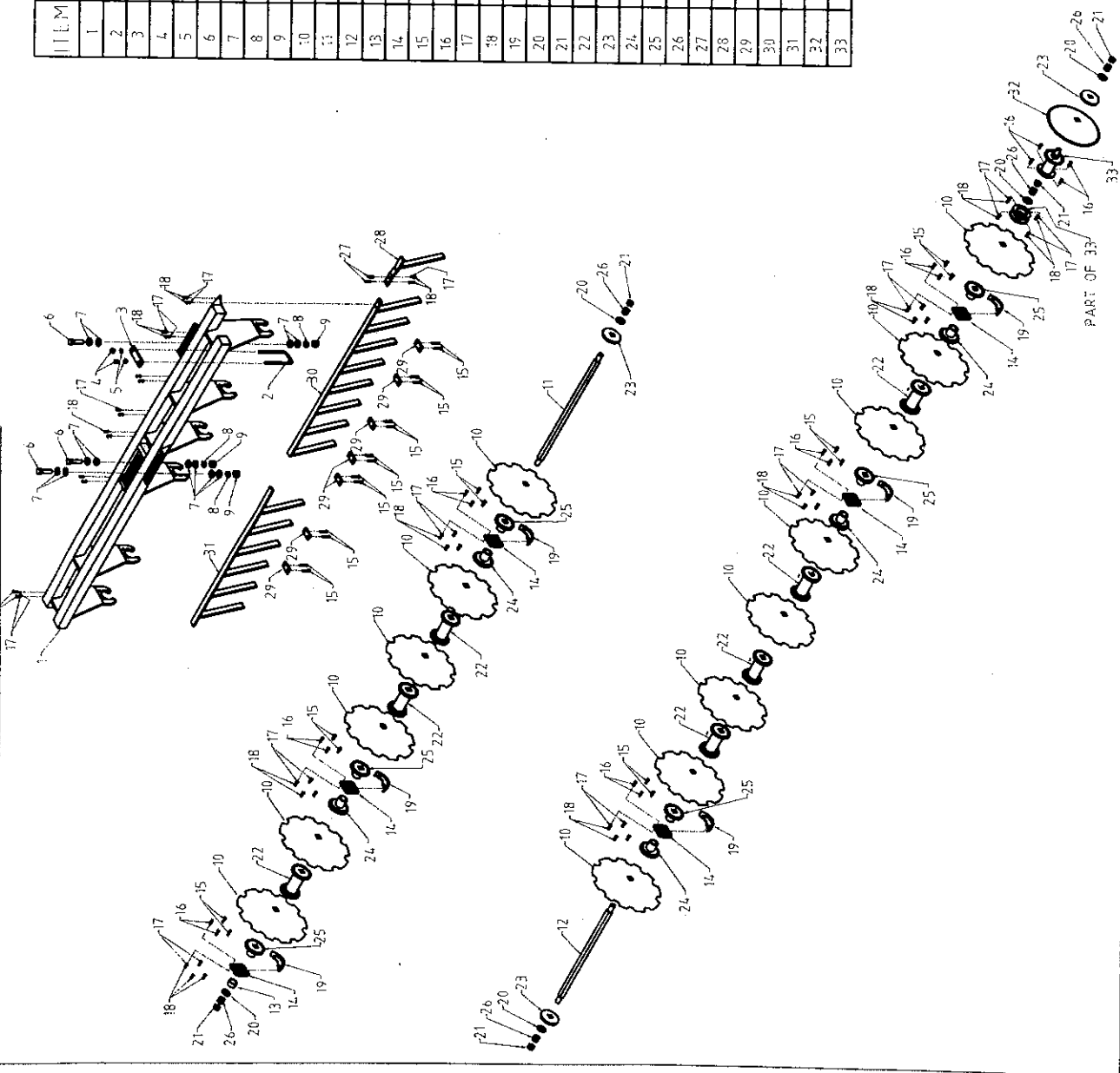


ITEM	PART NUMBER	DESCRIPTION
1	M0039960GA	360 28 PLATE BACK GANG FRAME
2	S-FA-B0-UC-0206	11-3/4x4-1/2x3/4"UNC ZP. "U" BOLT
3	M0301FL65-16	"U" BOLT PLATE
4	S-FA-NU-UC-0008	3/4"UNC ZP. NUT
5	S-FA-WA-SP-0009	3/4"SQ ZP. SPRING WASHER
6	S-FA-B0-UC-0803	GANG PIVOT BOLT 3-1/2x"UNC ZP.
7	S-FA-WA-FL-0008	"Z" ZP. FLAT WASHER
8	S-FA-WA-SP-0010	1" SQ ZP. SPRING WASHER
9	S-FA-NU-UC-0010	1"UNC ZP. NUT
10	S-DS-SC-0009	26"x6mm SCALLOPED DISC
11	M0043SQ40	B60-728&724 AXLE
12	M0016SQ40	B60-728 AXLE
13	M0024HB75-56	B60-700 SPACER
14	S-ME-BR-0054	SQUARE HANGER BEARING
15	S-FA-B0-UC-0405	BEARING HANGER PLATE BOLT 2-1/4x1/2"UNC ZP.
16	S-FA-B0-UC-0403	BEARING HANGER PLATE BOLT 1-3/4x1/2"UNC ZP.
17	S-FA-WA-SP-0006	1/2" SQ ZP. SPRING WASHER
18	S-FA-NU-UC-0005	1/2"UNC ZP. NUT
19	M0020B60PA	B60-700 BEARING GUARD
20	S-FA-WA-FL-0012	1-1/2" ZP. FLAT WASHER
21	S-FA-NU-UF-LO-2	1-1/2"UNF 12TPI ZP. LOCK NUT
22	M0055B60PA	B60-700 FULL DUMB BELL
23	MC0012PL20	B60&B350 END PLATE
24	M0034B60PA	B60 HALF DUMB BELL (CONCAVE)
25	M0035B60PA	B60 HALF DUMB BELL (CONVEX)
26	S-FA-NU-UF-0013	1-1/2"UNF 12TPI ZP. MACHINE NUT
27	S-FA-B0-UC-0404	BOLT ON TRASH BAR BOLT 2x1/2"UNC ZP.
28	M0025B60MS	B60-700 BOLT ON FILLER KIT TRASH BAR
29	MC006FL50-12	SCRAPER CLAMP
30	M0045B60MS	B60 28PL BACK GANG TRASH BAR
31	M0047B60MS	B60 24,28&32PL BACK GANG TRASH BAR
32	S-DS-P-L-0046	22"x5mm FILLER KIT PLAIN DISC
33	M0017B60PA	B60 FURROW FILLER KIT

ITEM	PART NUMBER	DESCRIPTION
AVAILABLE OPTIONS		
CUTTING DISC DETAILS		
10	S-DS-SC-0011	18" diam SCALLOPED DISCS
10	S-DS-SC-0012	18" diam SCALLOPED DISCS
BACKING DISC DETAILS		
20	S-DS-P-L-0045	20"x4mm BACKING DISCS (NOT SHOWN)
22	M0020B60PA	SHORTER FULL DUMB BELL (CONCAVE)
24	M0034B60PA	SHORTER HALF DUMB BELL (CONCAVE)
25	M0035B60PA	SHORTER HALF DUMB BELL (CONVEX)



NAME: B60-728	TYPE: SPARES	APPEARS IN BOOK :	TITLE: B60 28 PLATE REAR GANG ASSY	DRAWN: JS	DATE: 24/10/97	DRAWING No.:	REV.:
APPEARS IN BOOK :			SCALE: 150		DRAWING No.:		PAGE:
APPEARS IN BOOK :			TOLERANCE: +0.8		DRAWING No.:		PAGE:
APPEARS IN BOOK :			TOLERANCE: -0.8		DRAWING No.:		PAGE:
APPEARS IN BOOK :			TOLERANCE: +0.00		DRAWING No.:		PAGE:
APPEARS IN BOOK :			TOLERANCE: -0.17		DRAWING No.:		PAGE:
APPEARS IN BOOK :			TOLERANCE: Angular 1 deg.		DRAWING No.:		PAGE:
APPEARS IN BOOK :			TOLERANCE: Linear ±0.00		DRAWING No.:		PAGE:
APPEARS IN BOOK :			TOLERANCE: Angular 1 deg.		DRAWING No.:		PAGE:

Unless Otherwise Stated All Dimensions Are in Millimetres

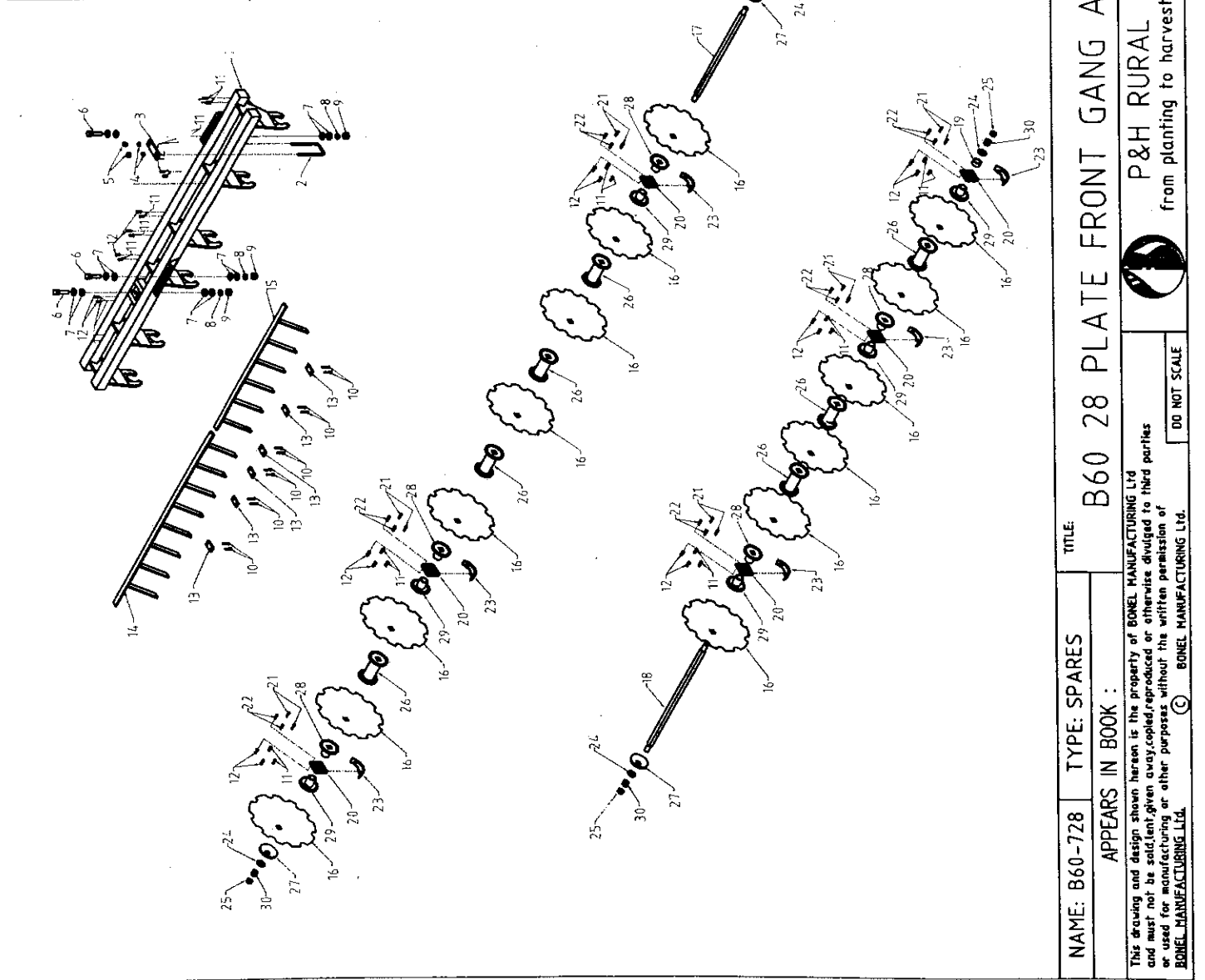
DO NOT SCALE

© BONEL MANUFACTURING LTD.

This drawing and design shown herein is the property of BONEL MANUFACTURING LTD and must not be sold, lent, given away, copied, reproduced or otherwise divulged to third parties or used for manufacturing or other purposes without the written permission of BONEL MANUFACTURING LTD.

ITEM	PART NUMBER	DESCRIPTION
1	M003B60GA	FRONT GANG FRAME 28 PLATE
2	S-FA-B0-UC-0206	1-1/4"x4-1/2"x3/4" UNC ZP. "U" BOLT
3	M0301F-65-16	"U" BOLT PLATE
4	S-FA-WA-SP-0009	3/4" SQ ZP. SPRING WASHER
5	S-FA-NU-UC-0008	3/4" UNC ZP. NUT
6	S-FA-B0-UC-0803	GANG PIVOT BOLT 3-7/2"x1" UNC ZP.
7	S-FA-WA-FL-0008	1" ZP. FLAT WASHER
8	S-FA-WA-SP-0010	1" SQ ZP. SPRING WASHER
9	S-FA-NU-UC-0010	1" UNC ZP. NUT
10	S-FA-B0-UC-0405	2-1/4"x1/2" UNC ZP. BOLT
11	S-FA-WA-SP-0006	1/2" SQ ZP. SPRING WASHER
12	S-FA-NU-UC-0005	1/2" UNC ZP. NUT
13	M0006FL50-12	SCRAPER CLAMP
14	M0048860MS	B60 28PL FRONT GANG TRASH BAR
15	M0046860MS	B60 24,28&32 PL FRONT GANG TRASH BAR
16	S-DS-SC-0009	26" x 6mm SCALLOPED DISC
17	M0016SQ40	B60-700 AXLE
18	M0043SQ40	B60-728&724 AXLE
19	M0024HB75-56	B60-700 SPACER
20	S-ME-BR-0054	SQUARE HANGER BEARING
21	S-FA-B0-UC-0405	BEARING/HANGER PLATE BOLT 2-1/4"x1/2" UNC ZP.
22	S-FA-B0-UC-0403	BEARING/HANGER PLATE BOLT 1-3/4"x1/2" UNC ZP.
23	M0020B60PA	B60-700 40mm SQ BEARING GUARD
24	S-FA-WA-FL-0012	1-1/2" ZP. FLAT WASHER
25	S-FA-NU-UF-LO-2	1-1/2" UNEF 12TPI ZP. LOCKING NUT
26	M0015B60PA	B60-700 FULL DUMB BELL
27	M00012PL20	B60 & B150 END PLATE
28	M0034B60PA	B60 HALF DUMB BELL (CONCAVE)
29	M0035B60PA	B60 HALF DUMB BELL (CONVEX)
30	S-FA-NU-UF-0013	1-1/2" UNEF 12TPI ZP. MACHINE NUT

ITEM	PART NUMBER	DESCRIPTION
CUTTING DISC DETAILS		
-6	S-DS-SC-0011	28" x 6mm SCALLOPED DISCS
-6	S-DS-SC-0012	28" x 8mm SCALLOPED DISCS
BACKING DISC DETAILS		
	S-DS-PL-0005	20" x 4mm BACKING DISCS (NOT SHOWN)
26	M0309B60PA	SHORTER FULL DUMB BELL (CONCAVE)
28	M0310B60PA	SHORTER HALF DUMB BELL (CONCAVE)
29	M0310B60PA	SHORTER HALF DUMB BELL (CONVEX)



NAME: B60-728 TYPE: SPARES APPEARS IN BOOK :

TITLE: B60 28 PLATE FRONT GANG ASSY

DATE: 23/10/97 SCALE: 1:50

DRAWN: I/S APPROVED: B/W/A/D

GENERAL TOLERANCES: Linear: ±0.10mm Angular: 1 deg.

OPEN MACHINING TOLERANCE: ±0.8

DEFAULT MACHINING TOLERANCE: ±0.17

UNLESS OTHERWISE STATED ALL DIMENSIONS ARE IN MILLIMETRES

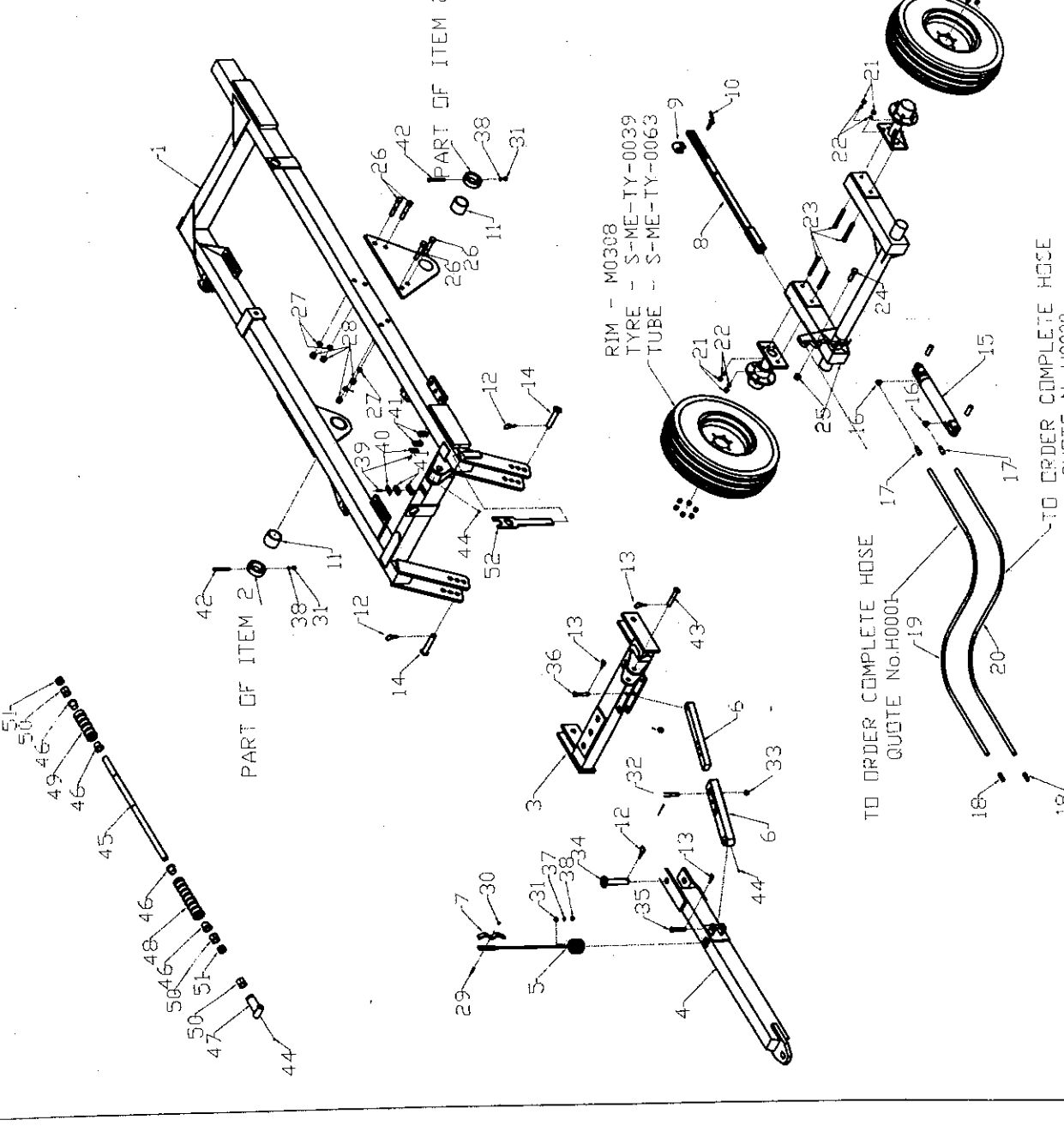
DO NOT SCALE

P&H RURAL from planting to harvesting

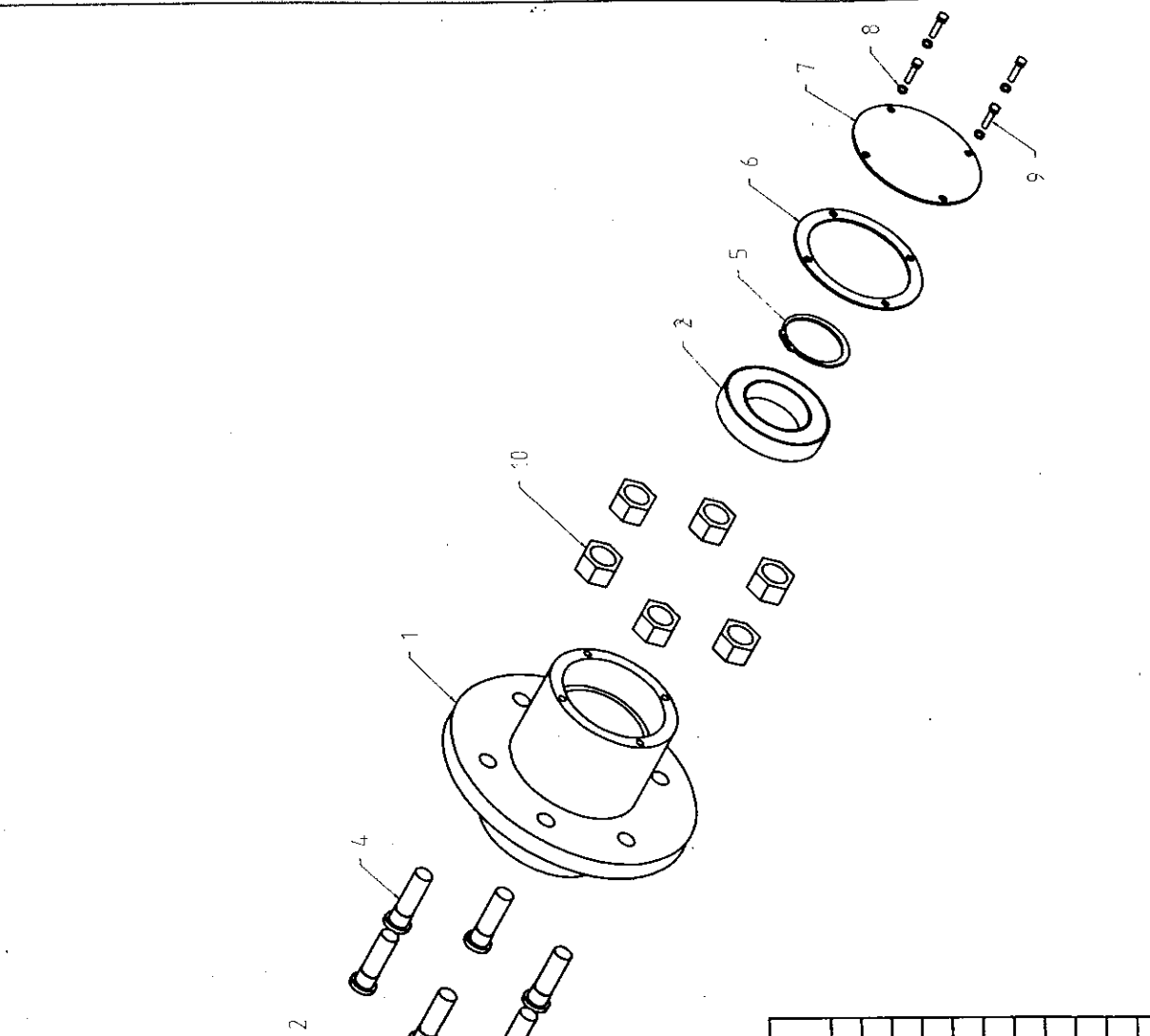
BONEL MANUFACTURING LTD

This drawing and design shown hereon is the property of BONEL MANUFACTURING LTD and must not be sold, lent, given away, copied, reproduced or otherwise divulged to third parties or used for manufacturing or other purposes without the written permission of BONEL MANUFACTURING LTD.

ITEM	PART NUMBER	DESCRIPTION
1	M0001B60MF	B60-700 MAIN FRAME
2	M0004B60MF	B60-700 AXLE & LEGS
3	M0003B60FA	B60-700 DRAWBAR HITCH
4	M0002B60FA	B60-700 DRAWBAR
5	M0010B60PA	B60-700 POGG STICK
6	M0005B60PA & M0399B150	B60-700 DRAWBAR STAY OUTER & INNER
7	M0300FL25-5	B60-700 HOSE CLAMP
8	M0008B60FA	B60-700 DEPTH GAUGE
9	M0305FL50-10	B60-700 DEPTH STOP
10	M0033B60PA	B60 DEPTH GAUGE PIN
11	M0004-SS10RE	B60-700 WHEEL LEG AUSTON BUSH
12	S-FA-PN-LY-0001	11x40mm D/BAR LYNCH PIN
13	S-FA-PN-LY-0002	6x40mm D/BAR & HEIGHT ADJUSTER LYNCH PIN
14	M0030B60PA	B60-700 DRAWBAR/MAIN FRAME PIN
15	S-HY-RA-SG-0304	WHEEL LEG HYDRAULIC CYLINDER
16	S-HY-FT-0419	W/LEG CYLINDER ELBOW FITTING
17	S-HY-FT-0021	HOSE END
18	S-HY-FT-0022	HOSE END
19	S-HY-FT-0853	HYDRAULIC HOSE 5200 LONG
20	S-HY-FT-0853	HYDRAULIC HOSE 4900 LONG
21	S-FA-NU-UC-0008	3/4" UNC ZP. NUT
22	S-FA-VA-SP-0009	3/4" SO ZP. SPRING WASHER
23	S-FA-BO-UC-0715	STUB AXLE MNT. BOLT 7x3/4" UNC ZP.
24	S-FA-BO-UC-0802	DEPTH STOP/RAH LUG BOLT 3x1" UNC ZP.
25	S-FA-NY-UC-0010	1" UNC ZP. NYLOC NUT
26	S-FA-BB-UC-0809	WHEEL LEG BOLT 6-1/2x1" UNC ZP.
27	S-FA-VA-SP-0010	1" SO ZP. SPRING WASHER
28	S-FA-NU-UC-0010	1" UNC ZP. NUT
29	S-FA-BO-UC-0202	POGG STICK/CLAMP BOLT 1-1/4x3/8" UNC ZP.
30	S-FA-NY-UC-0004	3/8" UNC ZP. NYLOC NUT
31	S-FA-NU-UC-0005	1/2" UNC ZP. NUT
32	S-FA-BO-UC-0711	D/BAR ADJUSTER BOLT 5x3/4" UNC ZP.
33	S-FA-NY-UC-0008	3/4" UNC ZP. NYLOC NUT
34	M0306B60PA	DRAWBAR PIVOT PIN
35	M0022B60PA	DRAWBAR SIDESHIFT ADJUSTER PIN
36	M0356B60PA	DRAWBAR SIDESHIFT TO DRAWBAR PIN
37	S-FA-VA-FL-0005	1/2" ZP. FLAT WASHER
38	S-FA-VA-SP-0006	1/2" SO ZP. SPRING WASHER
39	S-HY-FT-0005	45x8mm HYDRAULIC CLAMP BOLT
40	S-HY-FT-0004	HYDRAULIC CLAMP TOP PLATE
41	S-FA-BO-UC-0413	HYDRAULIC CLAMP MIDDLE SECTION
42	S-FA-BO-UC-0413	S-1/2x1/2" UNC ZP. RETAINING COLLAR BOLT
43	M0031B60PA	LEVELLING SCREW / DRAWBAR PIN
44	S-ME-FT-NJ-0034	GREASE NIPPLE 1/8" BSP STRAIGHT
45	M0007R03810BS	LEVELLING ROD
46	M0023HR853-40	SPRING RETAINER
47	M0006B60PA	LEVELLING ADJUSTER
48	S-ME-SP-0030	SPRING (18mm)
49	S-ME-SP-0025	SPRING (15mm)
50	S-FA-NU-BV-0012	1/2" BSW 6TPI ZP. NUT
51	S-FA-NU-BV-LD-2	1/2" BSW 6TPI ZP. LOCKING NUT
52	M0014PL12B1S	SPANNER



DATE	REV	SIGNED	REV	REVISION DESCRIPTION / REASON
<b>B60-720 MAIN FRAME ASSEMBLY</b>				
NAME: B60-720 TYPE: SPARES		APPEARS IN BOOK:		
TITLE		DRAWN IJS		
DATE 20/10/97		APPROVED B.V/A/D		
SCALE 1:40		OPEN MACHINING TOLERANCE +0.8 -0.8		
DRAWING No. A0021B60MF 01		GENERAL TOLERANCE Linear: 1mm Angular: 1 deg. DEFAULT MACHINING TOLERANCE +0.00 -0.17		
 <b>P &amp; H RURAL</b> from planting to harvesting				
This drawing and design shown herein is the property of BONEL MANUFACTURING Ltd and must not be sold, lent, given away, copied, reproduced or otherwise divulged to third parties or used for manufacturing or other purposes without the written permission of BONEL MANUFACTURING LTD.				
DO NOT SCALE				



ITEM	PART NUMBER	DESCRIPTION
1	M0013B60PA	B60-700 LANDROVER WHEEL HUB
2	S-ME-BR-0084	HUB BEARING
3	S-ME-SE-0042	SEAL
4	S-ME-ST-0003	9/16" UNF LONG LANDROVER STUD
5	S-FA-CC-EX-0012	EXT A55 CIRCLIP
6	MC0070STORE	LANDROVER HUB GASKET 1.6mm THK
7	S-ME-WH-CO-0001	DUST COVER
8	S-FA-WA-SP-0002	1/4" SQ ZP. SPRING WASHER
9	S-FA-BO-UC-0001	3/4x1/4" UNF ZP.BOLT
10	S-ME-WH-0300	9/16" UNF WHEEL NUTS
11	M0009B60PA	B60-700 STUB AXLE

DATE	20/10/97	SCALE	1:5	DATE	20/10/97	SCALE	1:5
DRAWN	LJS	APPROVED	B.W/A.D	DRAWING No.	A0015B60SA	PAGE	01
NAME:	B60-700	TYPE:	SPARES	TITLE:	B60-700 STUB AXLE/HUB ASSEMBLY		
APPEARS IN BOOK :				<b>P&amp;H RURAL</b> from planting to harvesting			
This drawing and design shown hereon is the property of BONEL MANUFACTURING LTD and must not be sold, lent, given away, copied, reproduced or otherwise divulged to third parties or used for manufacturing or other purposes without the written permission of BONEL MANUFACTURING LTD.				GENERAL TOLERANCES Linear: ±0.1mm Angular: ±1 deg.			
OPEN MACHINING TOLERANCE +0.8 -0.8				DEFAULT MACHINING TOLERANCE +0.00 -0.17			